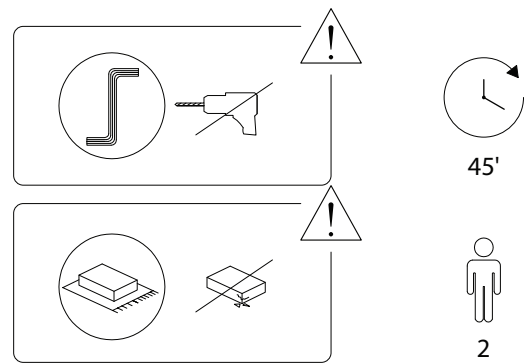
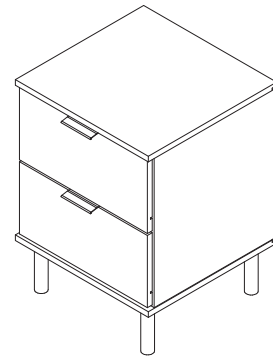
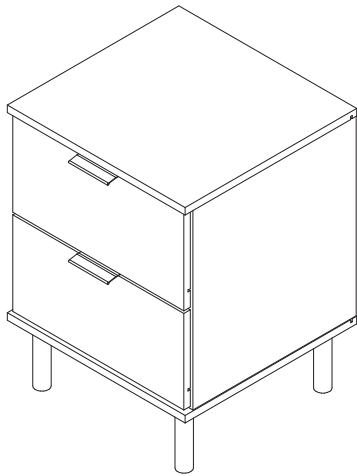
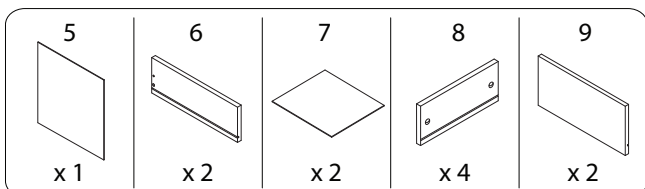
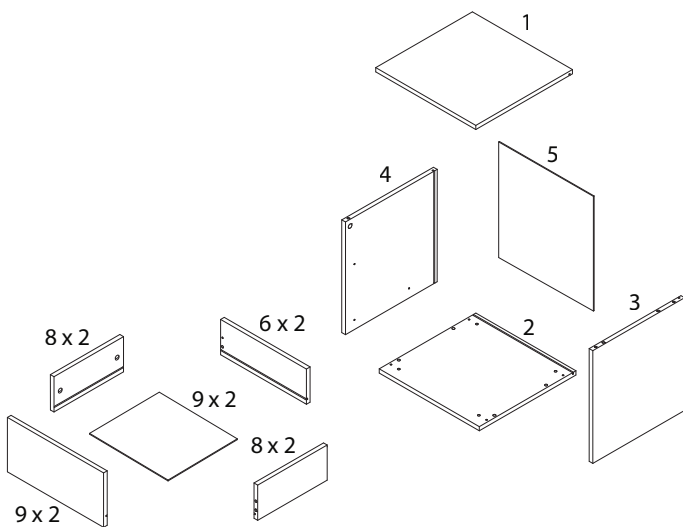
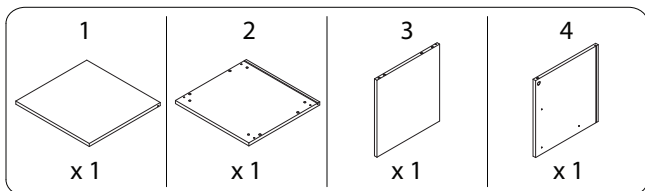


# WALPOLE








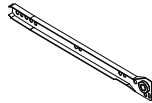
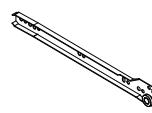
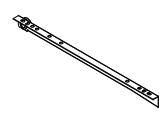
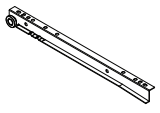




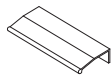

1/11

2368/WALPOLE/291024/



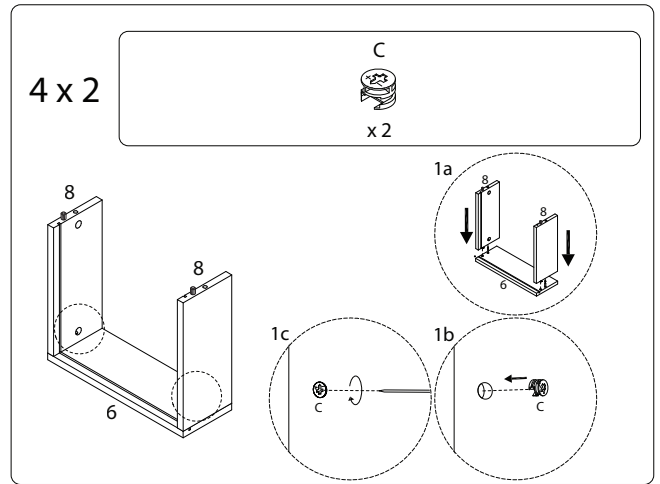
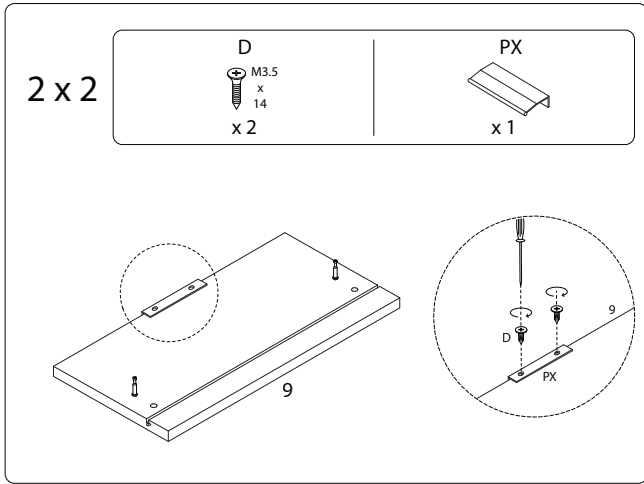
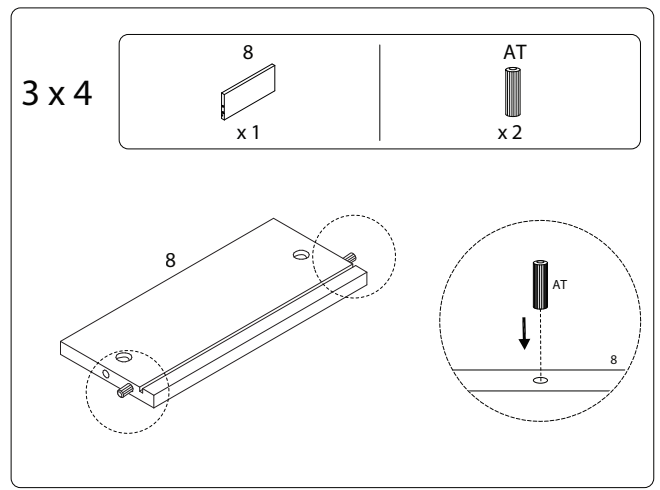
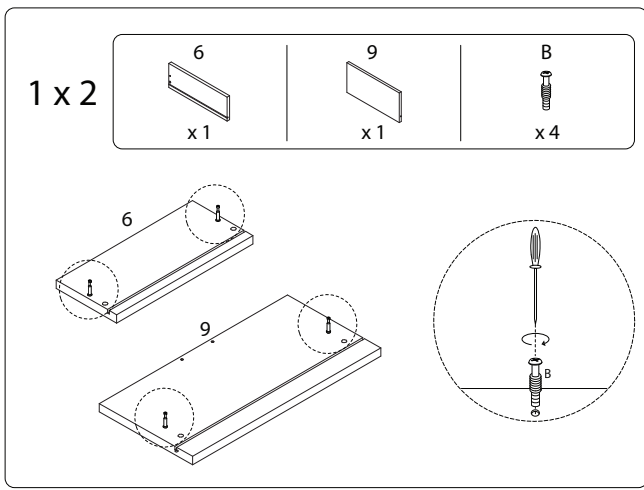
2/11

2368/WALPOLE/291024/

<b>AT</b>  x 16	<b>AZ</b>  x 1	<b>B</b>  x 12
<b>C</b>  x 12	<b>CA</b>  M3 x 16 x 4	<b>CR1</b>  x 2
<b>CR2</b>  x 2	<b>CR3</b>  x 2	<b>CR4</b>  x 2
<b>D</b>  M3.5 x 14 x 20	<b>DZ</b>  M7 x 50 x 4	<b>E</b>  M4 x 40 x 4
<b>PE</b>  x 4	<b>PX</b>  x 2	<b>U</b>  x 4

3/11

2368/WALPOLE/291024/

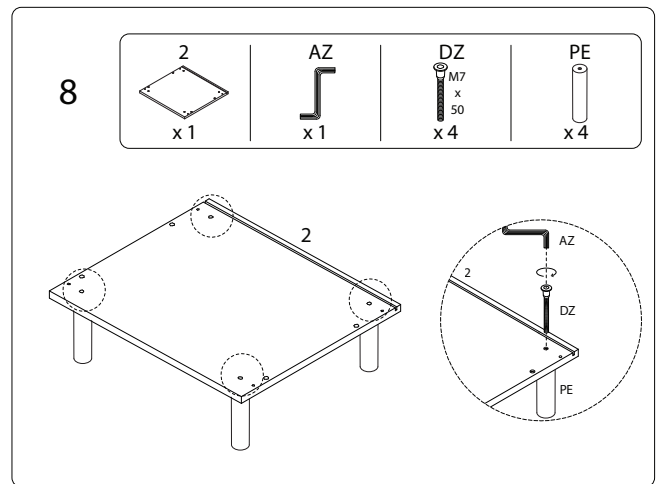
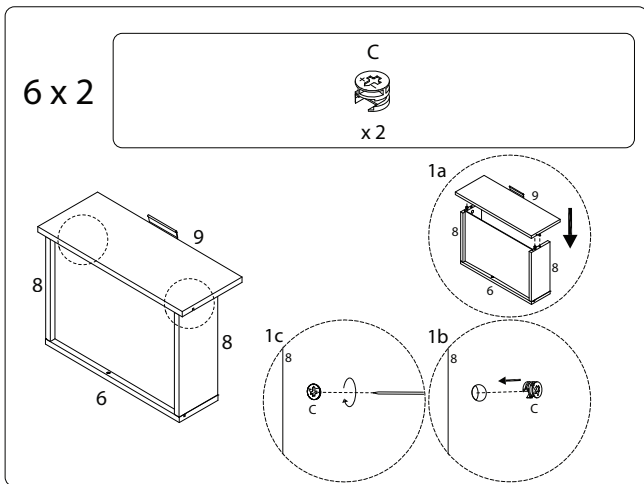
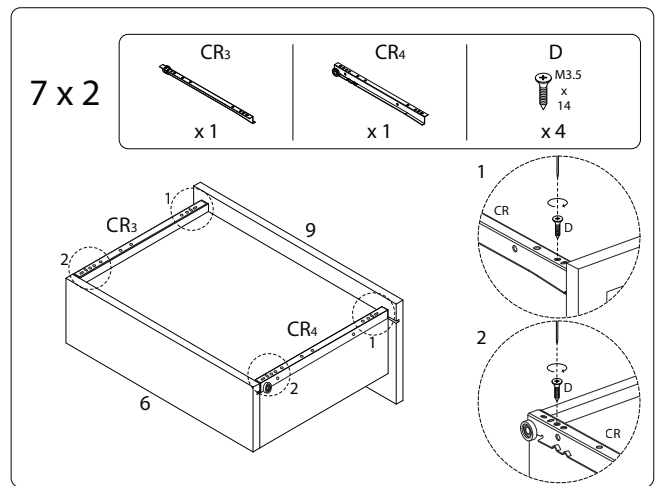
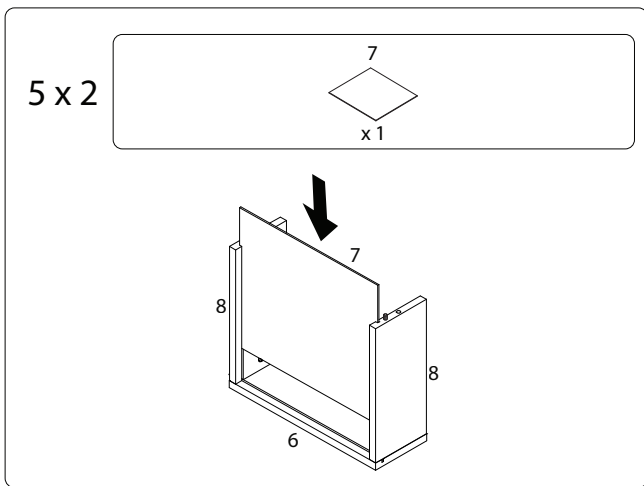


4/11

2368/WALPOLE/291024/

5/11

2368/WALPOLE/291024/

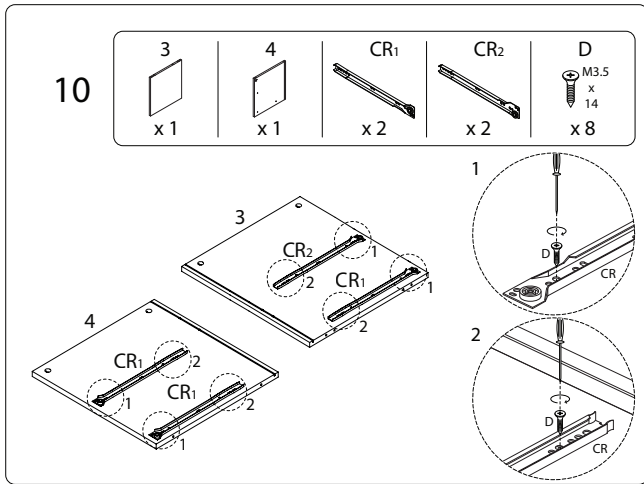
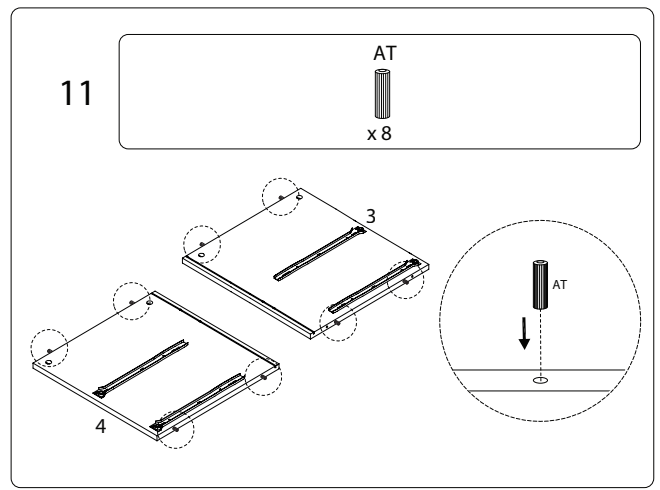
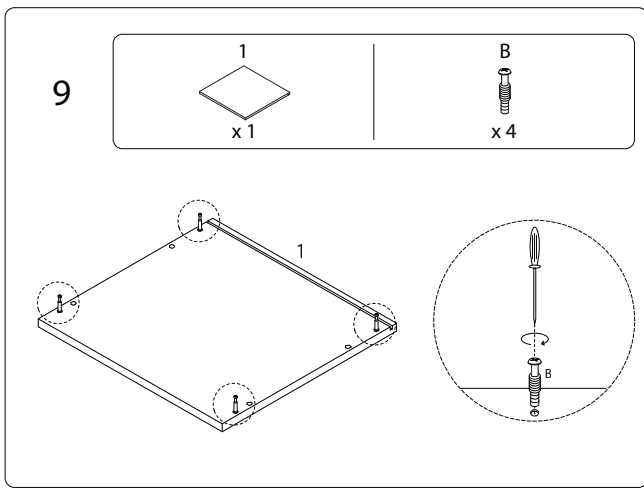


6/11

2368/WALPOLE/291024/

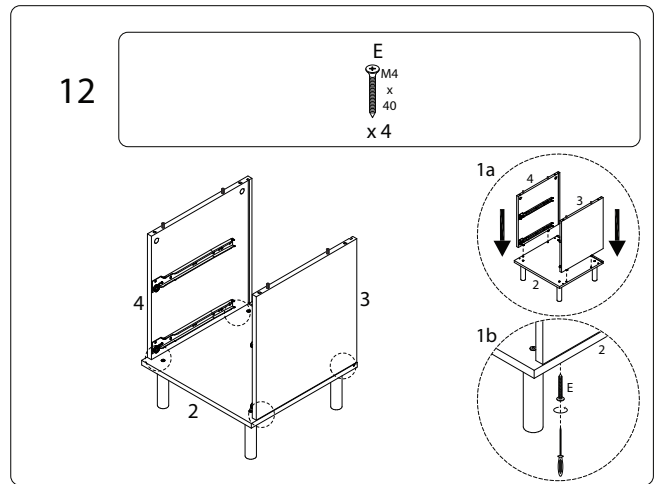
7/11

2368/WALPOLE/291024/



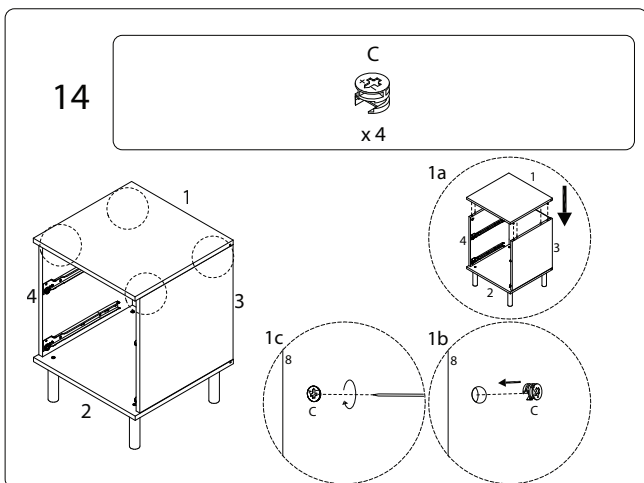
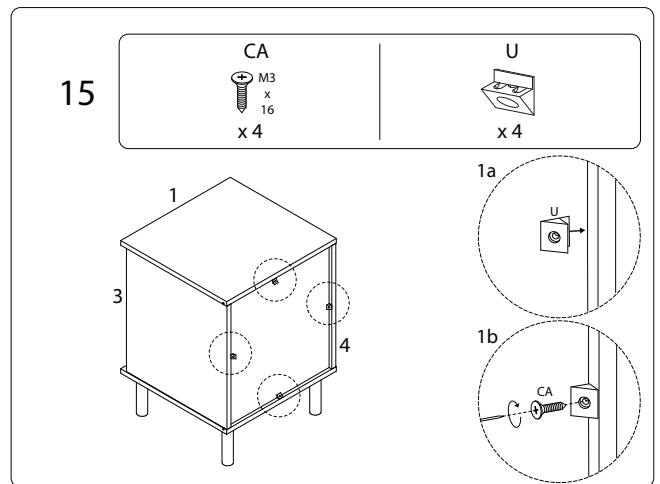
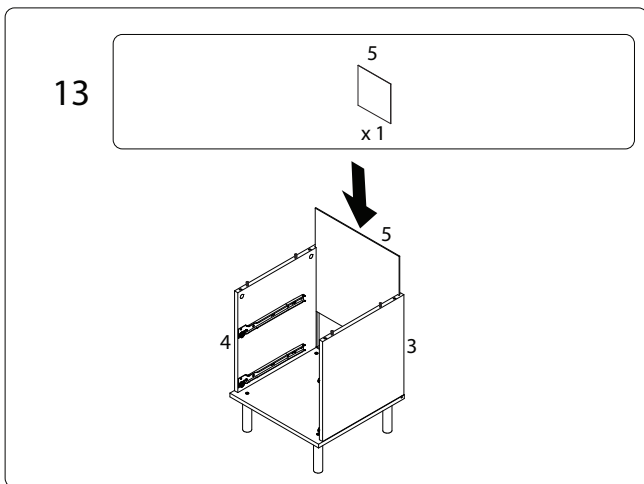
8/11

2368/WALPOLE/291024/



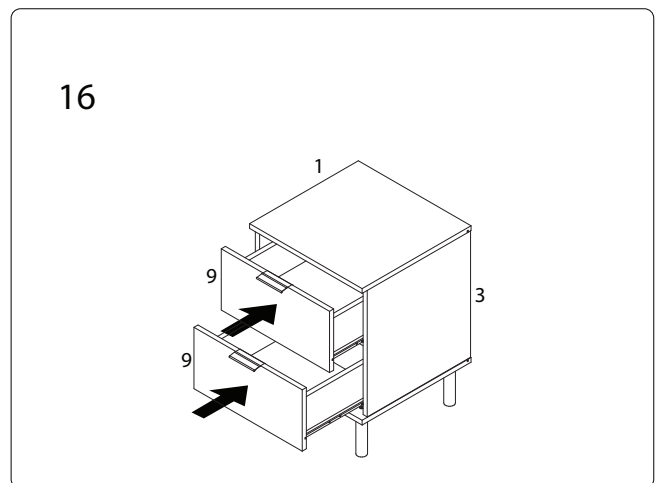
9/11

2368/WALPOLE/291024/



10/11

2368/WALPOLE/291024/



11/11

2368/WALPOLE/291024/