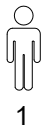


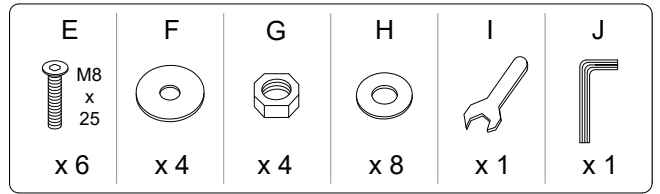
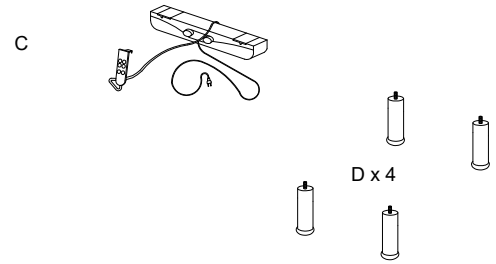
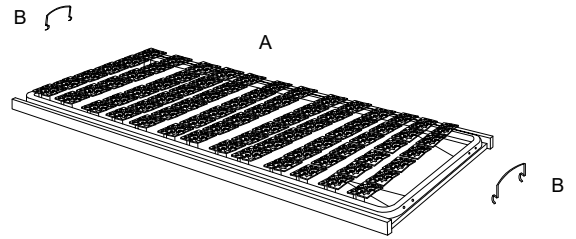
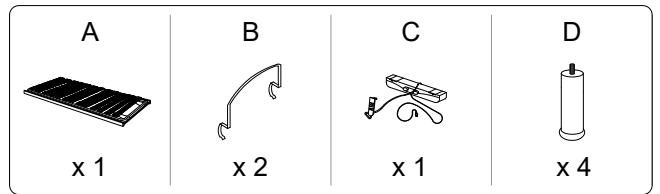
20'



1

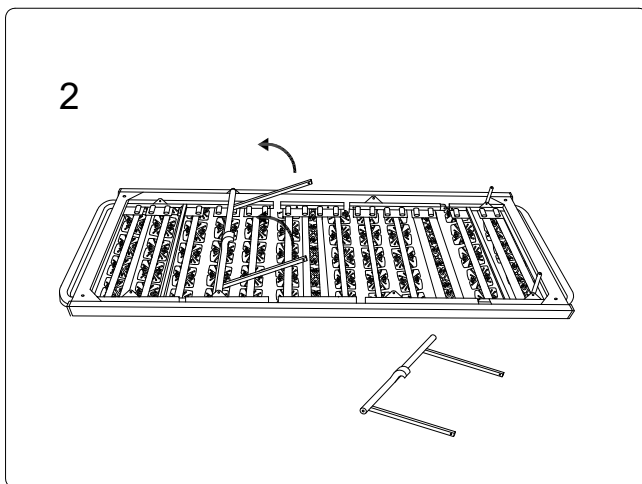
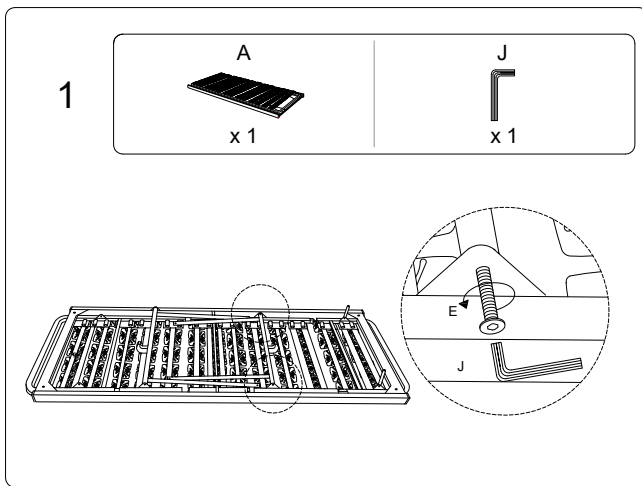
1/6

158/STAR.ELECTRIC/240417



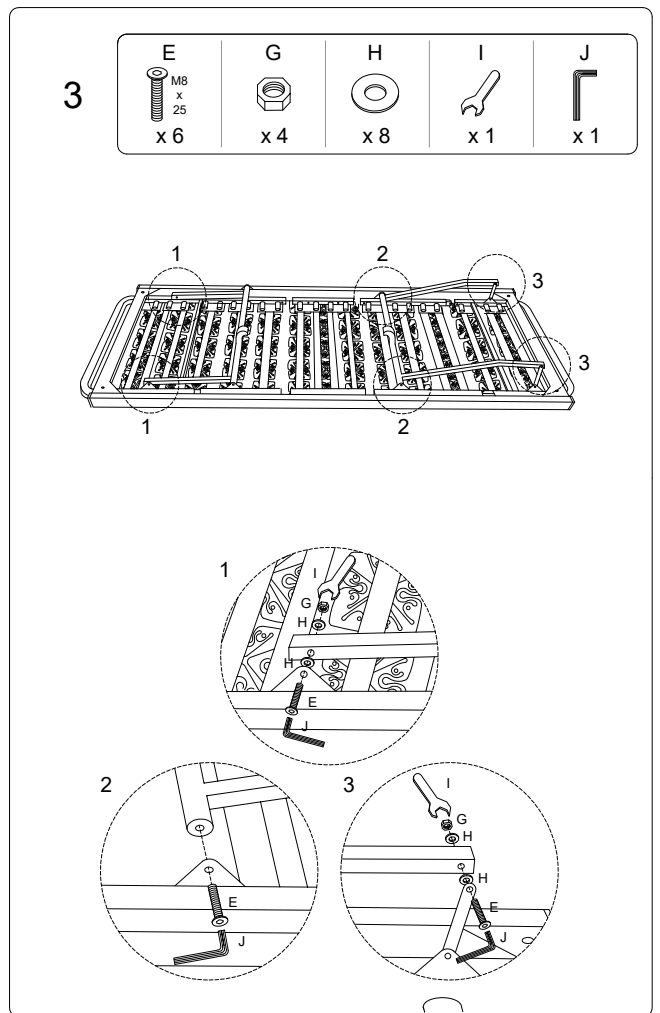
2/6

158/STAR.ELECTRIC/240417



3/6

158/STAR.ELECTRIC/240417



4/6

158/STAR.ELECTRIC/240417

4

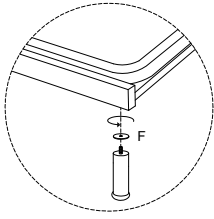
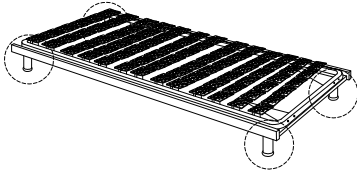
D

x 4



F

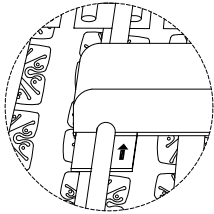
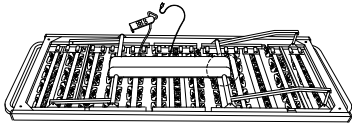
x 4



5

C

x 1

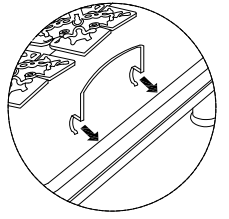
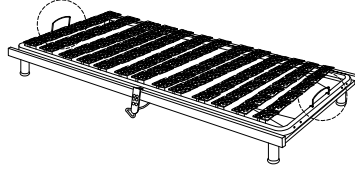


5/6

6

B

x 2



6/6