





# ASSEMBLY INSTRUCTION

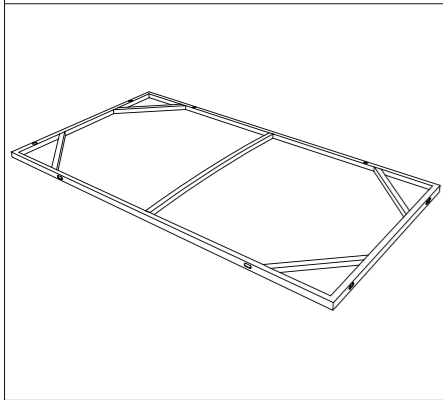
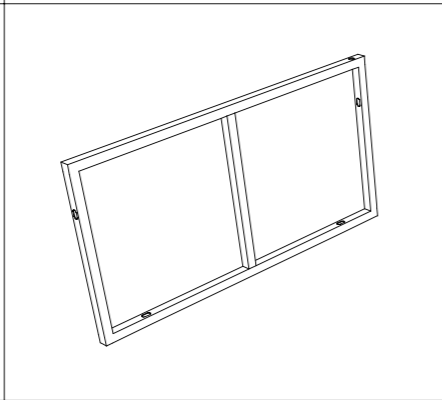
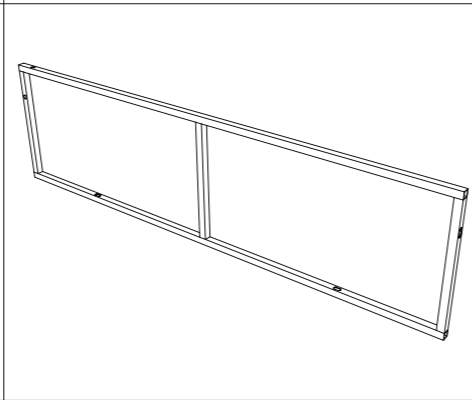
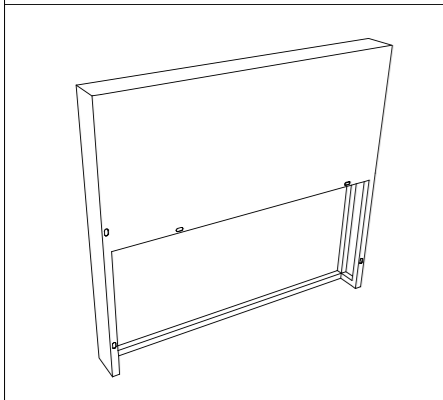
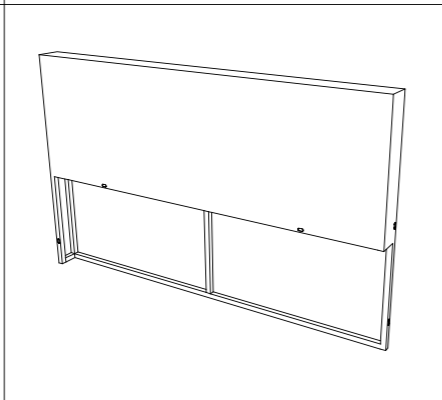
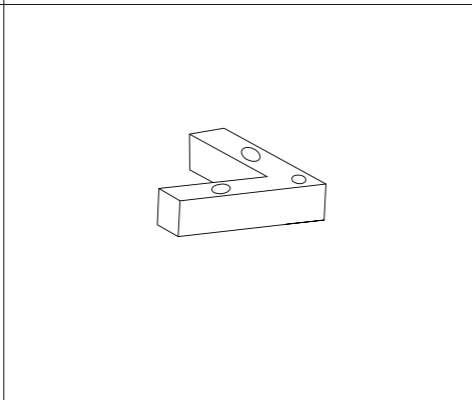
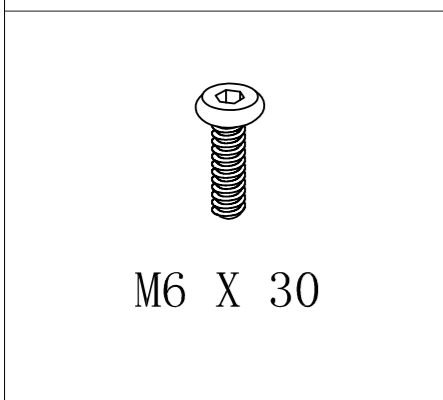
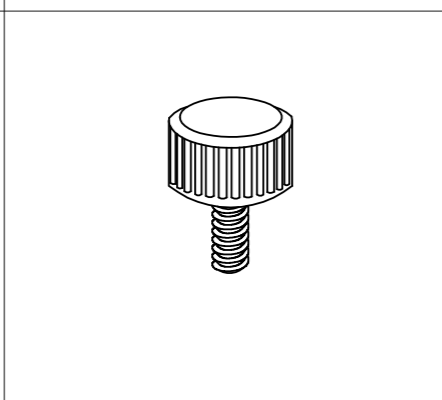
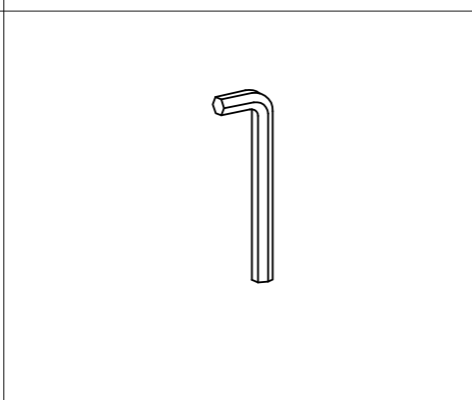
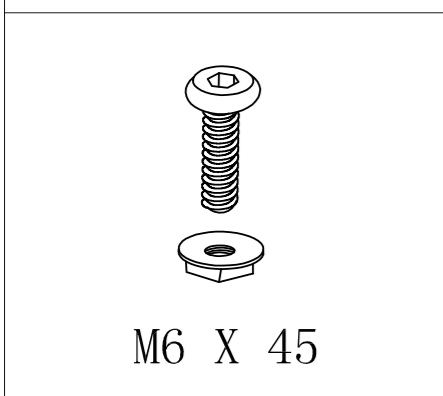
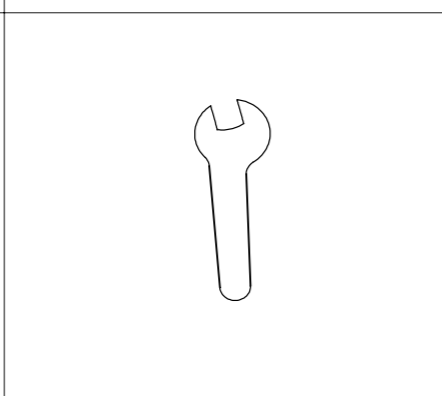
## Customer Service

1. This product will be divided into **4 cartons** for delivery, they may arrive at different times, please wait patiently. We feel sorry for the inconvenience.
2. Please read the instructions fully before assembly. These instructions include important information which could ensure correct assembly. We have been working on providing high quality products for you. However, in the rare instance that your product is defective, missing parts or there are some issues, please don't hesitate to contact our customer service to submit parts requirements, assembly suggestion, or warranty claims, and we will give the best solution as soon as possible. If necessary, we need you to provide some more clear pictures of the issue.
3. **Assembly tips:** Insert the screws in holes and tighten the screws, but not too tight, 50% is OK, finally tighten all the screws. If some issues happened that some screws can not target to the hole or some parts are difficult to install, please adjust the tightness of the screws.
4. 2 people are recommended to finish this sofa set.



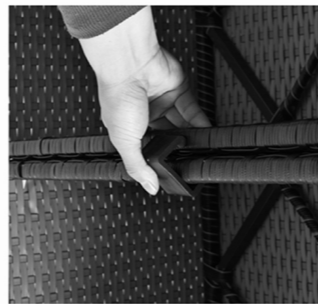
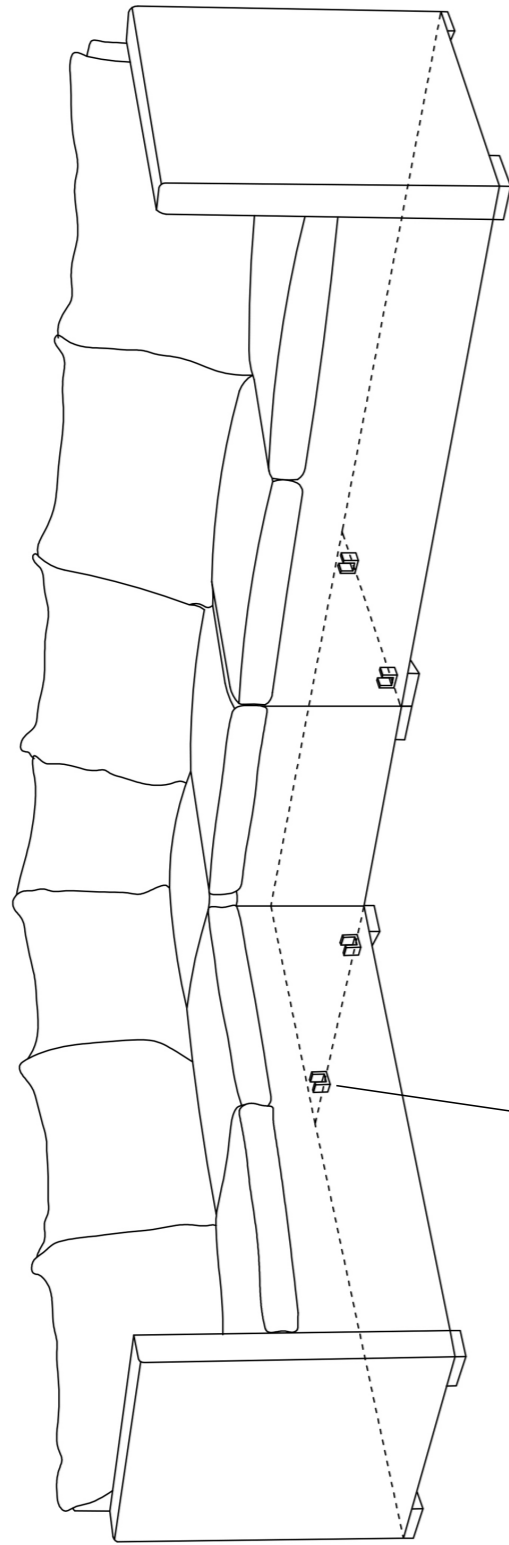
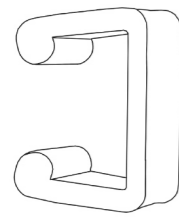
Carton NO.	SKU	Name	Picture
1	WF300177AAA	Left Sofa Screws Assembly Instruction	
2	WF300178AAA	Right Sofa Screws	
3	WF300179AAA	Corner Sofa Screws	
4	WF300181AAA	Coffee Table 2 stools, Screws	

# Left sofa

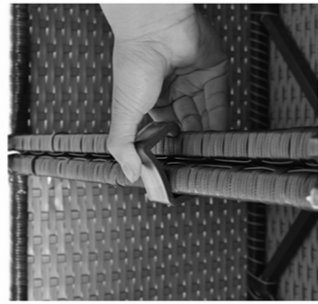
I	1pc	J	1pc	K	1pc
					
L	1pc	M	1pc	B	4pcs
					
C	13pcs	D	4pcs	E	1pc
 <p>M6 X 30</p>					
N	8pcs	O	1pc		
 <p>M6 X 45</p>					

T

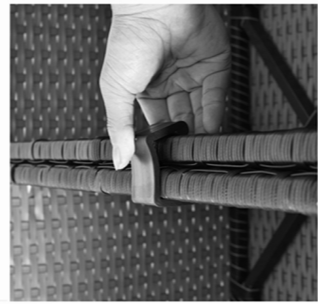
4pcs



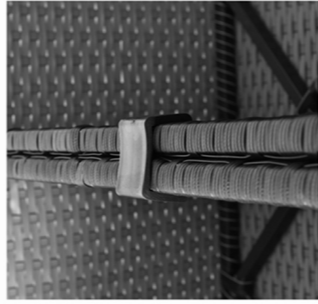
Step 1



Step 2

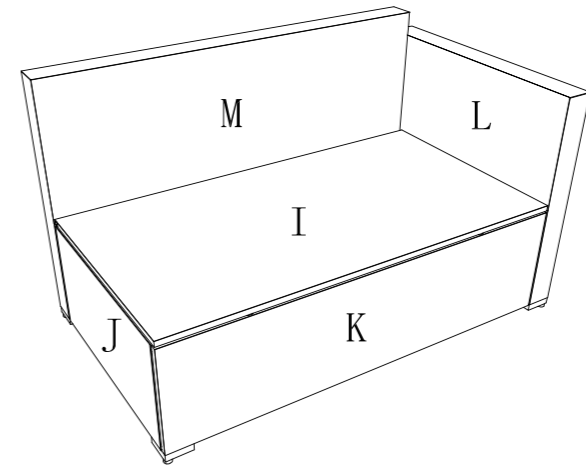


Step 3

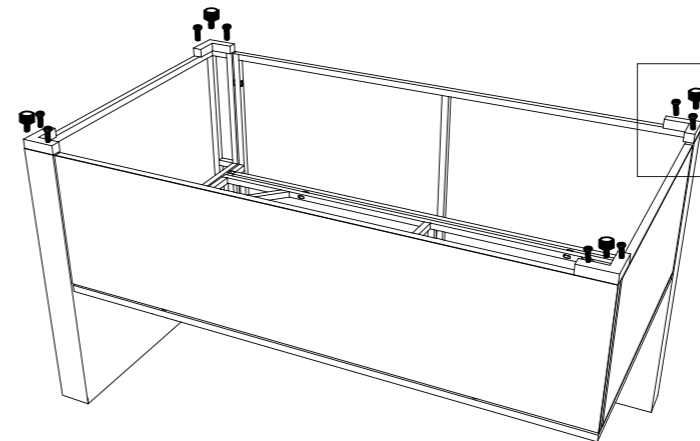


Step 4

4

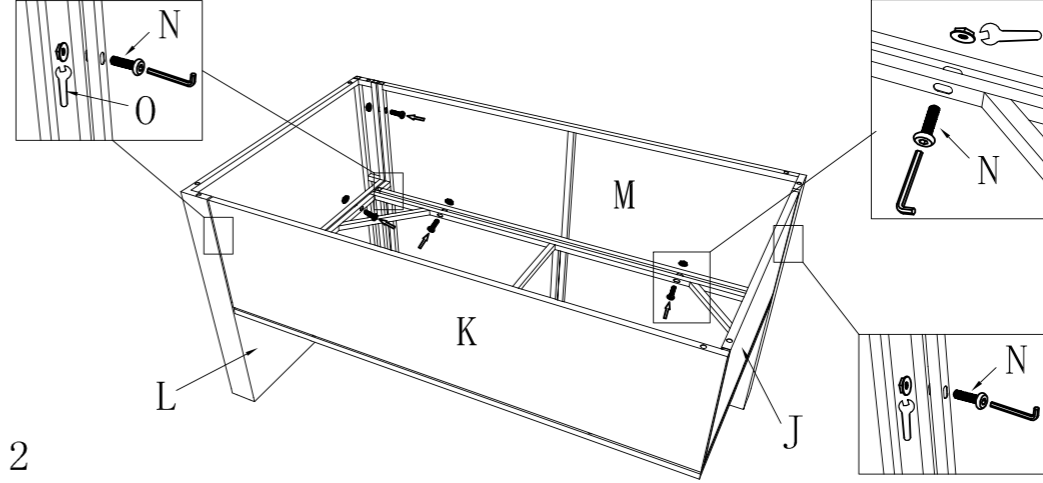


3



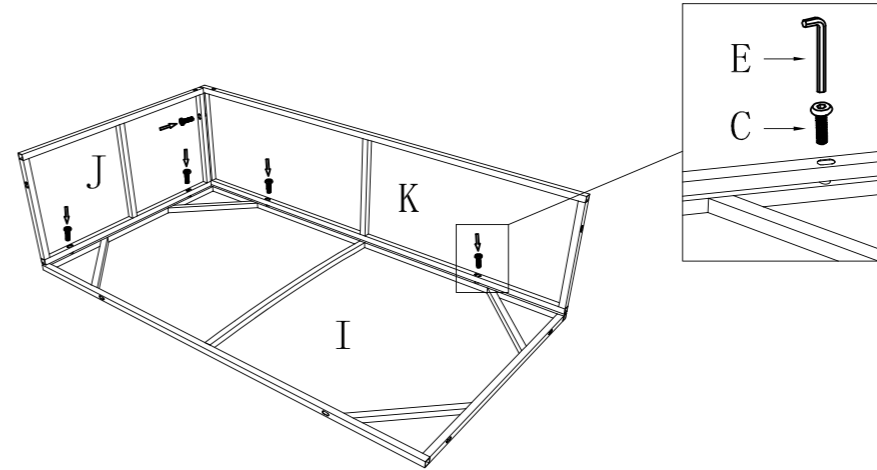
SCREWS	
C	8pcs M6 X 30
D	4pcs

2



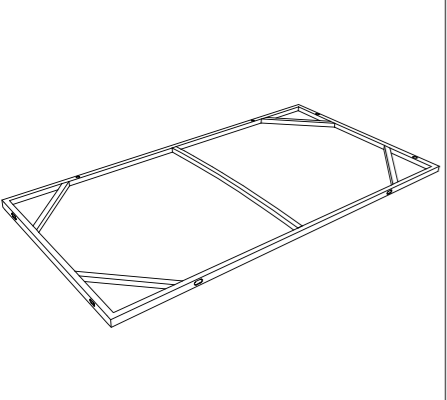
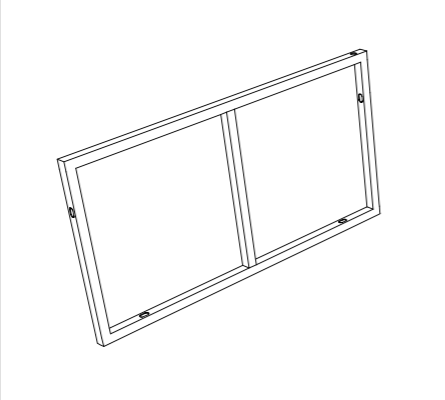
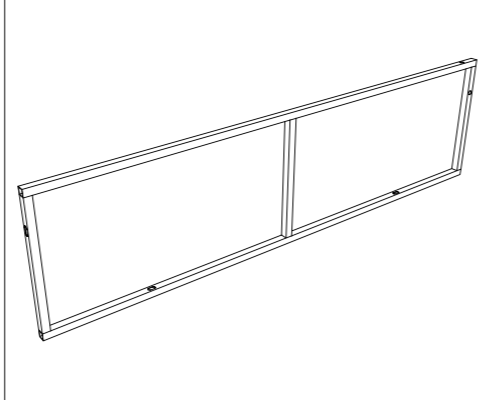
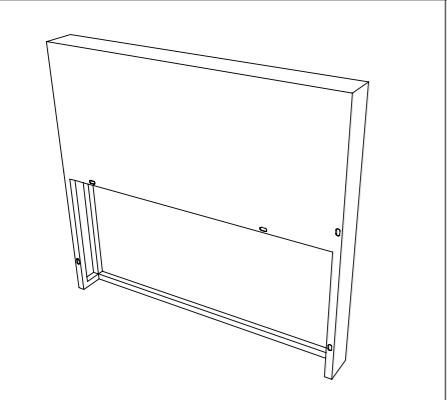
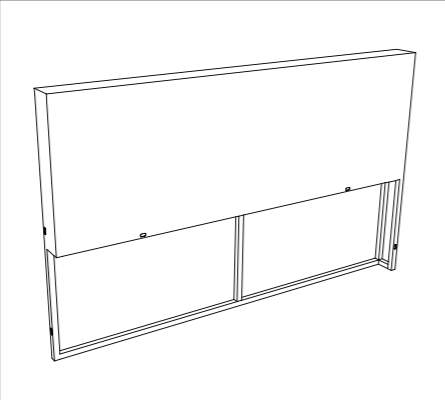
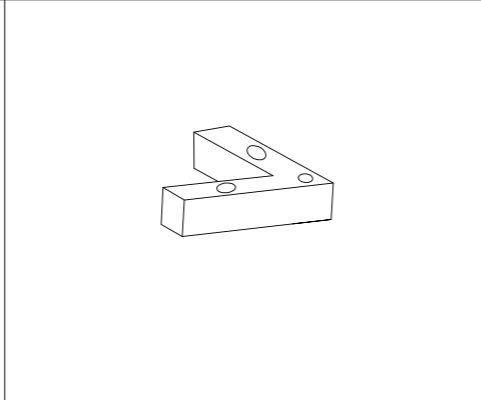
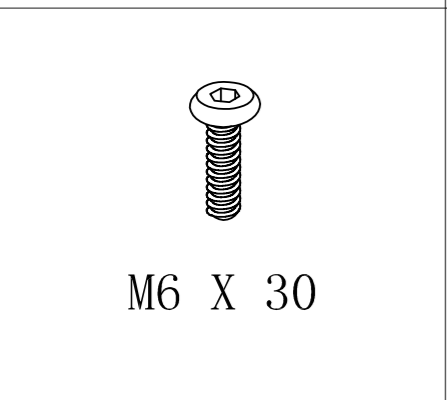
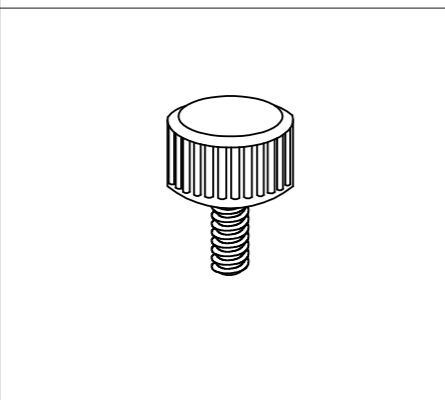
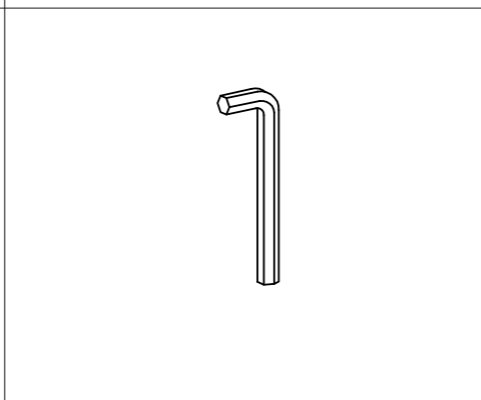
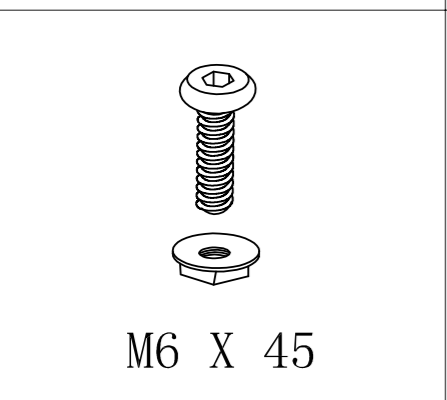
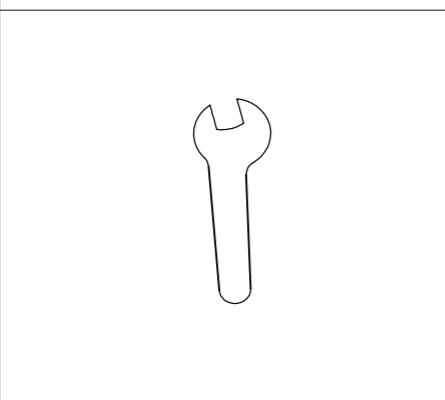
SCREWS	
N	8pcs M6 X 45

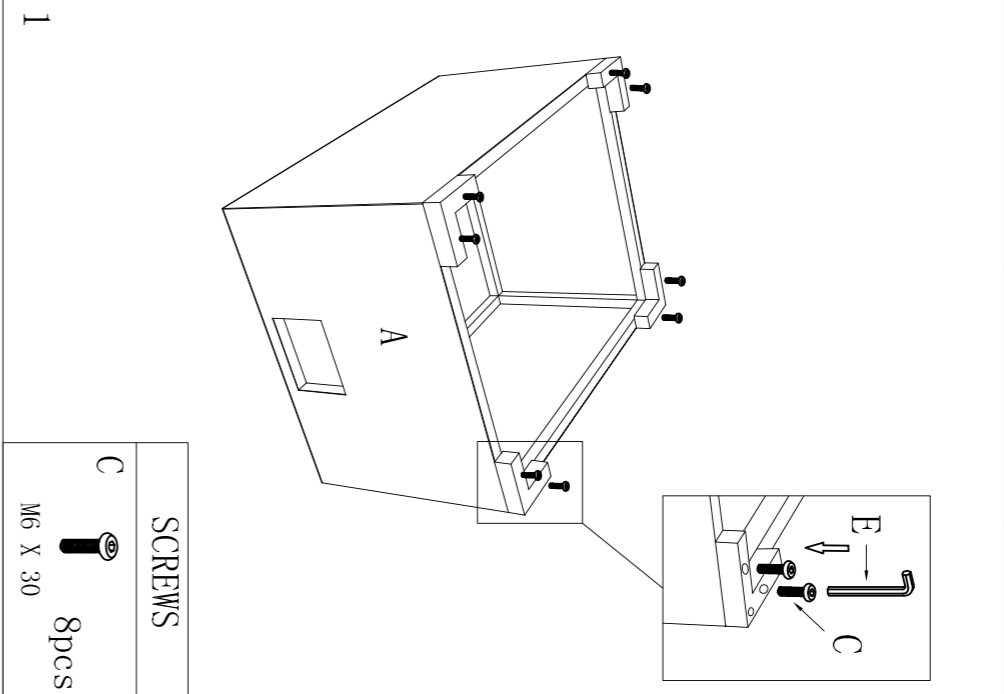
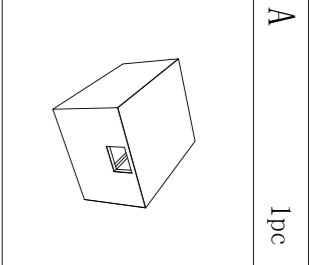
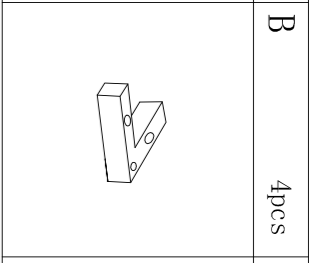
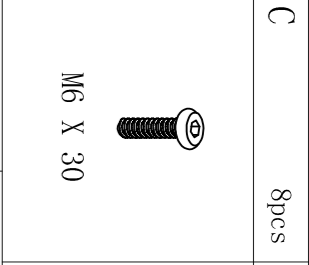
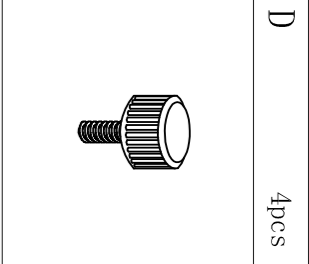
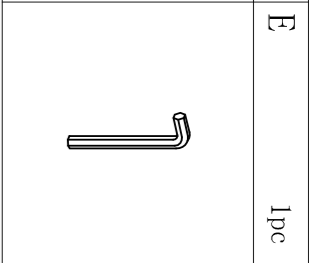
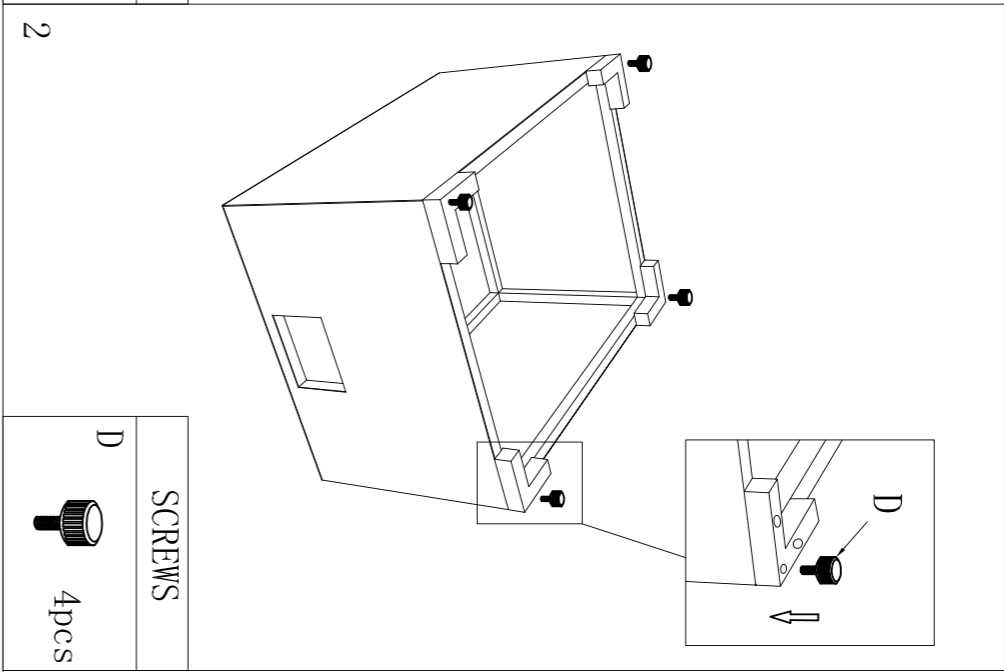
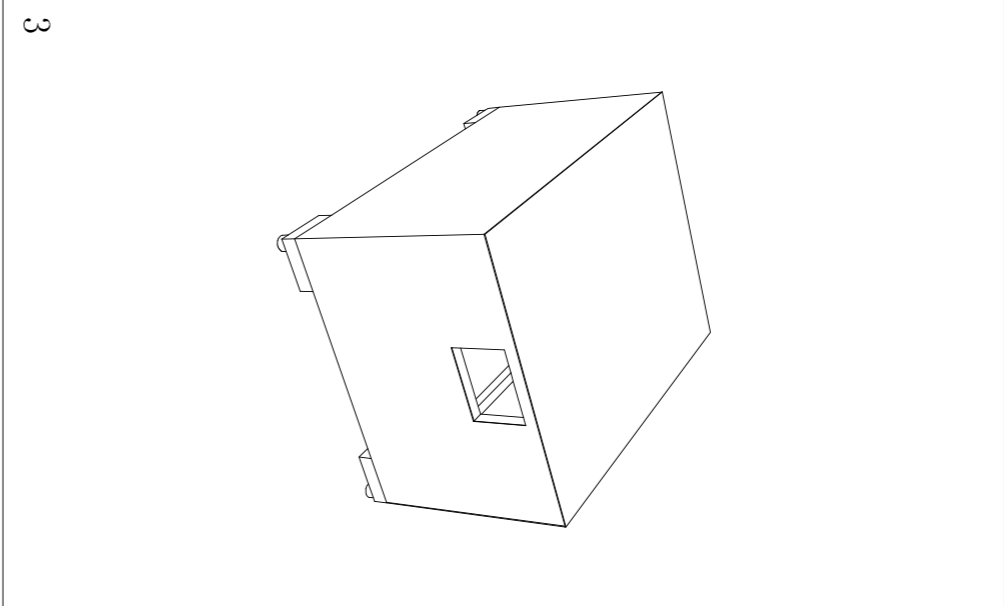
1

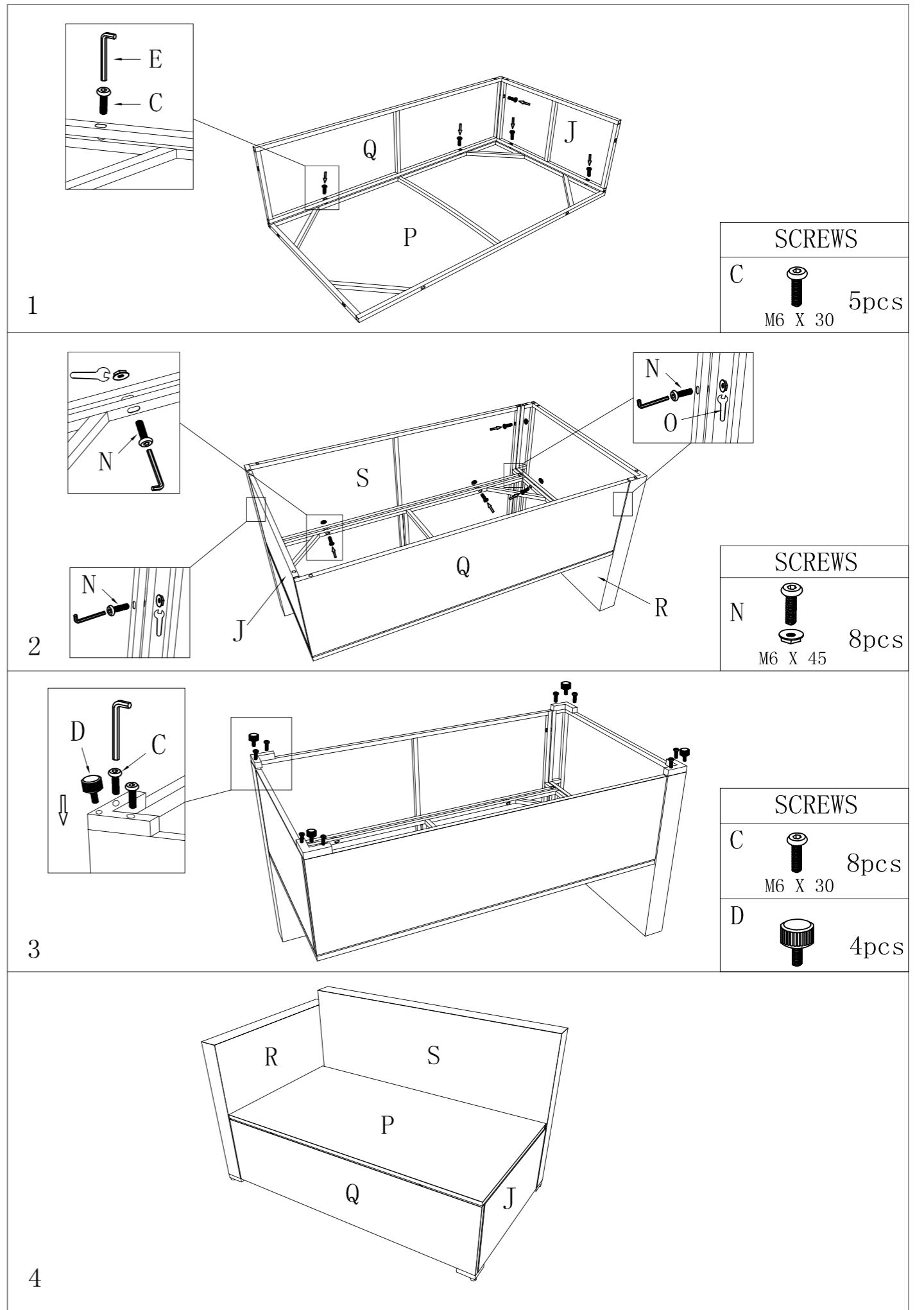
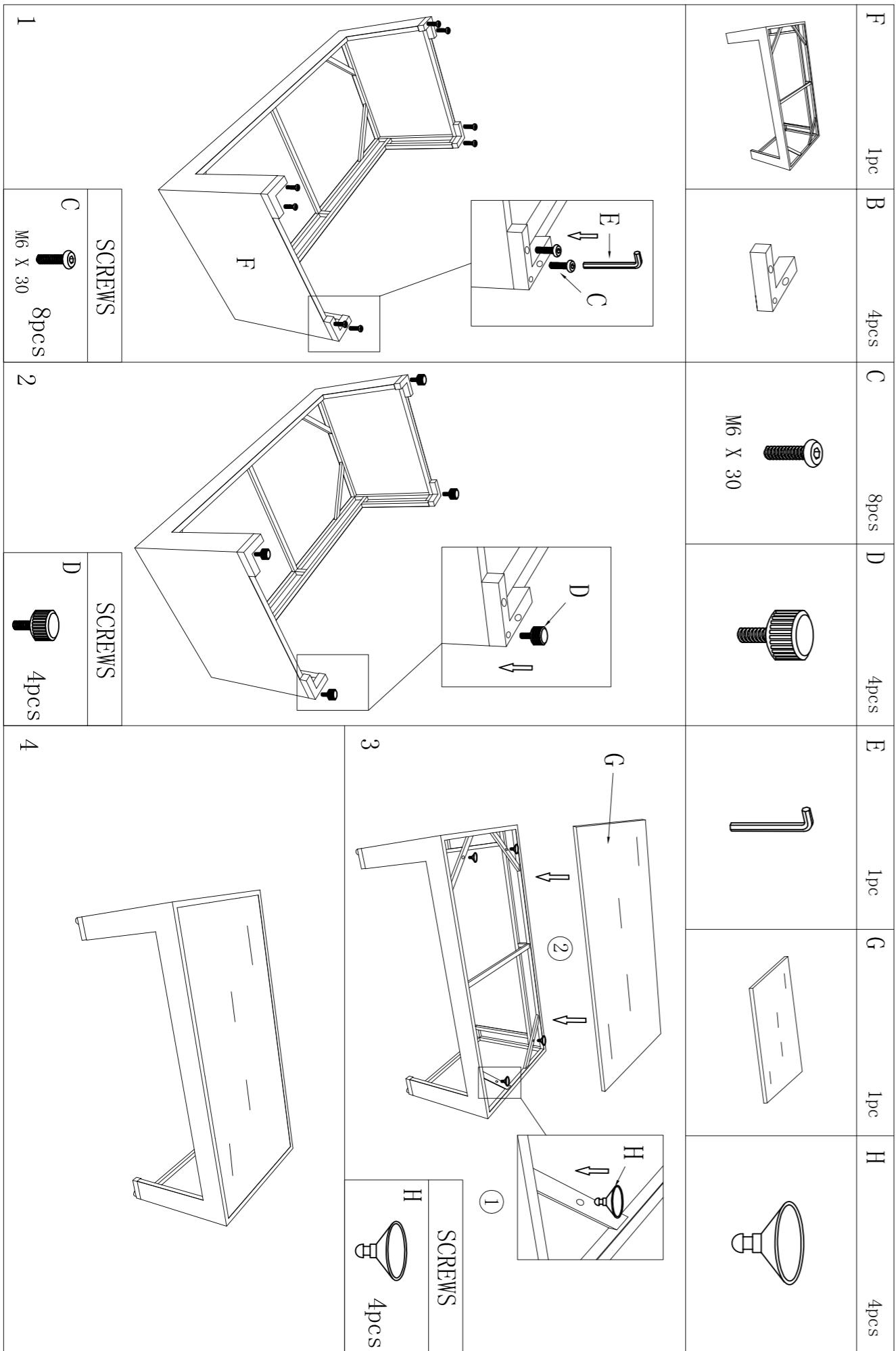


SCREWS	
C	5pcs M6 X 30

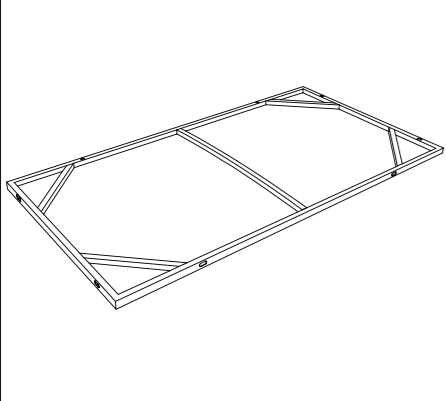
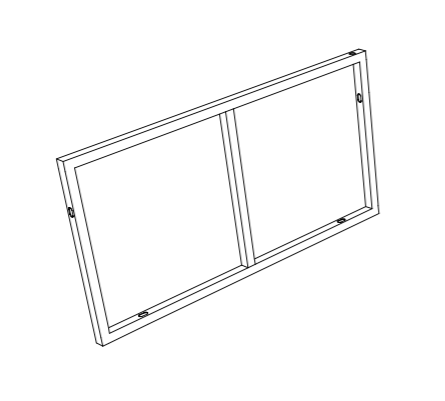
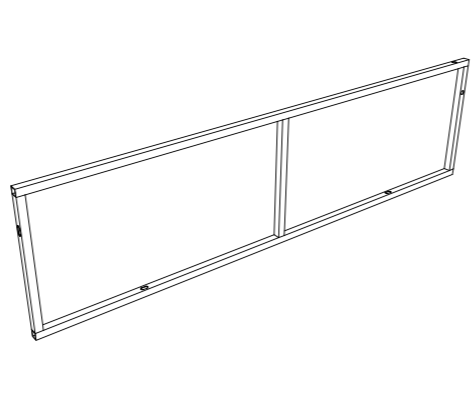
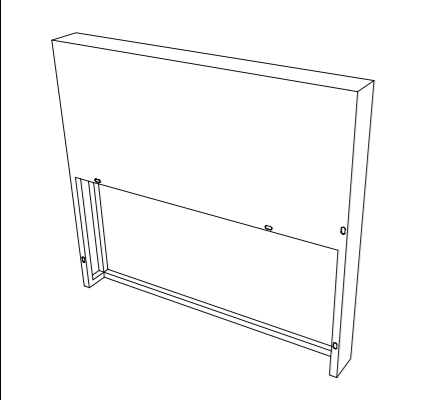
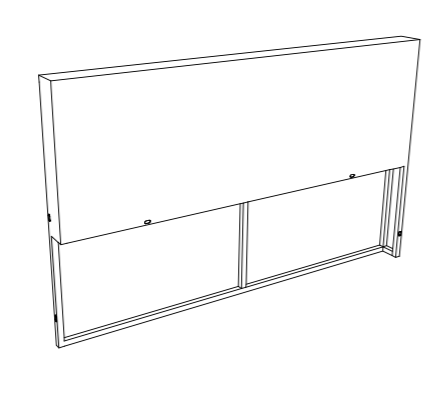
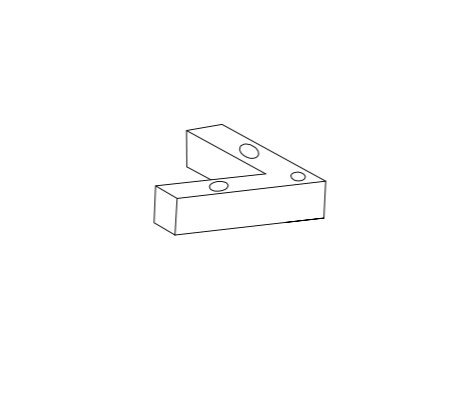
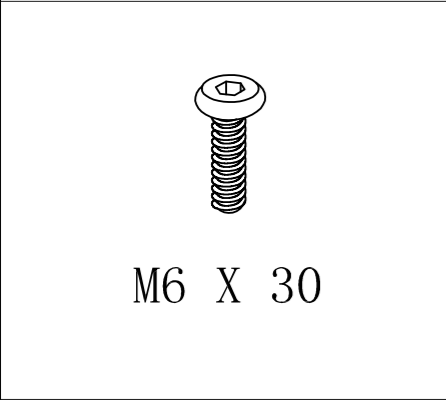
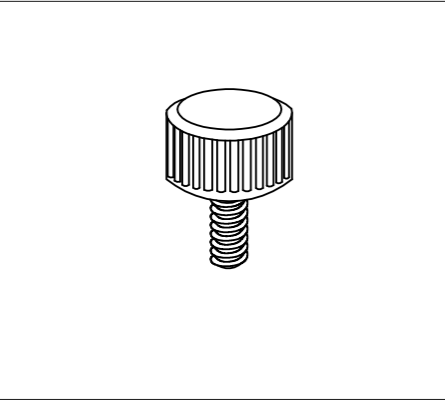
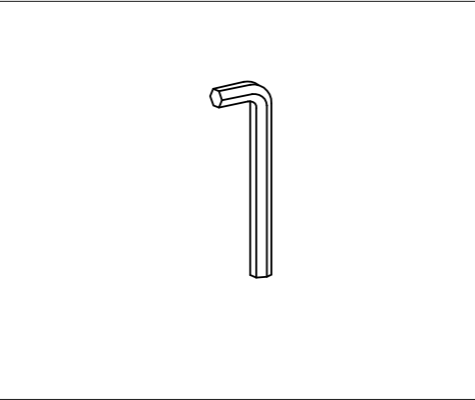
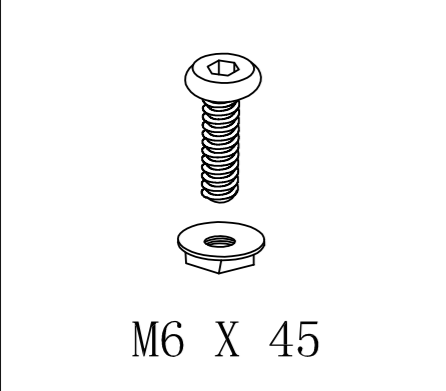
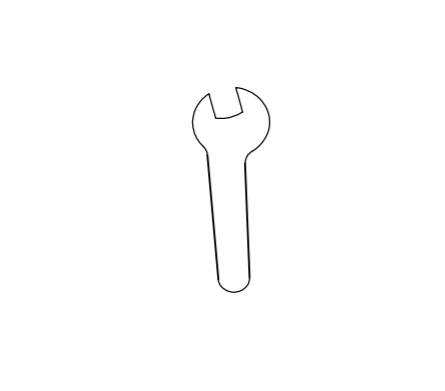
# Right sofa

P	1pc	J	1pc	Q	1pc
					
R	1pc	S	1pc	B	4pcs
					
C	13pcs	D	4pcs	E	1pc
					
M6 X 30					
N	8pcs	O	1pc		
					
M6 X 45					

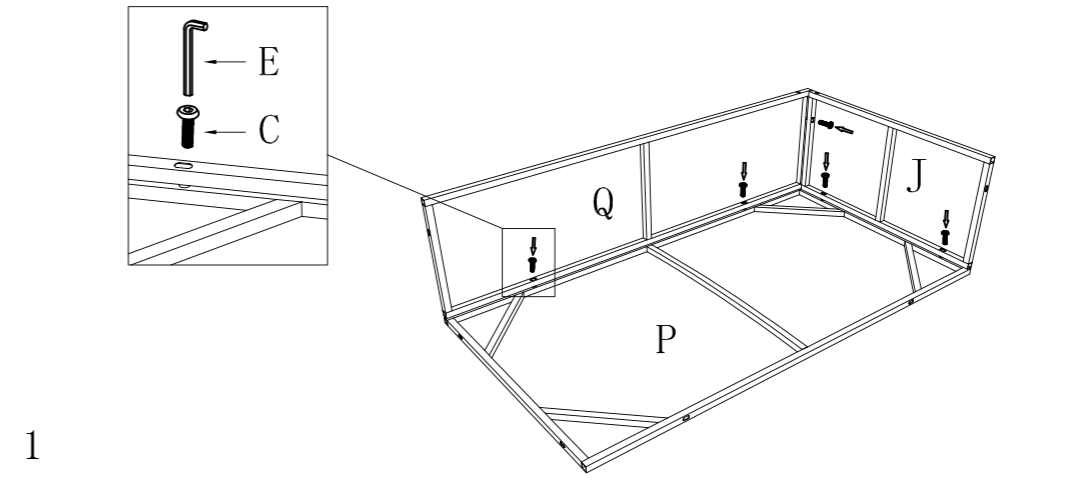
1		A	1pc	B	4pcs	C	8pcs	D	4pcs	E	1pc
											
		M6 X 30									
2											
3											




# corner sofa

P	1pc	J	1pc	Q	1pc
					
T	1pc	S	1pc	B	4pcs
					
C	13pcs	D	4pcs	E	1pc
					
N	8pcs	O	1pc		
					

1

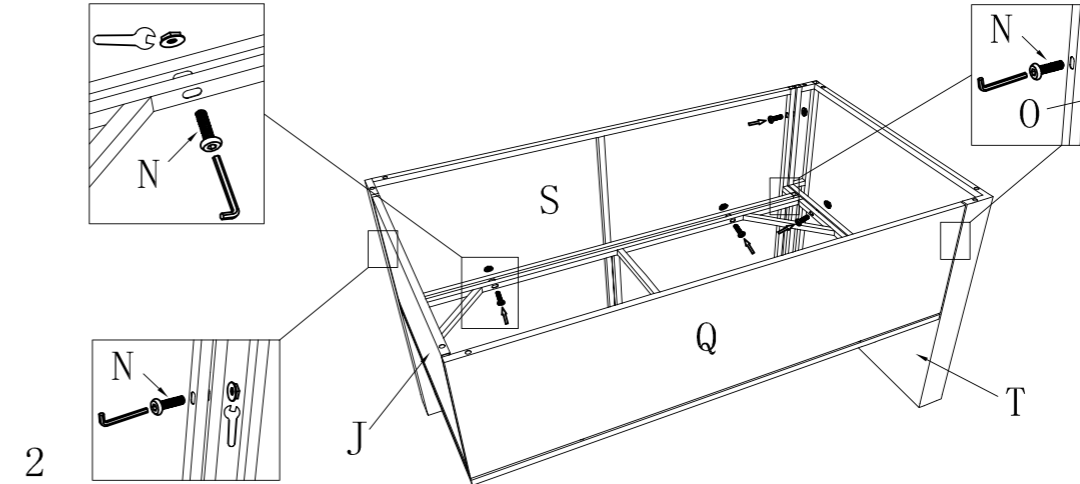


SCREWS


C  5pcs

M6 X 30

2

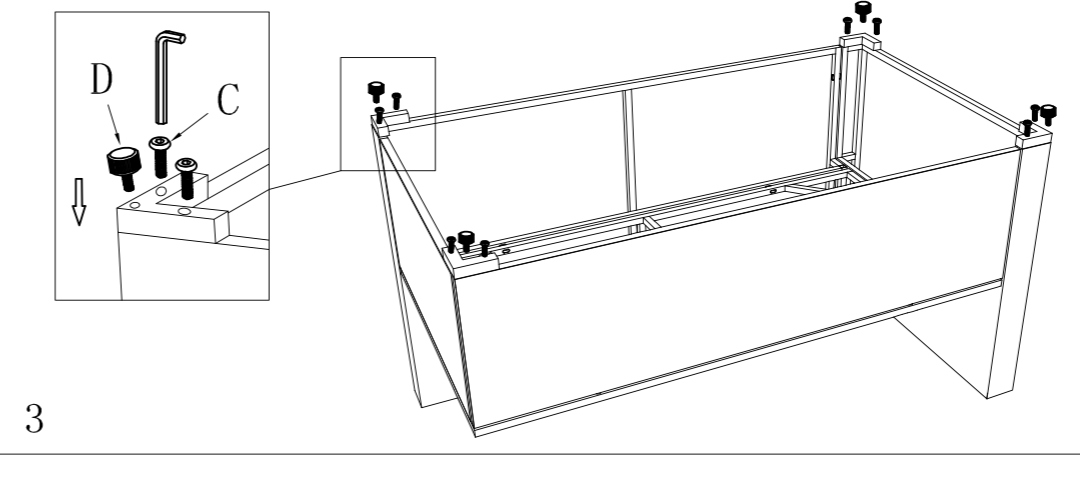


SCREWS


N  8pcs

M6 X 45


3



SCREWS

C  8pcs

M6 X 30

D  4pcs

4

