

MODERNIQUE®

F U R N I T U R E

IMPORTANT INFORMATION!

We advise **YOU** that before starting the assembly of this product **PLEASE** familiarise yourself with the important instructions listed below.

Do not's

Do not over tighten any part of this assembly.

Do not use washing powder or other substances containing abrasives when cleaning the furniture as these may scratch the furniture.

Do not use any tools other than those shown.

Do not for any reason use a power tool to assemble this product, Its use, could make this product unsafe.

Do not drag fully assembled furniture. We recommend 2 people to lift furniture clear of the floor to move.

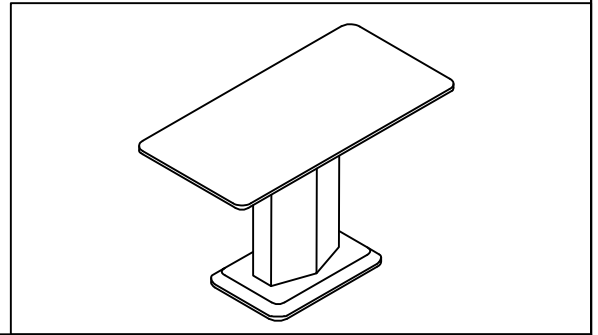
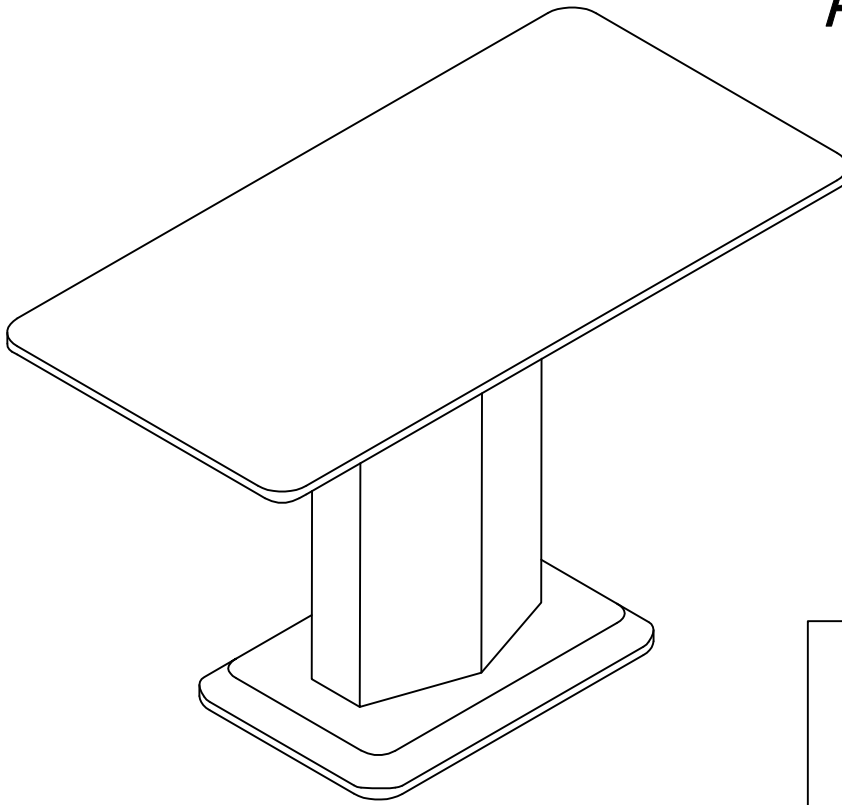
Do's

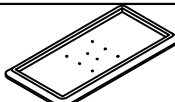

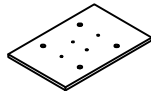
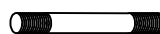
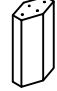





Do use a damp cloth (not wet) dry duster for cleaning the furniture.

Do tighten up the hardwares from time to time depending on the use of product. This is completely normal for any flat pack furniture.

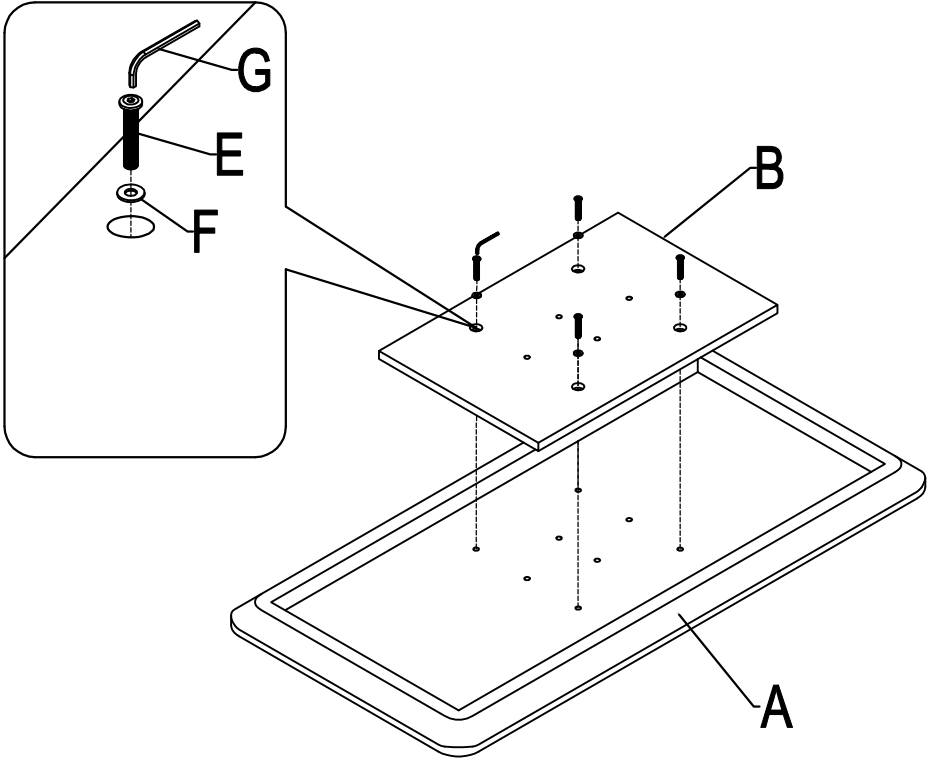
Once assembly completed required 2 people to turn around table to correct position on levelled floor.

Andrea coffee table

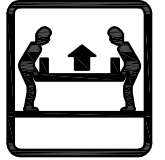


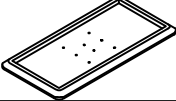
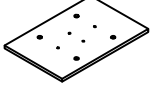



A	TOP		1	I	Socket key		1
B	Layer		1	J	Harness cord		4
C	Leg#1		1				
D	Base		1				
E	Bolt		4				
F	Gasket		8				
G	Spanner		1				
H	Nut		4				

1

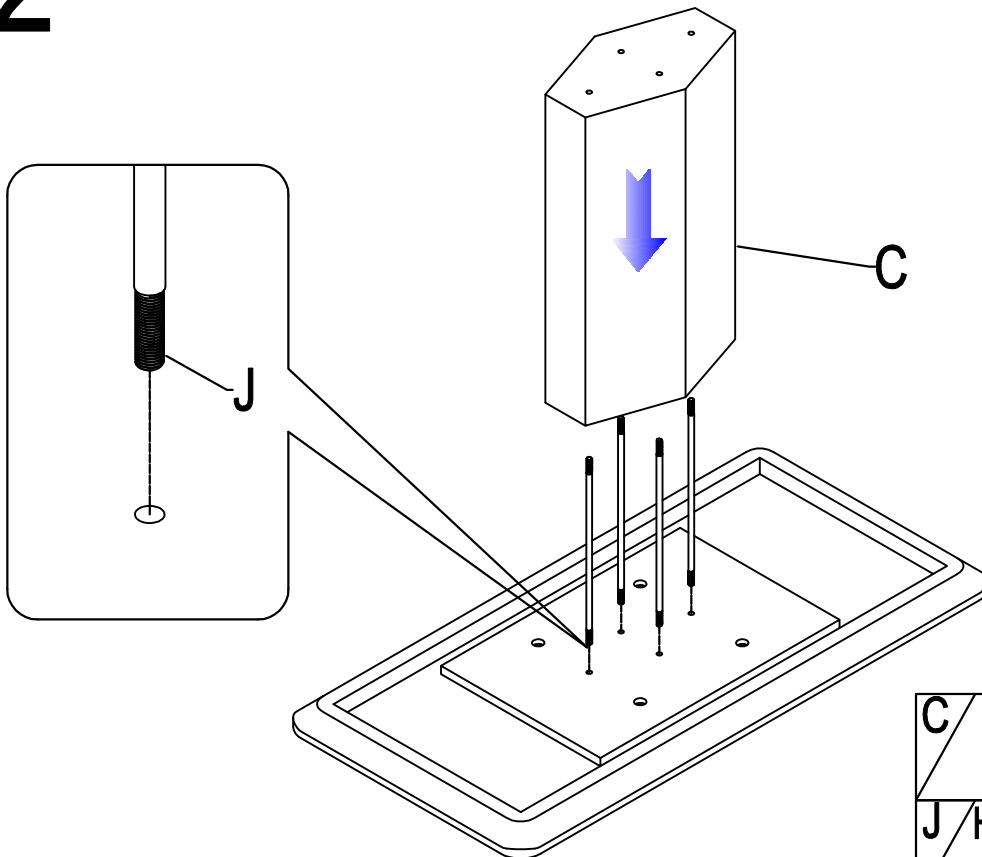



DO NOT
OVER TIGHTEN

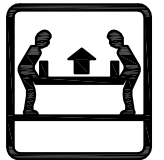


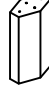
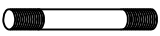
A	TOP		1
B	Layer		1
E	Bolt		4
F	Gasket		4
G	Spanner		1

2

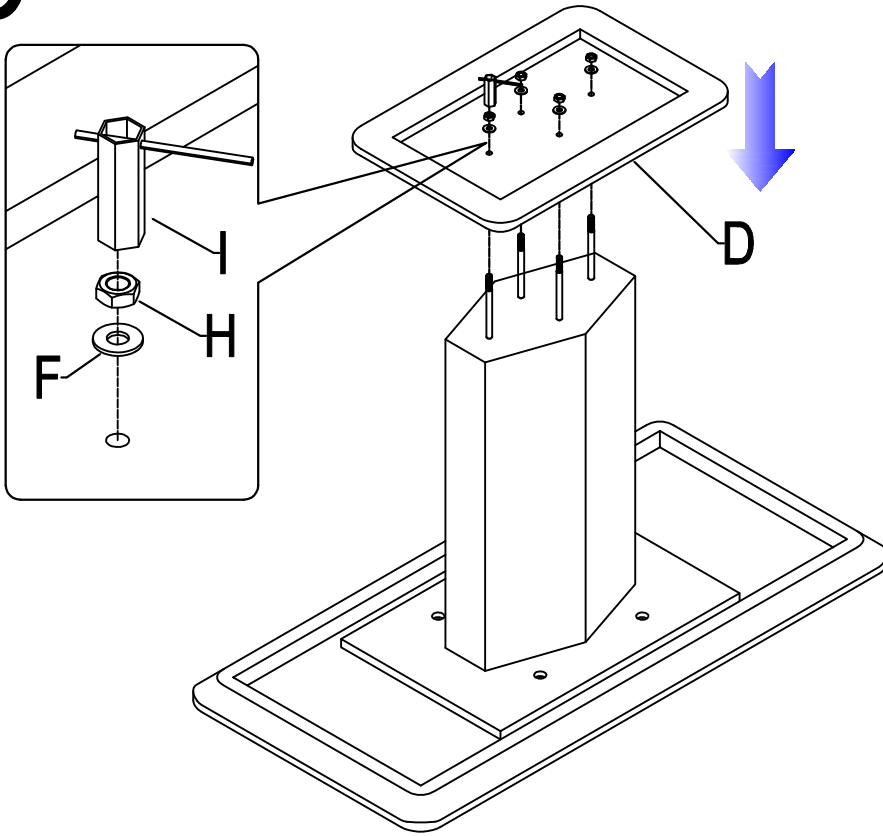



DO NOT
OVER TIGHTEN

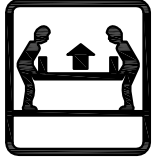






C	Leg#1		1
J	Harness cord		4

3

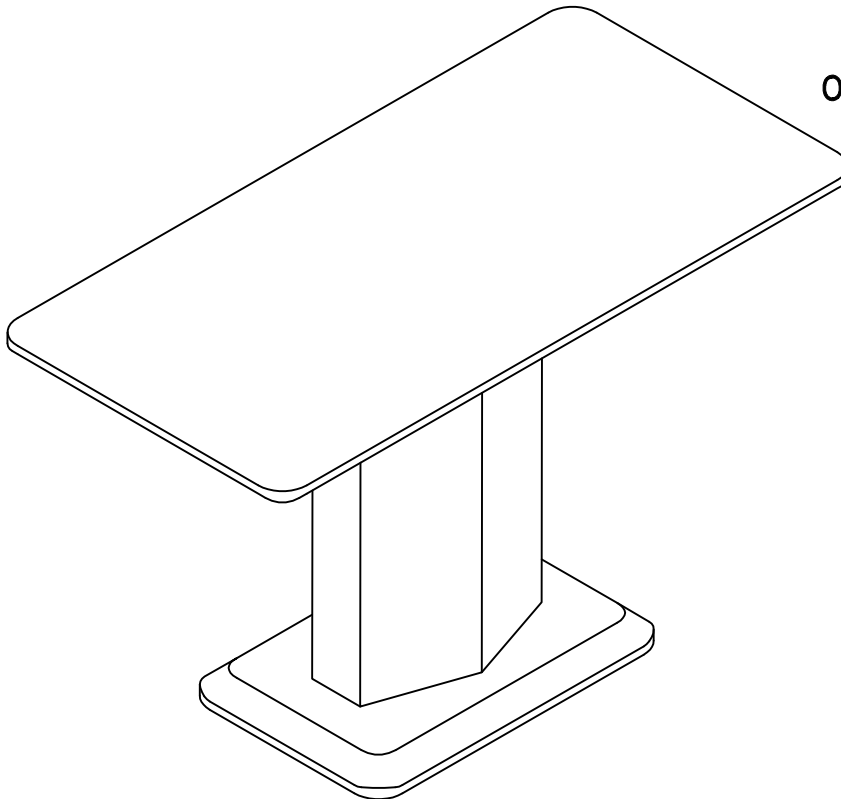



**DO NOT
OVER TIGHTEN**



D	Base		1
F	Gasket		4
H	Nut		4
I	Socket key		1

4




**DO NOT
OVER TIGHTEN**

