

NICOLE DINING CHAIR

IMPORTANT INFORMATION

WE ADVISE YOU THAT BEFORE STARTING THE ASSEMBLY OF THIS PRODUCT PLEASE FAMILIARISE YOURSELF WITH THE IMPORTANT INSTRUCTIONS LISTED BELOW.

Do NOT'S

DO NOT OVER TIGHTEN ANY PART OF THIS ASSEMBLY.

DO NOT USE WASHING POWDER OR OTHER SUBSTANCES CONTAINING ABRASIVES WHEN CLEANING THE FURNITURE AS THESE MAY SCRATCH THE FURNITURE.

DO NOT USE ANY TOOLS OTHER THAN THOSE SHOWN.

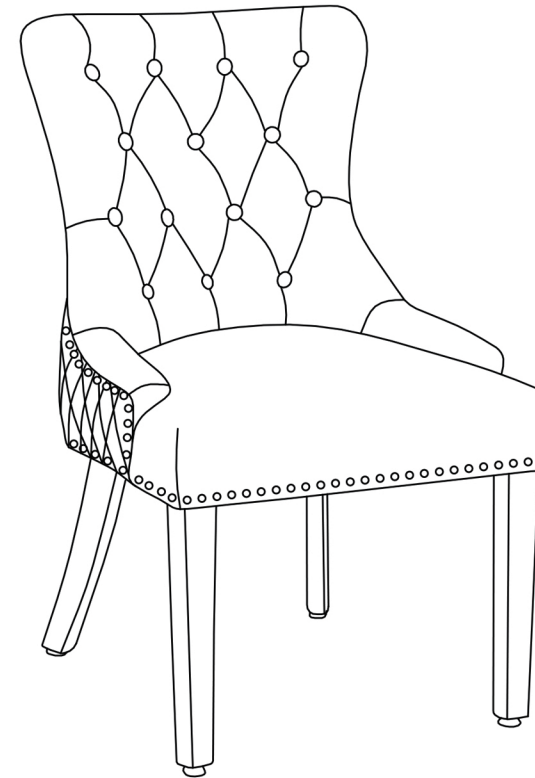
DO NOT FOR ANY REASON USE A POWER TOOL TO ASSEMBLE THIS PRODUCT, ITS USE COULD MAKE THIS PRODUCT UNSAFE.



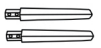





DO NOT DRAG FULLY ASSEMBLED FURNITURE. WE RECOMMEND YOU TO LIFT FURNITURE CLEAR OF THE FLOOR TO MOVE.

Do'S

DO USE A DAMP CLOTH (NOT WET) DRY DUSTER FOR CLEANING THE FURNITURE. SEAT PADS MAY STAIN OR MARK IF ALLOWED TO COME INTO CONTACT WITH WET OBJECTS AS MATERIALS USED HAVE NOT BEEN SCOTCH GUARDED

DO TIGHTEN UP THE HARDWARES FROM TIME TO TIME DEPENDING ON THE USE OF PRODUCT. THIS IS COMPLETELY NORMAL FOR ANY FLAT PACK FURNITURE.



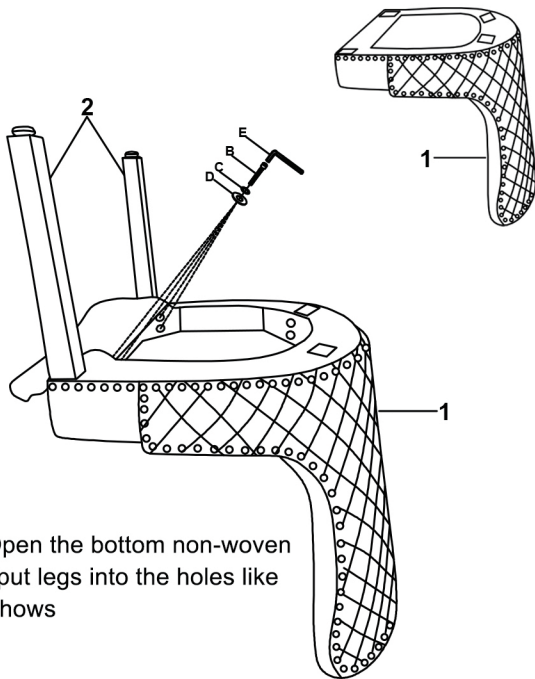
1	BACKREST		x1	A	SCREWS		M8 x 60 MM	x4
2	FRONT LEGS		x2	B	SCREWS		M8 x 70 MM	x4
3	BACK LEGS		x2	C	SPACER			x8
				D	SPACER			x8
				E	ALLEN KEY			x1

KINDLY FOLLOW ASSEMBLY INSTRUCTION STEP BY STEP

1



DO NOT OVER TIGHTEN



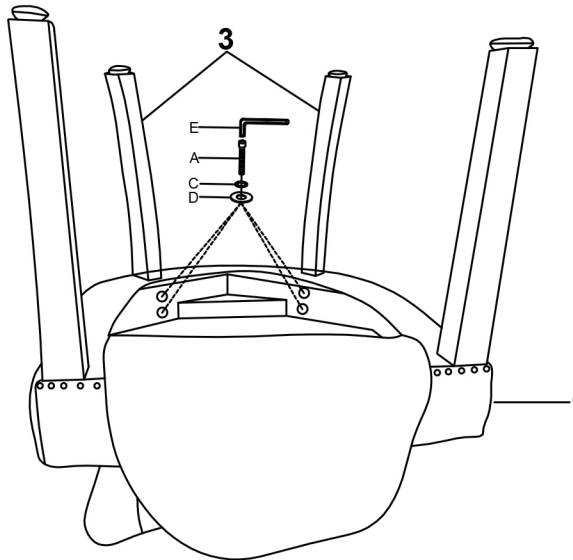
Open the bottom non-woven and put legs into the holes like pic shows

1	BACKREST		x1
2	FRONT LEGS		x2
B	SCREWS		M8 • 70 MM x4
C	SPACER		x4
D	SPACER		x4
E	ALLEN KEY		x1

2

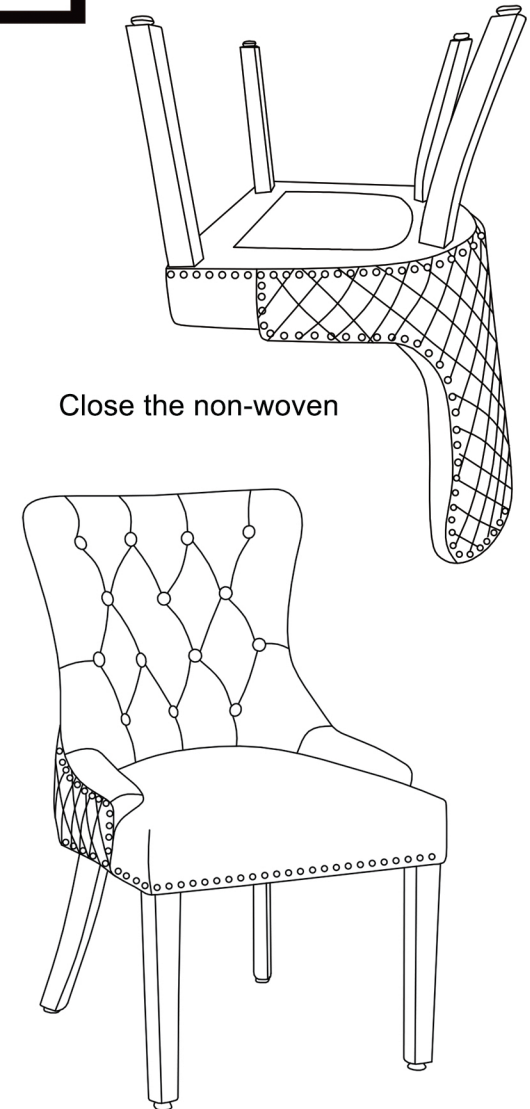


DO NOT OVER TIGHTEN



3	BACK LEGS		x2
A	SCREWS		M8 • 60 MM x4
C	SPACER		x4
D	SPACER		x4
E	ALLEN KEY		x1

3



Close the non-woven