

## RI12186-3

### 3/8" Square Impact Driver



- Industry-leading 190 Nm of tightening torque
- Brushless motor ensuring consistent high performance
- 3 mode forward speed control
- 4 mode intelligent reverse drive control
- Compact design at only 127mm in length for accessing tighter workspaces



### TECHNICAL SPECIFICATIONS

Voltage	12V
Drive	3/8" Square
Max. Tightening Torque	190 Nm
No Load Speed	0 - 3,300 RPM
Impacts per Minute	0 - 4,500 IPM
Standard Bolt Capacity	M10-M16
Highest Tensile Bolt Capacity	M10-M12
Weight (w/o battery)	0.72 kg

### NOISE/VIBRATION INFORMATION

Noise Value	Sound Pressure Level ( $L_{pA}$ )	86.53 dB(A)
	Noise Uncertainty (K Factor)	3.0 dB(A)
Vibration Value	Average Vibration Level* ( $A_w$ )	9.5 m/s <sup>2</sup>

### TECHNOLOGIES

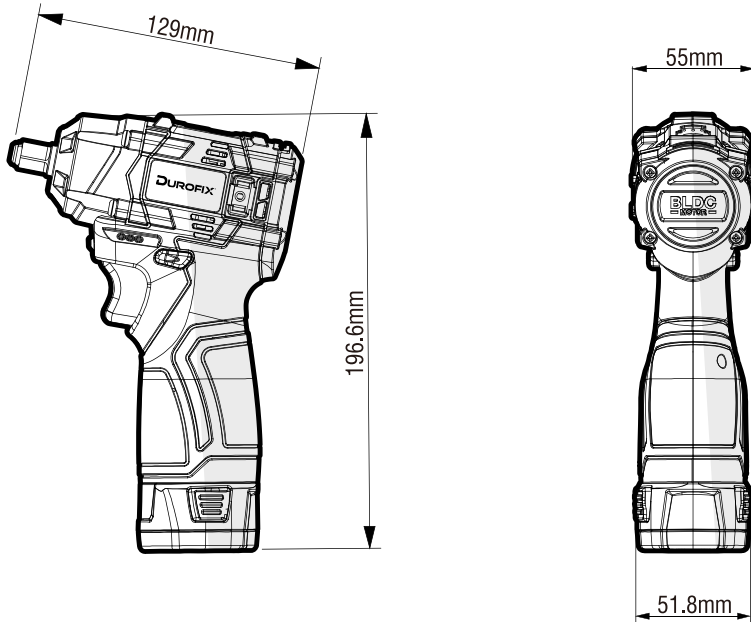


Our Patented all-in-one motor integrates multiple components into a single unit, reducing size and complexity while improving efficiency and reliability



DC motors have traditionally been driven by carbon brushes to power the motor. Over time these wear out and need replacing. All our motors are brushless meaning that the motor is controlled electronically without the need for carbon brushes ensuring your tool is maintenance-free.

## DIMENSIONAL DRAWING



## TOOL FEATURES



The compact design philosophy to prioritise ensures easy handling and maneuverability in tight spaces, without compromising on performance or power.



Illuminate your workspace with the built-in LED light on this power tool, ensuring visibility in low-light conditions for enhanced work safety.



An impact wrench uses a hammer and anvil to generate torque. The hammer's rapid, powerful blows tighten or untighten, reducing the operator's torque reaction.



Experience effortless manoeuvrability and reduced fatigue with this lightweight design, ideal for extended use on various projects.