

EN

Original Instructions
Version 4 – February 2025

DRAPER[®]

CHAINSAW **LOG STAND**

32273



1. Preface

1.1 Product Reference

User Manual for: Chainsaw Log Stand

Stock No: 32273

Part No: AGP101

1.2 Revisions

Version 1: May 2013
First release

Version 2: March 2018

Version 3: December 2023

Version 4: February 2025

Please visit drapertools.com/manuals for the latest version of this manual and the associated parts list, if applicable.

2. Product Introduction

2.1 Intended Use

This log stand is a manually operated sawhorse, designed to enable efficient and safe sawing of logs and branches.

Any other application beyond the conditions established for use will be considered misuse. Draper Tools accepts no responsibility for improper use of this product.

This product is intended for domestic and infrequent light-duty trade use.

Read this manual in full before attempting to assemble, operate or maintain the product, and retain it for later use.

2.2 Specification

Stock No.	32273
Part No.	AGP101
Max. Log Length	4M
Min. Log Diameter	50mm
Max. Log Diameter	250mm
Max. Log Weight	150kg
Dimensions (LxWxH)	1100 x 380 x 900mm
Net weight	10.8kg

Important: Read all the Health and Safety instructions before attempting to operate, maintain or repair this product. Failure to follow these instructions may result in injury or damage to the user or the product or the workpiece.

3.1 General Health and Safety Precautions

 **WARNING!**

- **Observe all safety precautions. Non observance of safety precautions may result in injury or death.**
- **Keep this manual safe for future reference.**
- Before using this log stand **ALWAYS** check that all nuts and bolts are secure and the log stand is not damaged or rusting.
- Read and observe the operating instructions of the chainsaw you are using and wear all recommended safety gear.
- When using this log stand there are steps that should be taken to ensure that you, as the user, remain safe. Common sense and a respect for the job in hand will reduce the risk of injury.
- Find a suitable location. **ONLY** use the log stand on firm and level ground.
- **DO NOT use on sloping or uneven ground.**
- After securing the timber in the log stand, check the stability and balance before starting to cut. The log stand must not be able to tilt.
- **ALWAYS** cut in a downward direction. **NEVER cut in an upward direction.**
- **ONLY** cut with the bottom of the chainsaw bar as the timber may otherwise shift away from the rotating chain, become unstable and increase the risk of personal injury.
- Keep the work area tidy and clean. Clear and stack the sawn logs away from the log stand to keep the work area clear of obstructions and safety hazards.
- Keep bystanders away. Children, onlookers and passers by must be restricted from entering the work area for their own protection.
- Take care when handling and lifting the log stand. Dropping it may damage the fixings and may also result in personal injury.
- **DO NOT** modify and **ONLY** use the log stand for its intended purpose.

- **DO NOT** leave the log stand exposed to the elements as this could cause rusting which will weaken the product. Store in a dry location when not in use.

 **WARNING!**

- Wear face shield, safety shoes, ear protection and other appropriate PPE (Personal Protective Equipment) as specified by the chainsaw manufacturer.

3.2 Residual Risk

The safety instructions in this manual cannot account for all possible conditions and situations that may occur. Exercise common sense and caution when using this product and protect against any additional conceivable risks.

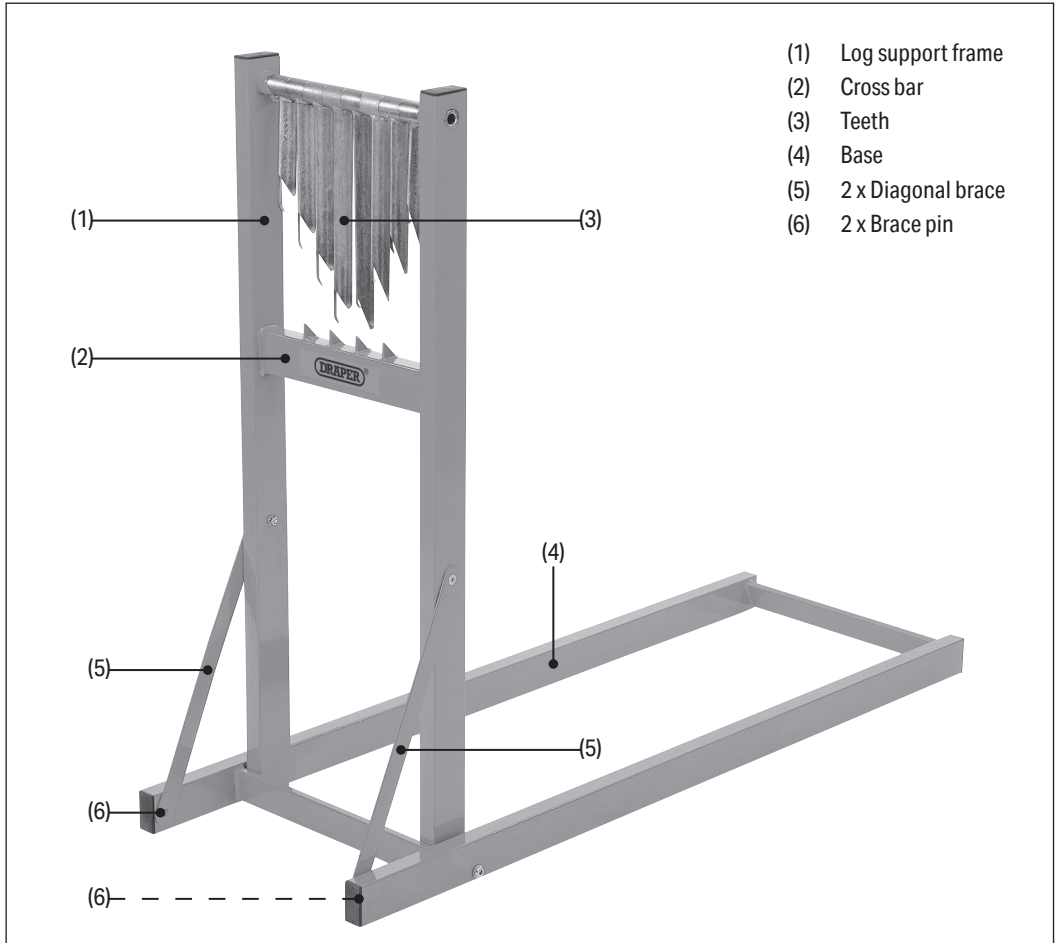


4. Identification and Unpacking

Carefully remove the product from the packaging and examine it for any signs of damage that may have occurred during shipment. If any part is damaged or

missing, do not attempt to use the product. Please contact the Draper Helpline; contact details can be found at the back of this manual.

4.1 Product Overview



4.2 Packaging

Keep the product packaging for the duration of the warranty period in case the product needs to be returned for repair.

WARNING! Keep packaging materials out of reach of children. Dispose of packaging correctly and responsibly and in accordance with local regulations.

Please visit drapertools.com for our full range of accessories and consumables.

Important: Before operating this product, read and understand all the safety instructions listed in this manual. Ensure that the product is fully assembled and correctly prepared for use.

5.1 Setting Up the Log Stand

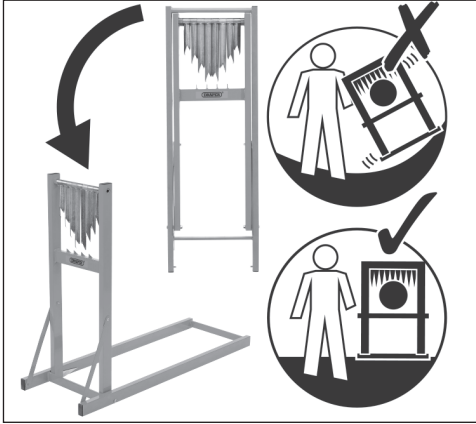


Fig. 1

- Ensure that the ground where the log stand is placed is firm and level.
- Lay the log stand on the ground, then lift the log support frame into the vertical position.

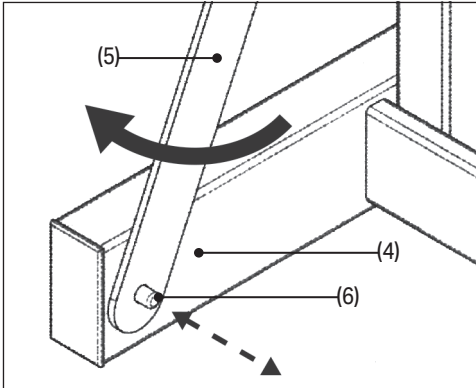


Fig. 2

- Rotate the diagonal braces (5) from their stored position. Then fit the holes in the ends of the braces over the brace pins (6) on the inside of the forward part of the base (4).

5.2 Timber Positioning

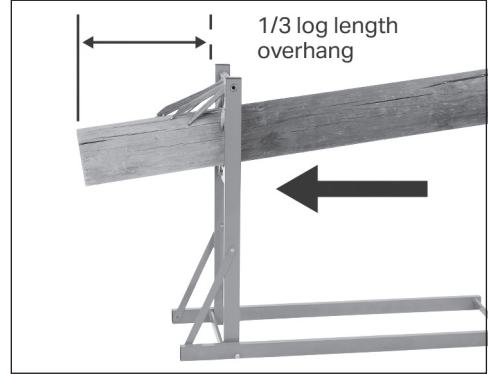


Fig. 3

- Insert the log through the teeth in the direction shown, until approximately 1/3 of the log length is forward of the log support frame.
- Angle the log so the short end is slightly lower than the rear end.

5.3 Securing the Timber



Fig. 4

- Rest the log on the lower teeth on the cross bar (2) and slowly release the weight so that the upper teeth engage with the log.

Note: the log should be horizontal with approximately 1/3 of its length forward of the log support frame.

5. Operation & Use

WARNING!

- With heavy and long logs, the weight of the log is sufficient to engage the teeth. **DO NOT** press down on the long overhanging end of the log as this may result in damage to the log stand.



5.4 Cutting the Timber

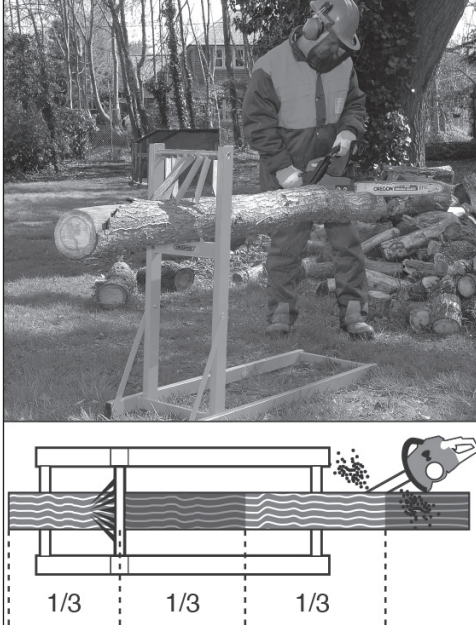


Fig. 5

- Start by cutting the initial logs from the long overhanging end of the log. Cut successive logs to maintain a ratio of 1/3 of the remaining length forward to the log support frame and 2/3 behind.

WARNING!

- **ALWAYS** cut in a downward direction as shown.
- Check that the log is secure and the log stand is stable before cutting.



- **Important:** this log stand is load bearing, so it is essential to routinely check the fixings and overall condition of the steel work. **DO NOT** use if it shows and sign of damage or wear.
- Store in a dry location when not in use.
- At the end of its working life, dispose of the product responsibly and in line with local regulations. Recycle where possible. **DO NOT** dispose of this product with domestic waste; most local authorities provide appropriate recycling facilities.

7. Warranty

12 months from date of purchase -
Visit drapertools.com/warranty for full details.

8. Explanation of Symbols



Read the instruction manual



Warning!



Wear face shield



Max. log length



Wear ear defenders



Min. and max. log diameter



Wear personal protective wear



Max. log weight



Wear protective footwear



Dimensions



Wear safety helmet



Net weight



Keep out of the reach of children

Contact Details

Draper Tools

Draper Tools Limited
Hursley Road
Chandler's Ford
Eastleigh
Hampshire
SO53 1YF
UK

Website: drapertools.com

Email: sales@drapertools.com

Product Helpline: +44 (0) 23 8049 4344

Telephone Sales Desk: +44 (0) 23 8049 4333

General Enquiries: +44 (0) 23 8026 6355

Delta International

Delta International BV
Oude Graaf 8
6002 NL
Weert
Netherlands

Please contact the Draper Tools Product Helpline for repair and servicing enquiries.