

EN

Original Instructions
Version 3 - September 2024

DRAPER[®]

3-IN-1 WET & DRY
**VACUUM
CLEANER**
WITH SHAMPOO VALETING
75442



**UK
CA** **CE**

1. Preface

These are the original product instructions. This document is part of the product; retain it for the life of the product, passing it on to subsequent holders. Read this manual in full before attempting to assemble, operate or maintain this product.

This Draper Tools manual describes the purpose of the product and contains all the necessary information to ensure its correct and safe use. Following all the instructions and guidance in this manual will ensure the safety of both the product and the operator and increase the lifespan of the product.

All photographs and drawings within this manual are supplied by Draper Tools to help illustrate correct operation of the product.

Every effort has been made to ensure the information contained in this manual is accurate. However, Draper Tools reserves the right to amend this document without prior warning. Always use the latest version of the product manual.

1.1 Product Reference

User Manual for: 3-in-1 Wet & Dry Vacuum Cleaner with Shampoo Valeting

Stock No: 75442

Part No: SWD1500

1.2 Revisions

Version 1: June 2022
First release

Version 2: July 2024

Version 3: September 2024

As our manuals are continually updated, always ensure that the latest version is used.

Please visit [drapertools.com/manuals](https://www.drapertools.com/manuals) for the latest version of this manual and the associated parts list, if applicable.

1.3 Understanding the Safety Content of This Manual



WARNING! – Situations or actions that may result in personal injury or death.



CAUTION! – Situations or actions that may result in damage to the product or surroundings.

Important: – Information or instructions of particular importance.

1.4 Copyright © Notice

Copyright © Draper Tools Limited.

Permission is granted to reproduce this manual for personal and educational use **ONLY**. Commercial copying, redistribution, hiring or lending is strictly prohibited.

No part of this manual may be stored in a retrieval system or transmitted in any other form or means without written permission from Draper Tools Limited.

In all cases, this copyright notice must remain intact.

| | | | |
|---|-------|---|-------|
| 1. Preface | 2 | 10. Shampoo Function | 13-15 |
| 1.1 Product Reference | 2 | 10.1 Attaching the Shampoo Delivery Hose | 13 |
| 1.2 Revisions | 2 | 10.2 Filling the Shampoo Tank | 14 |
| 1.3 Understanding the Safety Content of This Manual | 2 | 10.3 Connecting Shampoo Inlet Hose & Filter | 14 |
| 1.4 Copyright © Notice | 2 | 10.4 Attaching Large Fluid Nozzle | 14 |
| 2. Contents | 3 | 10.5 Attaching the Small Fluid Nozzle | 15 |
| 3. Product Introduction | 4 | 11. Maintenance and Troubleshooting | 16-17 |
| 3.1 Intended Use | 4 | 11.1 General Maintenance | 16 |
| 3.2 Specification | 4 | 11.2 Motor Housing Filter | 16 |
| 4. Health and Safety Information | 5-6 | 11.3 Troubleshooting | 17 |
| 4.1 General Health and Safety Precautions | 5 | 12. Spares, Returns and Disposal | 18 |
| 4.2 Additional Health & Safety For Vacuum Cleaners | 5 | 13. Warranty | 19 |
| 4.3 Connection to the Power Supply | 5 | | |
| 4.4 Residual Risk | 6 | | |
| 5. Explanation of Symbols | 6 | | |
| 6. Identification and Unpacking | 7-8 | | |
| 6.1 Product Overview | 7 | | |
| 6.2 What's in the Box? | 8 | | |
| 6.3 Packaging | 8 | | |
| 7. Assembly Instructions | 9-10 | | |
| 7.1 Fitting the Push Handle | 9 | | |
| 7.2 Fitting the Rear Wheels | 9 | | |
| 7.3 Fitting the Castors | 9 | | |
| 7.4 Fitting and Replacing the Remote Control Handle Battery | 10 | | |
| 8. Setting Up the Vacuum Cleaner | 11 | | |
| 8.1 Setting Up | 11 | | |
| 8.2 Switching ON | 11 | | |
| 9. Operating Instructions | 12-13 | | |
| 9.1 Dry Vacuuming | 12 | | |
| 9.2 Wet Vacuuming | 12 | | |

3.1 Intended Use

This vacuum cleaner has a 20litre tank and is designed to pick up both wet and dry material with the added facility of shampooing. Ideal for use in home, workshop, office and garage environments and ideal for car valeting.

Any other application beyond the conditions established for use will be considered misuse. Draper Tools accepts

no responsibility for improper use of this product.

Read this manual in full before attempting to assemble, operate or maintain the product, and retain it for later use.

3.2 Specification

| | |
|---|---------------------------------------|
| Stock No. | 75442 |
| Part No. | SWD1500 |
| Rated Voltage: | 230V/50Hz |
| Rated Input: | 1500W |
| Maximum Vacuum Pressure: | 18Kpa (180mbar) |
| Air Flow: | 32L/sec |
| Tank Capacity: | 20L |
| Wet Volume: | 13L |
| Shampooing Volume: | 4L |
| Protection Rating: | IPX4 |
| Sound Pressure Level: | 75dB(A) |
| Power Cord Length (approx.): | 10M |
| Remote Control Handle Battery Required: | 1 X 23A (12V) alkaline (not supplied) |
| Dimensions Without Handle Fitted (D X W X H): | 400 X 450 X 560mm |
| Net Weight: | 12.5kg |

Important: Read all the Health and Safety instructions before attempting to operate, maintain or repair this product. Failure to follow these instructions may result in injury or damage to the user or the product.

4.1 General Health and Safety Precautions



WARNING! To reduce the risk of electric shock or injury:

- **DO NOT** leave the appliance unattended when plugged in or switched on.
- **ALWAYS** switch off and unplug from the power supply when not in use, changing accessories or performing any maintenance.
- **DO NOT** use this appliance near flammable liquids, gases or explosive vapours or dust. Sparks inside the motor can ignite flammable vapours or dust.
- **DANGER! DO NOT** vacuum hot or glowing ash, cigarette ends, matches or anything that is burning.
- Keep the cord away from hot surfaces and sharp edges.
- **DO NOT** expose to rain or very damp conditions.
- **DO NOT** pull or carry the appliance by the power cord.
- **DO NOT** pull the plug from the socket by the cord. To unplug grasp the plug, not the cord.
- **DO NOT** use with a damaged or worn cord, plug or any other parts.
- If the appliance is not working, has been damaged or dropped in water, get it checked and repaired by a qualified person.
- **DO NOT** run the appliance over the cord.
- **DO NOT** touch the cord or appliance with wet hands.
- This appliance can be used by children aged from 8 years and above and persons with reduced physical, sensory or mental capabilities or lack of experience and knowledge if they have been given supervision or instruction concerning use of the appliance in a safe way and understand the hazards involved. Children shall not play with the appliance. Cleaning and user maintenance shall not be made by children without supervision.

4.2 Additional Health & Safety For Vacuum Cleaners

- **DO NOT** modify the appliance and only use for its intended use.

- Wear protective clothing and gloves.
- **DO NOT** allow untrained persons to operate the cleaner.
- To reduce the risk of health hazards from vapours and dust, **DO NOT** vacuum toxic materials.
- **DO NOT** use or store near hazardous materials.
- **DO NOT** use with a damaged filter or without the correct filter installed.
- **DO NOT** place any objects into the ventilation openings and **DO NOT** use if the ventilation openings are blocked.
- The hose should be checked regularly and must not be used if damaged.
- Unplug before connecting the hose.
- To reduce the risk of falls, take extra care when cleaning stairs.
- Keep hair, loose clothing and fingers away from openings and moving parts.
- Only use and replace with recommended parts and attachments.
- **DO NOT** submerge the remote control hand grip in liquid.

4.3 Connection to the Power Supply

This appliance is supplied with an approved plug and cord for your safety.

If the power supply cord is damaged, it must be replaced by Draper Tools, an authorised service agent or similarly qualified personnel in order to avoid a hazard.

The damaged or incomplete plug, when cut from the cord, shall be disabled to prevent connection to a live electrical outlet.

This appliance is Class II* and is designed for connection to a power supply matching that detailed on the rating label and compatible with the plug fitted.

The value of the fuse fitted is marked on the pin face of the plug. Should the fuse need replacing, use a small plain-slot screwdriver to remove the fuse cover. Ensure the substitute is of the correct rating, approved to BS 1363/A and ASTA or BS Kite marked. This should only be performed by suitably qualified personnel.


ASTA

BSI

If an extension lead is required, use an approved and compatible lead rated for this appliance.

Follow all the instructions supplied with the extension lead.

Important: Always follow the extension lead instructions regarding maximum load while the cord is wound. It is recommended that the power cord and/or the extension lead are fully unwound before connecting to a power supply. A coiled extension lead generates heat which could melt the lead and cause a fire.

†Double insulated : This product is double insulated and does not require an earth connection to protect against electric shock from accessible conductive parts in the event of failure of the basic insulation.

It is recommended that this vacuum cleaner is used with a residual current device (RCD).

4.4 Residual Risk

The safety instructions in this manual cannot account for all possible conditions and situations that may occur. Exercise common sense and caution when using this product and protect against any additional conceivable risks.

5. Explanation of Symbols



Important: Read instruction manuals before operating and servicing this equipment.



For indoor use only; do not expose to rain



Warning!



WEEE –
Waste Electrical & Electronic Equipment
Do not dispose of Waste Electrical & Electronic Equipment in with domestic rubbish



Class II construction
(Double insulated)



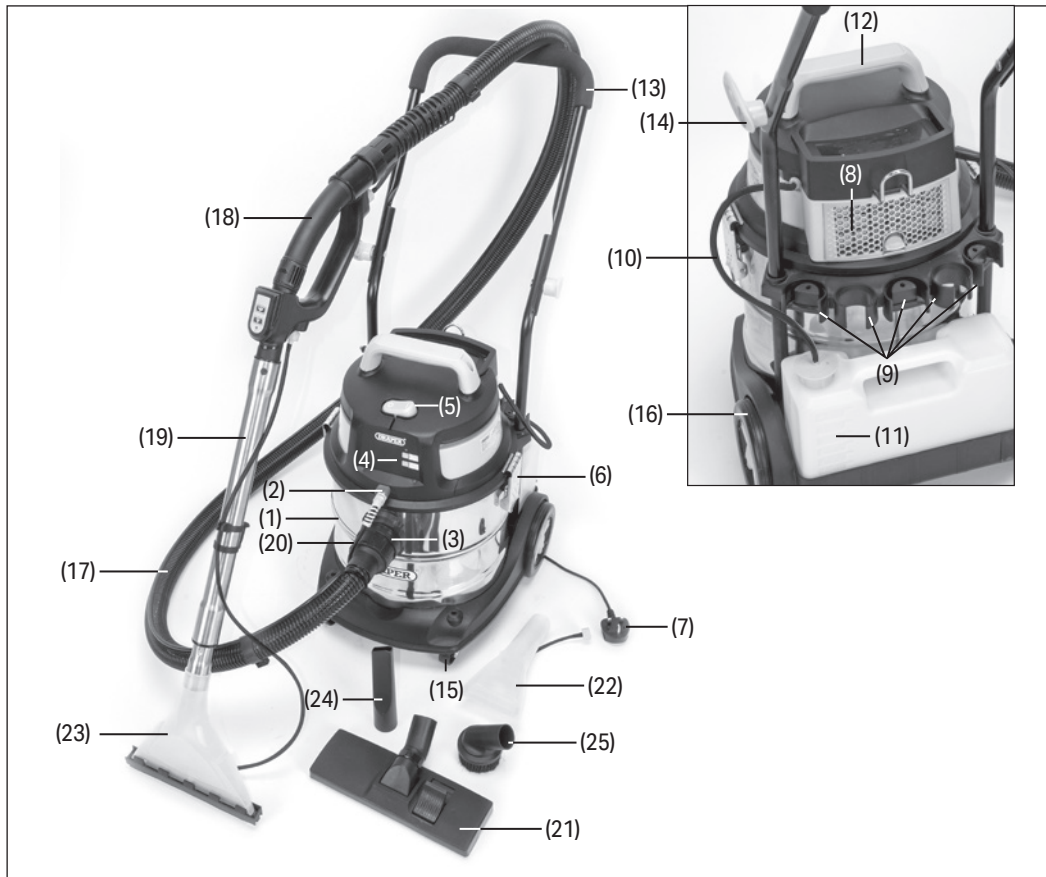
European conformity



UK Conformity Assessed

Please visit [drapertools.com](https://www.drapertools.com) for our full range of accessories and consumables.

6.1 Product Overview

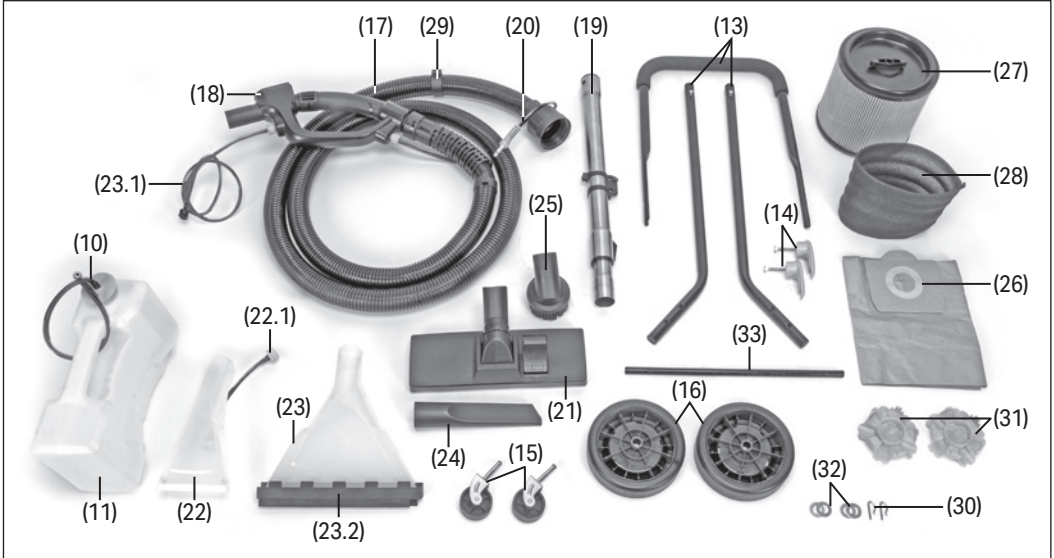


- (1) Tank.
- (2) Shampoo delivery socket.
- (3) Vacuum port.
- (4) Main vacuum/shampoo selection buttons.
- (5) Power on/off switch.
- (6) Tank catches x 2.
- (7) Cord and plug.
- (8) Motor housing filter.
- (9) Attachment tool storage.
- (10) Shampoo inlet hose and filter.
- (11) Shampoo tank.
- (12) Carry handle.
- (13) Push handle.
- (14) Handle fixing knob x 2.
- (15) Castors x 2.
- (16) Rear wheels x 2.
- (17) Flexible vacuum hose.
- (18) Shampoo/vacuum control handle grip.
- (19) Retractable extension tube.
- (20) Shampoo delivery hose.
- (21) Vacuum attachment for floors and carpets.
- (22) Small fluid nozzle for sofa and upholstery.
- (23) Large fluid nozzle.
- (24) Crevice attachment.
- (25) Round brush attachment for delicate surfaces.

6.2 What's in the Box?

Carefully remove the product from the packaging and examine it for any signs of damage that may have occurred during shipment. Before assembling the product, lay the contents out and check them against the parts shown

below. If any part is damaged or missing, do not attempt to use the product. Please contact the Draper Helpline; contact details can be found at the back of this manual.



- (10) Shampoo inlet hose and filter.
- (11) Shampoo tank.
- (13) Push handle.
- (14) Handle fixing knob.
- (15) Castors x 2.
- (16) Rear wheels x 2.
- (17) Flexible vacuum hose.
- (18) Shampoo/vacuum control handle grip.
- (19) Retractable extension tube.
- (20) Shampoo delivery hose (main).
- (21) Vacuum attachment for floors and carpets.
- (22) Small fluid nozzle for sofa and upholstery.
- (22.1) Shampoo delivery hose (small fluid nozzle).

- (23) Large fluid nozzle.
- (23.1) Shampoo delivery hose (large fluid nozzle).
- (23.2) Rubber sleeve.
- (24) Crevice attachment.
- (25) Round brush attachment.
- (26) Paper dust bag.
- (27) Cartridge filter.
- (28) Anti-foam filter.
- (29) Hose clips.
- (30) Wheel locking pins x 2.
- (31) Wheel hub caps x 2.
- (32) Wheel washers x 4.
- (33) Wheel axle.

6.3 Packaging

Keep the product packaging for the duration of the warranty period in case the product needs to be returned for repair.



WARNING! Keep packaging materials out of reach of children. Dispose of packaging correctly and responsibly and in accordance with local regulations.

Important: Before preparing or adjusting this product, read and understand all the safety instructions listed in this manual. Ensure that the vacuum cleaner is unplugged from the power supply before assembling.

7.1 Fitting the Push Handle (Fig.1 & Fig.2)

Note: The push handle must be attached before the two rear wheels are fitted.

1. Assemble the main hand grip (13.1) with the two uprights (13.2 & 13.3) and the handle fixing knobs (13.4 & 14) as shown in Fig. 1.
2. Slide the assembled handle (13) through the holes in the tool storage (9) section at the rear of the tank. Then push down into the slots (1.1) in the base – press down firmly until securely fitted in place.
3. To secure on each side, fit the supplied screws through the hole in the rear wheel housing (16.1) and the hole in the handle frame (13).

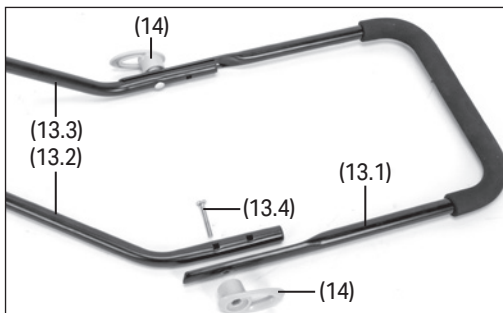


Fig. 1

7.2 Fitting the Rear Wheels (Fig. 3)

1. Add one of the washers (32) and pass one of the wheel locking pins (30) through the hole in the end of the wheel axle (33) and assemble as shown in Fig.3.
2. Pass the other end of the axle through the open end of the wheel housing (16.2) moulded bracket. Then out through the other side of the base.
3. Repeat assembly for the other wheel. Snap fit the two wheel hub caps (31) on.

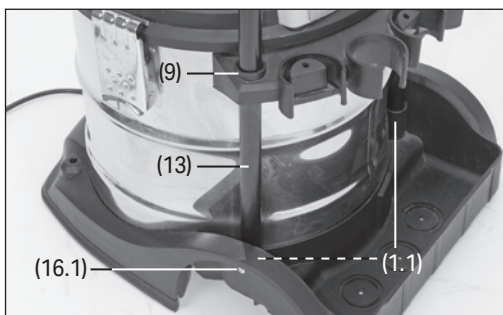


Fig. 2

7.3 Fitting the Castors (Fig. 4)

1. Fit the two castors (15) into the holes located on the underside of the base.

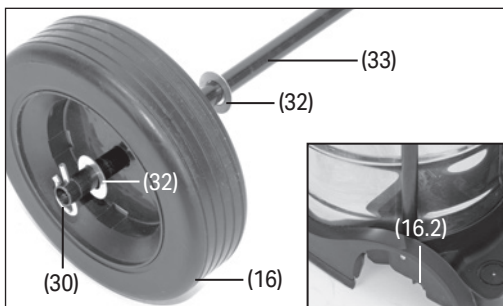


Fig. 3

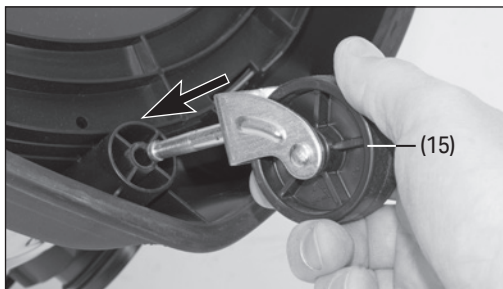


Fig. 4

7.4 Fitting and Replacing the Remote Control Handle Battery (Fig. 5 & Fig. 6)

1 X 23A (12V) alkaline battery required (not supplied).

1. To fit or replace the battery, push the release catch (18.3) using a screwdriver.
2. Remove the battery cover and fit the battery – ensuring the correct +/- orientation.
3. Clip the cover back on.

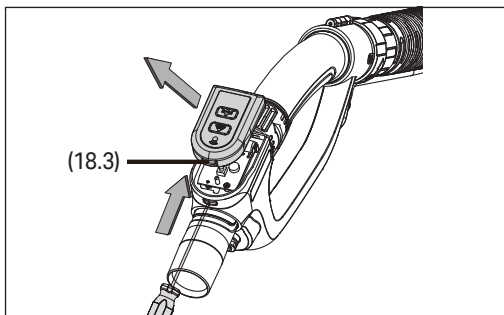


Fig. 5

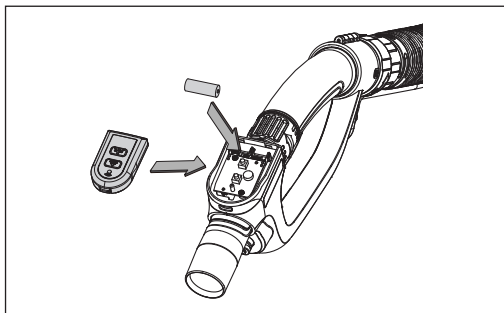


Fig. 6

8. Setting Up the Vacuum Cleaner

Important: Ensure the vacuum cleaner is unplugged from the power outlet before assembling.

8.1 Setting Up (Fig. 7 & Fig. 8)

1. Release the tank catches (6) and lift off the motor housing.
2. Fit the required correct filter.
 - **Cartridge filter (27)** and **paper dustbag (26)** for dry vacuuming (refer to **Section 9.1**). **NOT** suitable for wet vacuuming.
 - **Foam filter (28)** for wet vacuuming only (refer to **Section 9.2**). **NOT** suitable for dry vacuuming.
3. Refit the motor housing and secure using the two catches (6).
4. Push the connector end of the flexible hose (17) into the vacuum port (3) and turn to lock in place.
5. Insert the head end of the flexible hose (17) into the control handle grip (18) and turn to lock in place.
 - The grip is fitted with a suction power regulator device (18.1). For full suction power close the regulator device.
 - A remote on/off control (18.2) is incorporated in the grip for use both when shampooing and vacuuming.
6. Fit the extension tube (19) and the required attachment to the end of the hose – push fit to secure.
 - Use the floor and carpet attachment (21) on hard floors, parquet, cork, vinyl, ceramic etc.
7. Replace the motor housing and secure with the two catches.

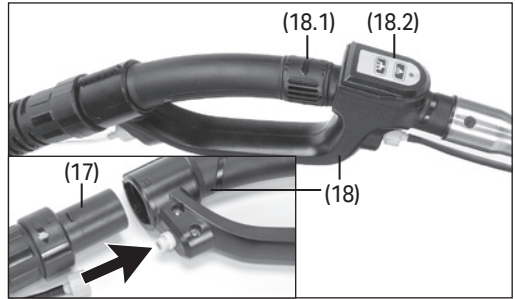


Fig. 7

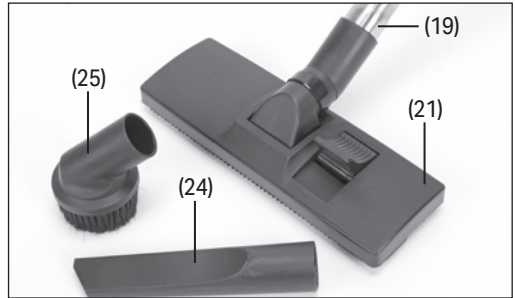


Fig. 8



Fig. 9

8.2 Switching ON (Fig. 9 & Fig. 10)

1. Connect to the power supply and turn on by pushing the 'ON/OFF' switch (5) to the ON 'I' position.
2. Then select either vacuum mode (4.1) or (18.4) or shampoo mode (4.2) or (18.5) by pressing the relevant button on the front of the motor housing or on the remote grip.



Vacuuming mode



Shampooing mode

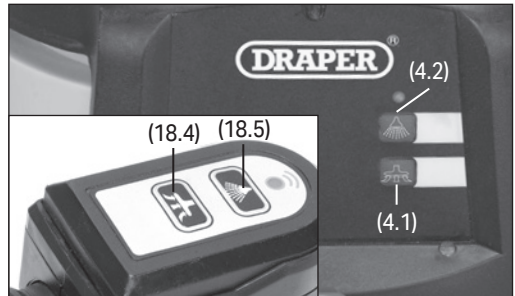


Fig. 10

Important: Before operating this product, read and understand all the safety instructions listed in this manual. Ensure that the product is fully assembled and correctly prepared for use.

- **DO NOT** operate the vacuum cleaner without the correct filter fitted.
- Empty the tank before changing between wet and dry vacuuming.

9.1 Dry Vacuuming (Fig. 11 & Fig. 12)

1. Ensure the vacuum is unplugged from the power outlet.
 2. Fit the cartridge filter (27.1) over the filter cage on the underside of the motor housing. Ensure that it is pushed down securely against the housing and fully covers the filter cage.
 3. Place the filter retainer (27.2) on top of the filter cartridge and turn the handle clockwise to secure.
 - To remove the cartridge filter turn the handle anticlockwise and slide the cartridge off the filter cage.
- **DO NOT** use the cartridge filter for liquid vacuuming.
 - Optional – for improved filtration, fit a suitable dust bag (26) as well as the cartridge filter. **NEVER** fit a paper dust bag without the cartridge being fitted.

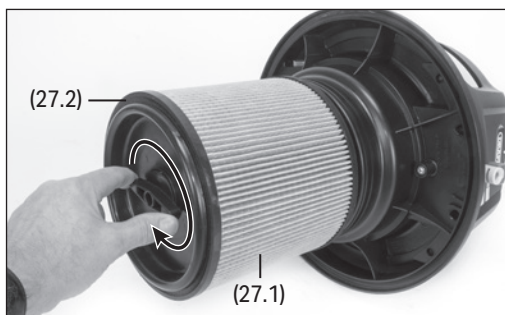


Fig. 11

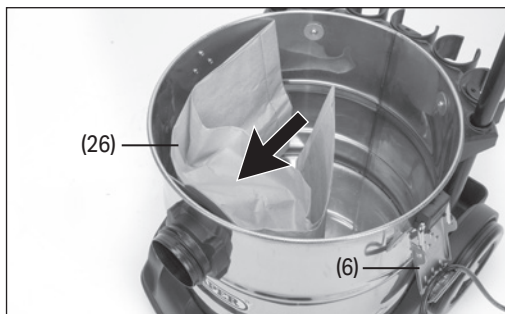


Fig. 12

9.2 Wet Vacuuming (Fig. 13 – Fig. 15)

1. Ensure the vacuum is unplugged from the power outlet.
 2. Remove the dust bag (26) and cartridge filter (27) if fitted. To remove the cartridge filter, turn the handle anticlockwise.
 3. Fit the foam filter (28) by carefully sliding the foam sleeve completely over the filter/float cage.
- **DO NOT** use the foam filter for dry vacuuming.

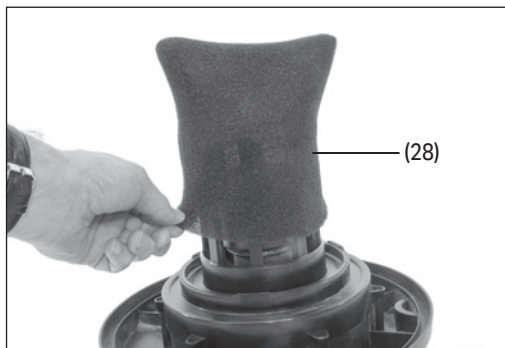


Fig. 13

Important:

- **Large Fluid Nozzle (23)** - Fit the large fluid nozzle to the retractable extension tube (19) for use on floors and other flat surfaces to pick up water dispersed over a large area.
- When vacuuming large quantities of liquids use the crevice attachment (24), **DO NOT** immerse the tool

nozzle completely in the liquid to allow for adequate air flow.

- The vacuum is fitted with a float regulator that will cause the motor to work harder and become noisier when the maximum liquid level is reached. Turn off and empty the tank.

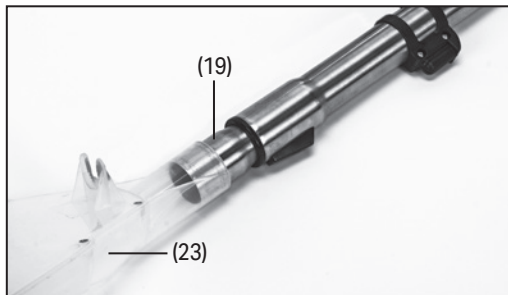


Fig. 14

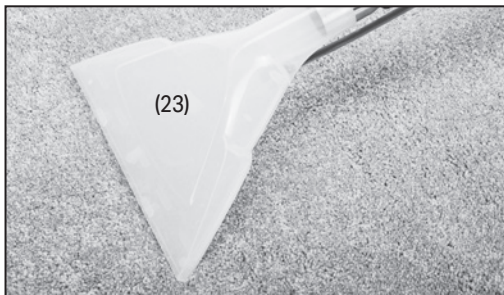


Fig. 15

10. Shampoo Function

10.1 Attaching the Shampoo Delivery Hose

(Fig. 16 & Fig. 17)

1. Attach the shampoo delivery hose (20) to the vacuum hose (17) using the clips (29) supplied.
 2. Attach the large plug end (20.1) of the shampoo delivery hose into the shampoo delivery socket (2) located on the front of the motor housing.
 3. Then attach the other end of the hose with the screw fitting (20.2) onto the shampoo/vacuum control handle grip.
- To release the shampoo delivery hose from the socket, push the red button (2.1) down.

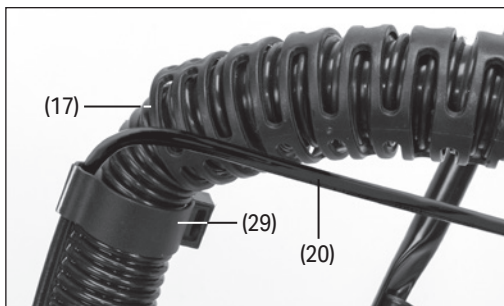


Fig. 16

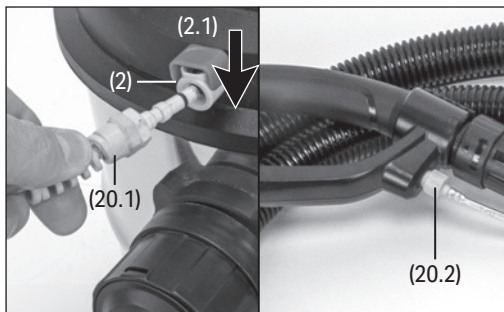


Fig. 17

10. Shampoo Function

10.2 Filling the Shampoo Tank (Fig. 18)

1. Fill the shampoo tank (11) with as much correctly diluted anti-foam shampoo as required. Always follow the shampoo manufacturer's ratio instructions.
 - The shampoo tank has a capacity of approximately 4 litres.
2. Fit the shampoo tank into its housing area at the rear.

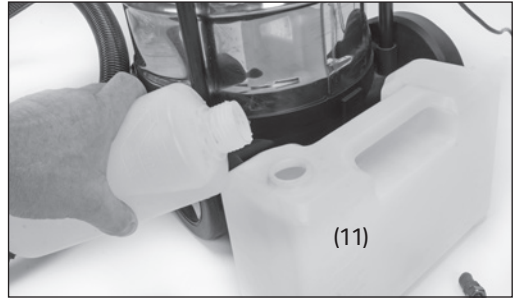


Fig. 18

10.3 Connecting Shampoo Inlet Hose and Filter (Fig. 19 & Fig. 20)

1. Place the sponge filter end of the shampoo inlet hose (10) into the shampoo tank (11). Then push fit the cap (10.1) onto the tank to close.
2. Connect the plastic plug on the other end of the shampoo inlet hose directly into the shampoo delivery inlet socket (10.2) on the side of the motor housing.

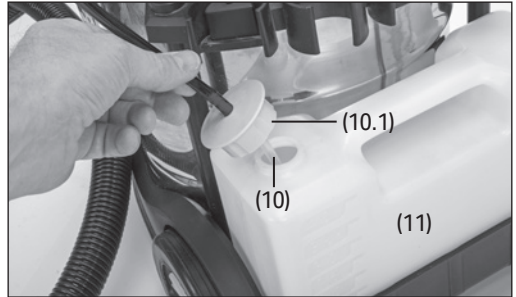


Fig. 19

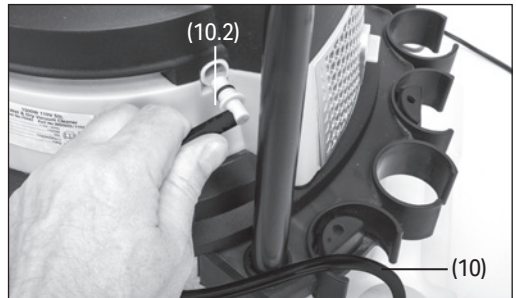


Fig. 20

10.4 Attaching Large Fluid Nozzle (Fig. 21 & Fig.22)

(Fig. 21 & Fig.22)

1. Set up for wet vacuuming – refer to **Section 9.2**.
2. Attach the main shampoo delivery hose – refer to **Section 10.1**.
3. Attach the shampoo delivery hose (23.1) to the large fluid nozzle (23) by slotting the spray end (23.2) into the plastic bracket (23.3) located on the underside of the attachment.

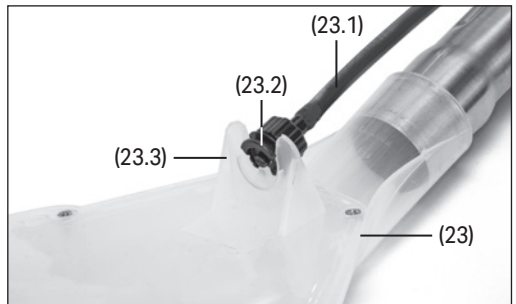


Fig. 21

10. Shampoo Function

4. Connect the other screw fitting end of the delivery hose (23.4) to the shampoo/vacuum control handle grip.



Fig. 22

NOTES: (Fig. 23)

- Fit the rubber sleeve (23.2) to the large nozzle (23) when cleaning hard floors.
- Always test clean a small hidden piece of carpet/ material to check the fastness of the colour.

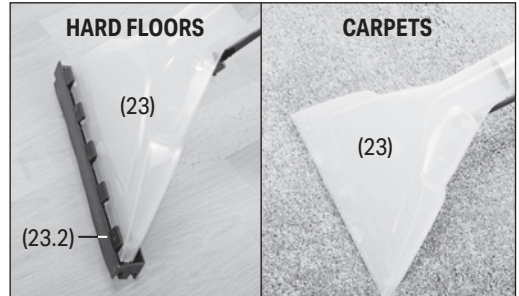


Fig. 23

10.5 Attaching the Small Fluid Nozzle

(Fig. 24 & Fig. 25)

1. Set up for wet vacuuming – refer to **Section 9.2**.
2. Attach the main shampoo delivery hose – refer to **Section 10.1**.
3. Connect the small fluid nozzle (22) directly onto the control handle grip (18). Attach the delivery hose (22.1), to the fitting on the grip (22.2) and turn to secure.

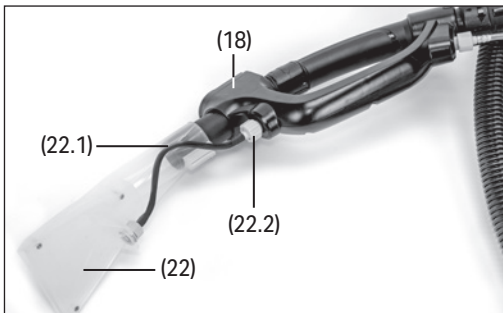


Fig. 24

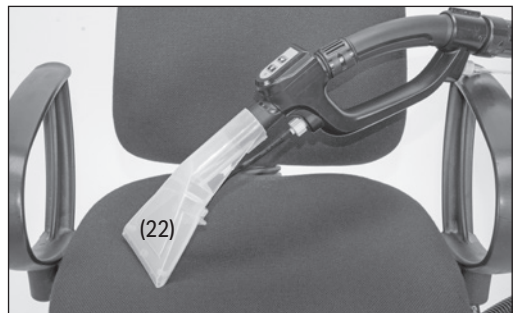


Fig. 25

Important: Always unplug from the power supply before carrying out any adjustments, cleaning, servicing or maintenance.

11.1 General Maintenance

- Clean and maintain the vacuum correctly and regularly to ensure optimum performance.
- Clean the cartridge filter regularly with a soft brush.
- Regularly clean the foam filter using a mild soap & water.
- **Wet Vacuuming** - To prevent the risk of mildew, empty the tank and clean both inside and outside. Remove the foam filter and allow to dry before storage.
- **DO NOT** use abrasives or solvents to clean this product.
- The motor must be correctly ventilated during operation, so avoid blocking the air inlets.
- If the plug or power supply cord is damaged it must, for safety reason be replaced by Draper tools, an authorised repairer or similarly qualified person in order to avoid a hazard.
- When not in use, store in a safe, dry and childproof location.

11.2 Motor Housing Filter (Fig. 26)

- Periodically clean the filter to maximum performance.
- To remove the filter, push the filter housing tab (8.1) up and lift off.
- Pull out the filter and gently tap or brush off any dirt or dust.
- Refit the filter and clip the housing back on after cleaning.

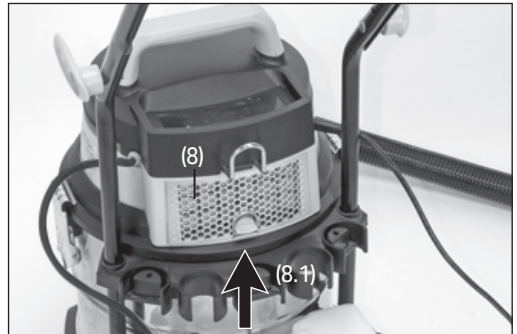


Fig. 26

11.3 Troubleshooting

| Problem | Possible Cause | Remedy |
|---|--|--|
| Vacuum not operating. | No power supply. | Check unit plugged in and power supply is working correctly. |
| | Faulty power cord. | Unplug and examine power cord. If damaged, contact the Draper Tools helpline for assistance. |
| | Switch not in the on 'I' position. | Move the switch to the 'I' position. |
| | Collection tank full. | Empty tank. |
| Dust coming from motor housing. | Cartridge filter is missing or damaged. | Fit or replace cartridge filter. |
| Reduced efficiency and motor noisy or vibrations noted. | Liquid at maximum level in tank. | Empty tank. Remove and wash foam filter. Replace when dry. |
| | Blockage in tool, hose or tank collection inlet. | Unplug vacuum and check for blockage and clear. |
| | Cartridge filter blocked by fine dust. | Clean or replace filter. |

12. Spares, Returns and Disposal

For spare parts, servicing, and repair and replacement options, please contact the Draper Tools Product Helpline for details of your nearest authorised agent.

Draper Tools will endeavour to hold any spare parts, if applicable, for seven years from the date that it sells the final matching stock item.

Any servicing or repairs carried out by unauthorised personnel or installation of spare parts not supplied by Draper Tools will invalidate your warranty.

At the end of its working life, dispose of the product responsibly and in line with local regulations. Recycle where possible.

- **DO NOT** dispose of this product with domestic waste; most local authorities provide appropriate recycling facilities.
- **DO NOT** burn or mutilate batteries; this may release toxic or corrosive substances.



13. Warranty

Draper Tools products are carefully tested and inspected before shipment and are guaranteed to be free from defective materials and workmanship.

Should the tool develop a fault, return the complete tool to your nearest distributor or contact Draper Tools directly. Contact information can be found at the back of this manual.

Proof of purchase must be provided.

If, upon inspection, it is found that the fault occurring is due to defective materials or workmanship, repairs will be carried out free of charge. This warranty period covers parts and labour for 12 months from the date of purchase.

Where tools have been hired out, the warranty period covers 90 days from the date of purchase.

This warranty does not apply to any consumable parts, batteries or normal wear and tear, nor does it cover any damage caused by misuse, careless or unsafe handling, alterations, accidents, or repairs attempted or made by any personnel other than the authorised Draper Tools repair agent.

In all cases, to make a claim for faulty workmanship or materials within the standard warranty period, please contact or return the product to the place of purchase.

Proof of purchase may be required.

If the place of purchase is no longer trading or if you experience any difficulties with your warranty, please contact Customer Services with the product details and your proof of purchase. Contact details can be found at the back of this manual. If the tool is not covered by the terms of this warranty, repairs and carriage charges will be quoted and charged accordingly.

This warranty supersedes any other guarantees expressed or implied and variations of its terms are not authorised.

Your Draper Tools guarantee is not effective until you can produce, upon request, a dated receipt or invoice to verify your purchase within the guarantee period.

Please note that this warranty is an additional benefit and does not affect your statutory rights.

Draper Tools Limited

Contact Details

Draper Tools

Draper Tools Limited
Hursley Road
Chandler's Ford
Eastleigh
Hampshire
SO53 1YF
UK

Website: drapertools.com

Email: sales@drapertools.com

Product Helpline: +44 (0) 23 8049 4344

Telephone Sales Desk: +44 (0) 23 8049 4333

General Enquiries: +44 (0) 23 8026 6355

Delta International

Delta International BV
Oude Graaf 8
6002 NL
Weert
Netherlands

Please contact the Draper Tools Product Helpline for repair and servicing enquiries.