



# Conexis® Smart Door Lock 3 Step Compatibility Guide

1.

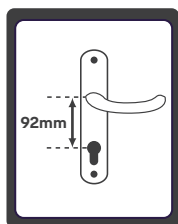
## Centre Measurement

Measure the distance between the centre of the cylinder and the centre of the door handle/spindle. This must be **92mm**.

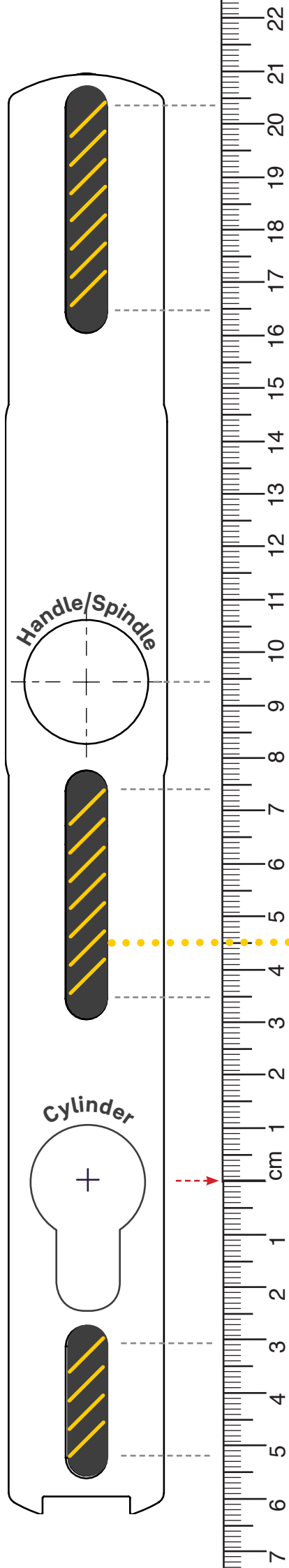
(We recommend you remove the internal handle for accurate measurements)



## Critical Measurement



92mm  
(Centres)



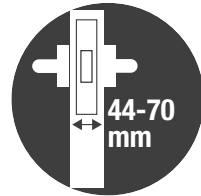
2.

## Door Thickness

When measuring your door ensure the thickness is between **44-70mm**.



## Critical Measurement



3.

Taking the centre of the cylinder as a start point - Ensure at least 2 out of 3 yellow striped zones align with existing screw holes on your door. The **Conexis® Smart Door Lock** is adjustable within these areas.

The Conexis® Smart Door Lock is **NOT** compatible with the '**Avantis**' brand of multipoint door locks. '**Avantis**' multipoint door locks are distinguishable by having the locking bolt above the latch bolt.