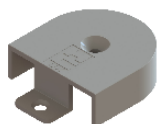


FITTING INSTRUCTIONS FOR SELF CLOSER

CONTENTS



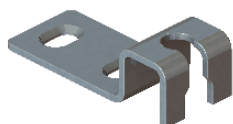
6X ELASTIC CORD GUIDE



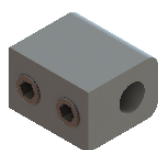
1X PLASTIC WHEEL COVER



1X ROLLER



1X METAL BRACKET



1X PLASTIC CORD RETAINER



1X ELASTIC CORD



1X 8x1" SCREW

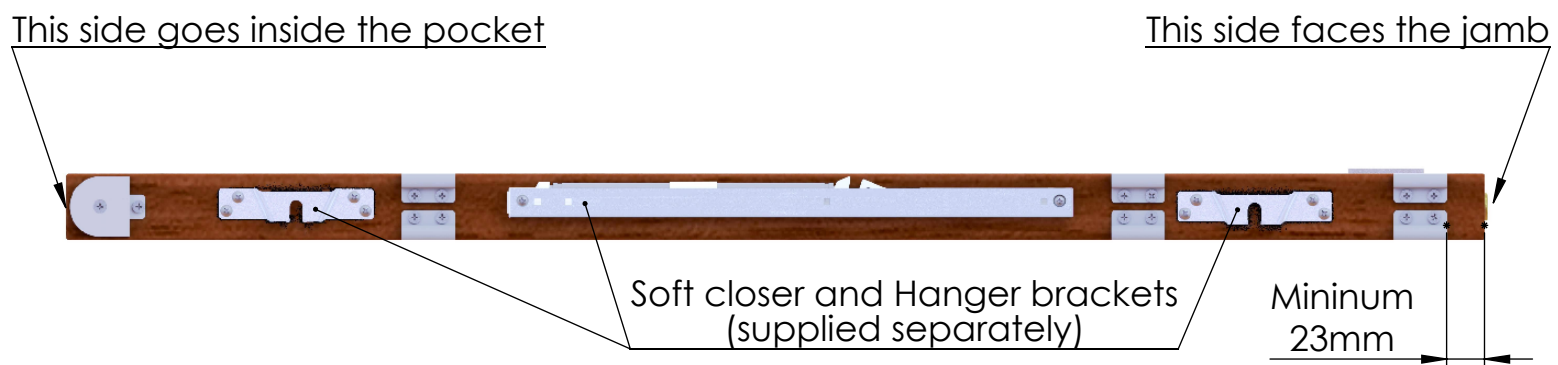
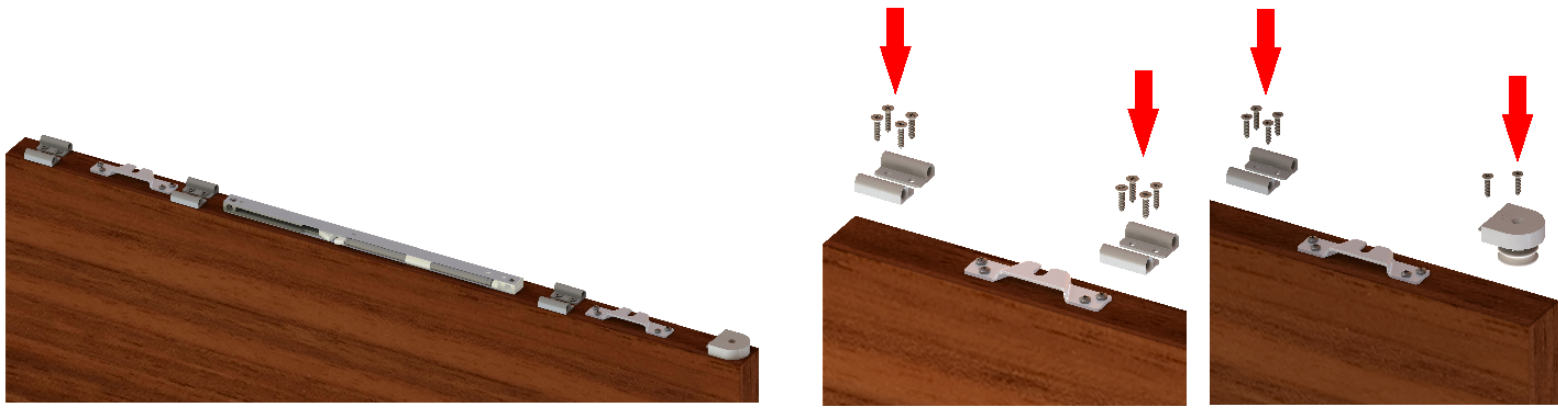


15x 6x3/4" SCREWS

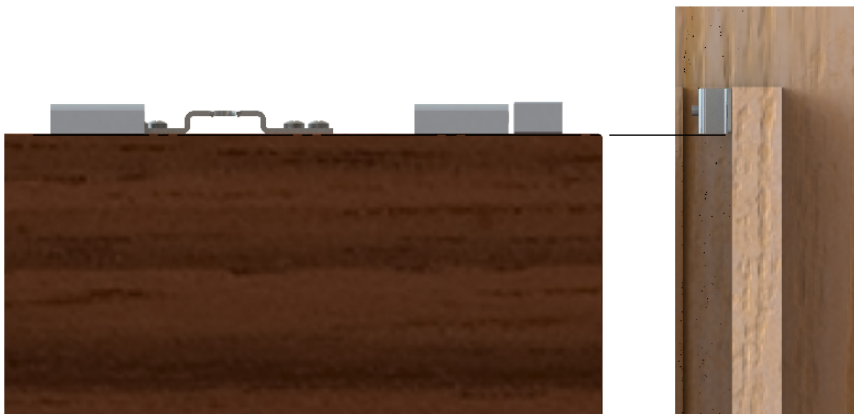


1x ALLEN KEY

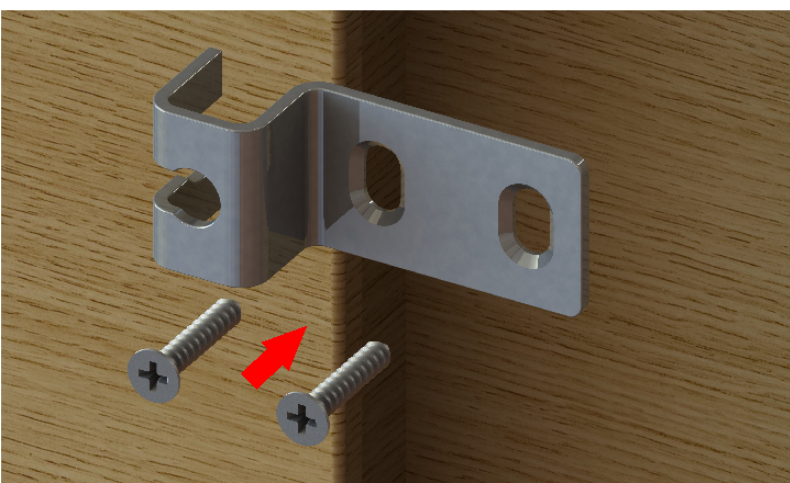
Installing the elastic cord guides and the roller with the plastic cover **Step 1**



Installing metal bracket **Step 2**

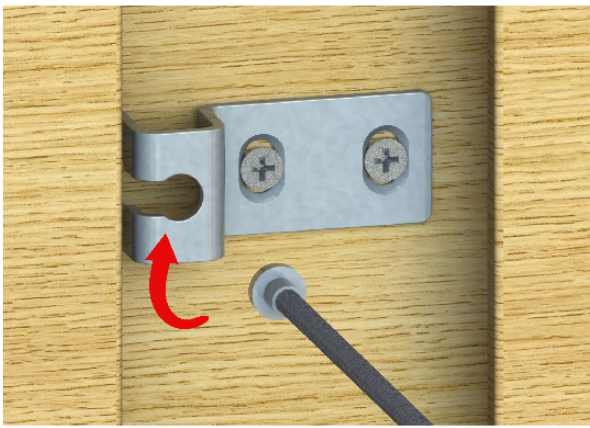


Position the metal bracket above the door, so that it doesn't interfere with movement of the door

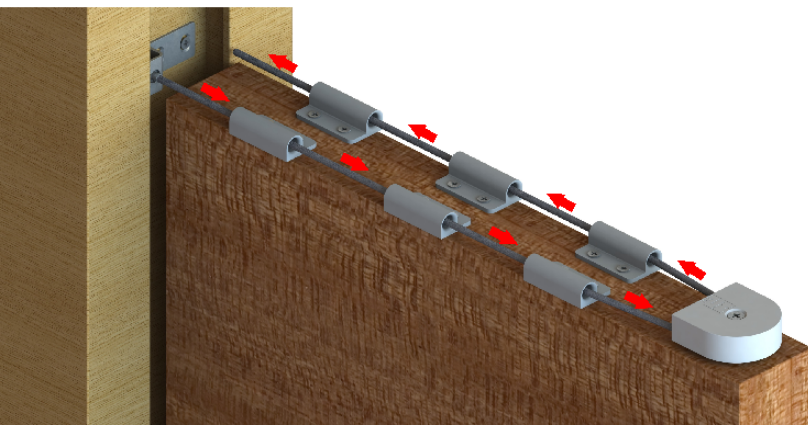


Secure the bracket to the door post with screws

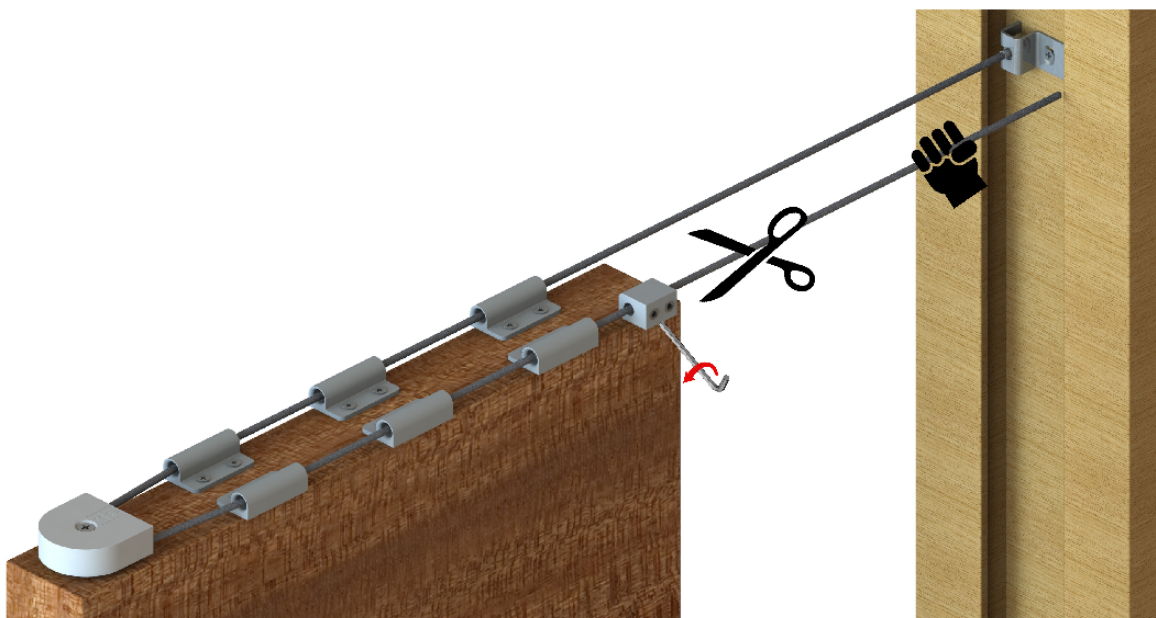
(Ensure that the captive end of the bracket faces away from the plastic cord retainer)



Insert the end of the elastic cord with the metal cap into the bracket



Thread the other end of the elastic cord through all the plastic guides



1. Push the door to the fully open position
2. Adjust the closing force by pulling the elastic cord
3. Fix the cord retainer to the elastic cord after the last plastic guide by tightening the 2 hex screws
4. Cut the surplus of the cord

Self Closer



Hillaldam Coburn Ltd

Unit 1, Cardinal West, Cardinal Way,
Godmanchester, PE29 2XN, United Kingdom

Phone: +44 (0)20 8545 6680

Fax: +44 (0)20 8545 6720

E-mail: sales@coburn.co.uk

www.coburn.co.uk