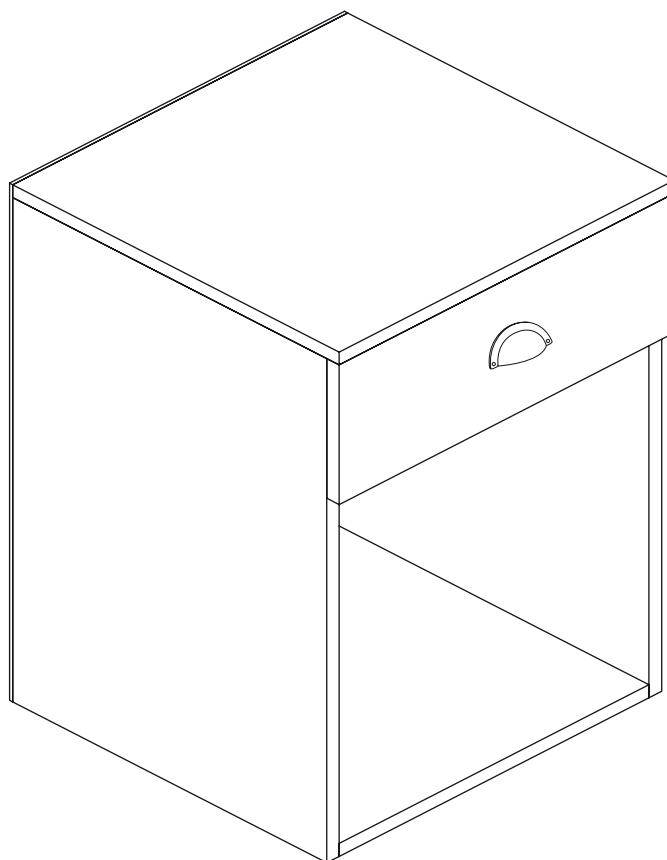


Hi there,

Meet your new  
Lloyd Pascal

# 1 Drawer Bedside Cabinet



**lloyd** Est. 1919  
**pascal**  
we love home

## Customer Helpline

If you need help or have damaged or missing parts, call our customer helpline 0121 776 5720

Assembly instructions- Please keep for future reference

228.80.056M

228.94.056M

228.95.056M

Issue 2: 22/02/22

#welovehome

# lloyd pascal

Est.  
1919

we love home

## Welcome to the Lloyd Pascal family established in 1919

We would love to see your new product in its new home. **Share your experience** by taking a picture of your new LP product and **post it on social media tagging** #welovehome #Lloydpascal #LPfurniture #LPHome

**Connect with Us:** Using your mobile camera, scan the QR bar code below of your favourite social media channel and follow us!



### Are you loving/satisfied with your new purchase?

**Yes:** That's perfect. **It would make our day** if you could leave us a **review on our social media channels**. Your feedback will help us develop even better products to love.

**No:** If for any reason your enjoyment of our product is on Hold then **let the retailer** that you purchased your item from know **or contact us** and we will resolve your issue as quickly as possible.

# Safety and Care Advice

## IMPORTANT, RETAIN FOR FUTURE REFERENCE: READ CAREFULLY.

- Keep children and animals away from the work area, small parts could choke if swallowed.

- Make sure you have enough space to layout the parts before starting.

- This product has been constructed to be used in the domestic environment only and not for commercial purposes.

- Assemble the item as close to its final position (in the same room) as possible.

- Assemble on a soft level surface to avoid damaging the unit or your floor.



- We do not recommend the use of power drill/drivers for inserting screws as this could damage the unit. Only use

hand screwdrivers.

- Parts of the assembly will be easier with 2 people.

- Dispose of all packaging carefully and responsibly.

## Care and maintenance

- Only clean using a damp cloth and mild detergent. Do not use abrasive cleaners.

- From time to time check that there are no loose screws, nuts or bolts. If there are please re-tighten.

- This product should not be discarded with household waste. Take to your local authority waste disposal centre.

## Additional Guidance

- Assemble all parts and bolts loosely during assembly, only once the product is complete should you fully tighten the bolts.

- Regularly check and ensure that all bolts and fittings are tightened properly.

### WARNING

**In order to help prevent overturning- please follow these instructions**

**To help prevent product toppling over please follow the steps below:**

- Must use the anti tip strap or wall fixing method provided (whichever applies)
- Do not allow children to climb or hang on the furniture
- Do not open more than one drawer at a time
- Do not place heavy items in the top drawer
- Do not place heavy items on top of the furniture, unless the furniture has been designed for this purpose

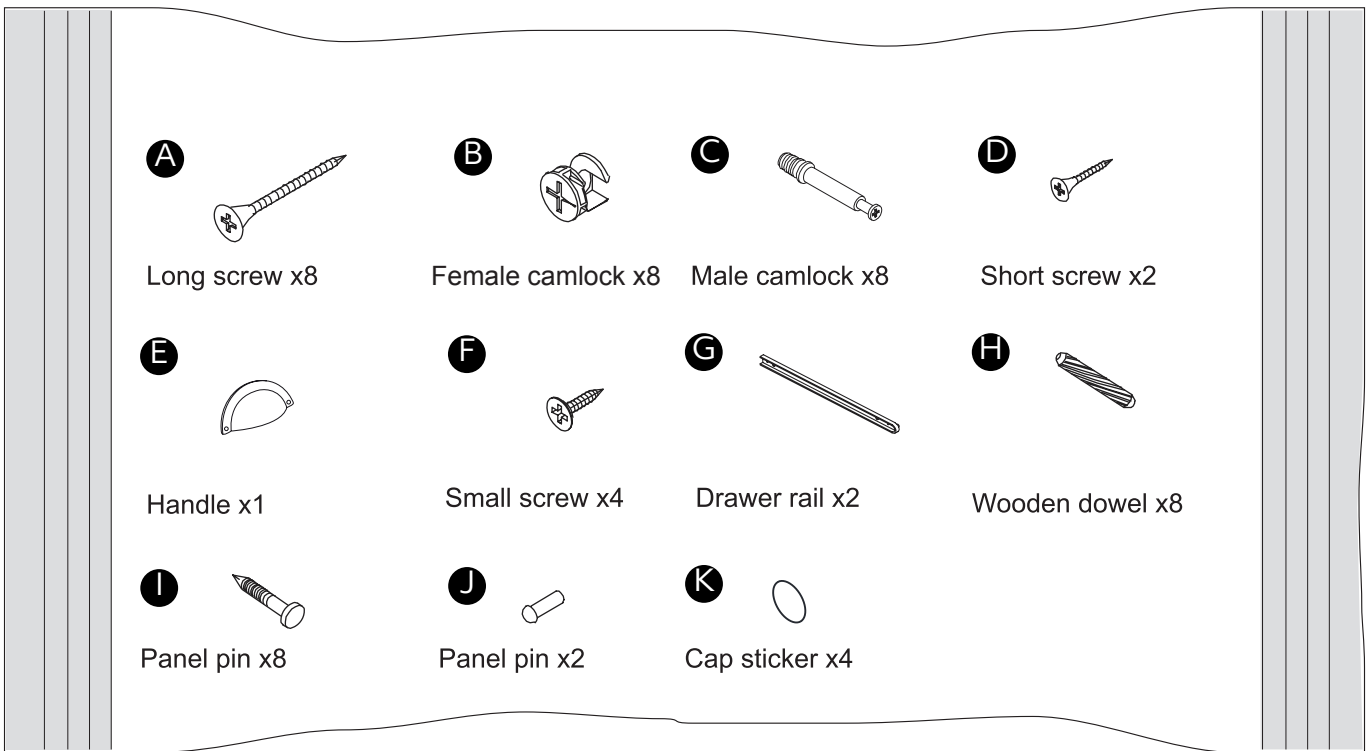
Please note that only the anti tip strap is provided. You will need to supply wall plugs and screws applicable for your wall type.

# Fittings

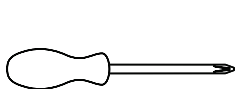
Please check that you have all the fittings listed below:

NOTE: The quantities below are the correct amount to complete the assembly. In some cases more fittings may be supplied than required.

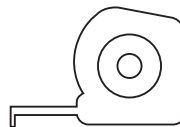
## Bag 1



## Tools required



Phillips screwdriver  
(small & medium)



Ruler/tape  
measure



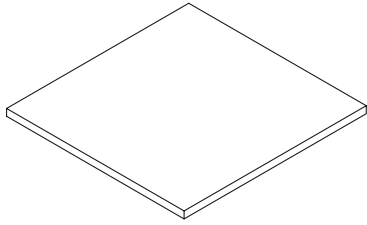
Flathead screwdriver  
(small & medium)

**lloyd**  
**pascal**  
we love home

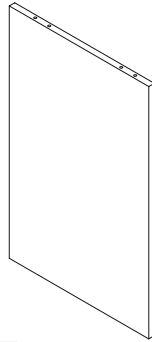
Est.  
1919

# Panels

---



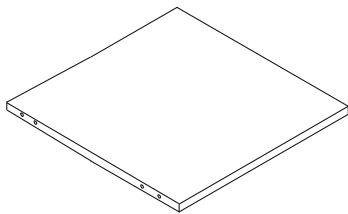
**1** Top panel x1



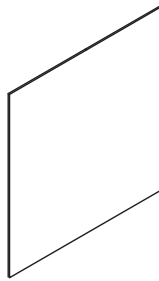
**2** Left side panel x1



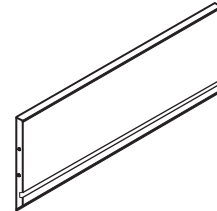
**3** Right side panel x1



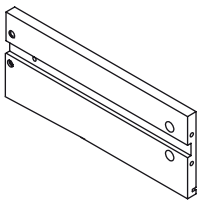
**4** Bottom panel x1



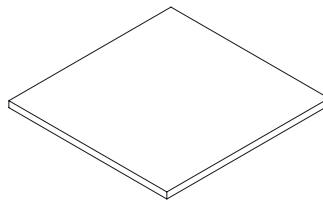
**5** Back panel x1



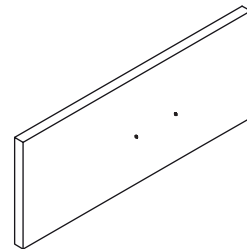
**6** Back bar panel x1



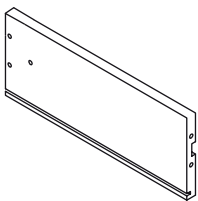
**7** Left drawer panel x1



**8** Drawer base panel x1

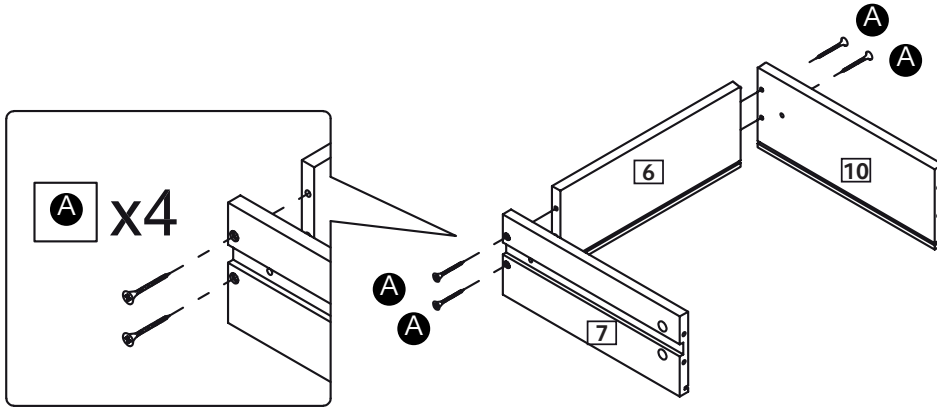
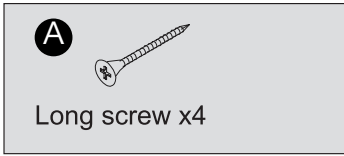


**9** Front drawer panel x1

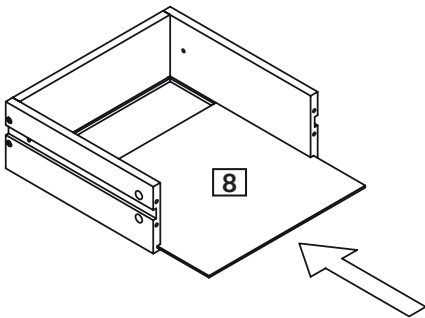


**10** Right drawer panel x1

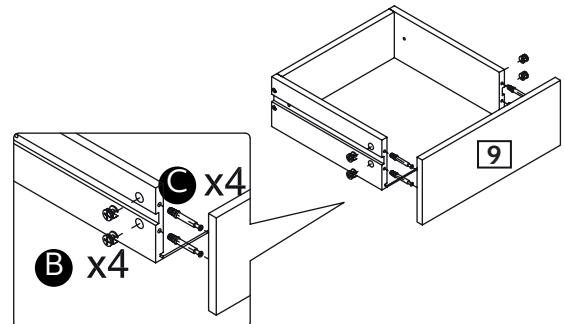
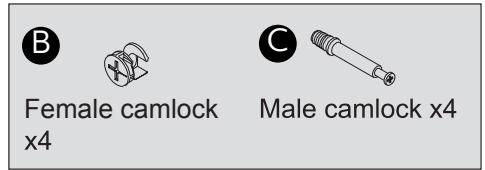
# 1



# 2



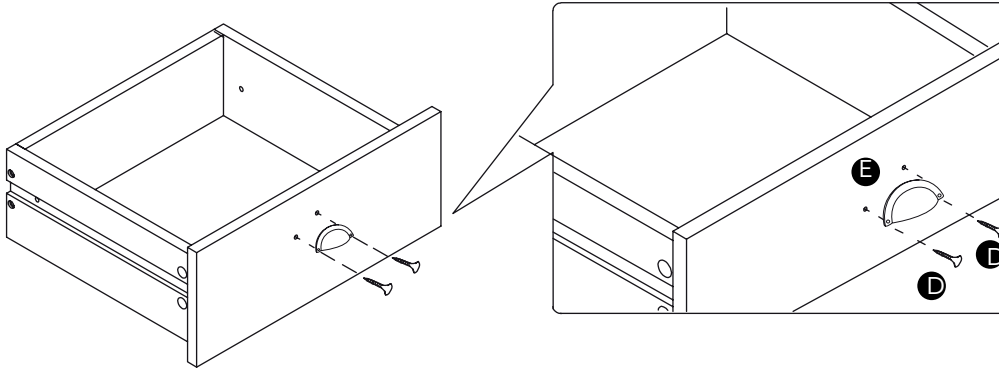
# 3





**lloyd** Est. 1919  
**pascal**  
we love home

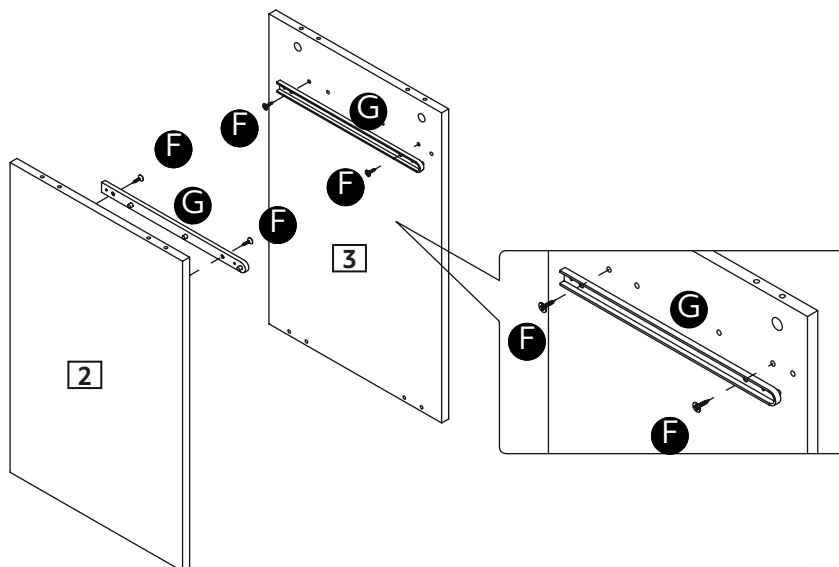
# 4

**D**  **E**   
Short screw x2    Handle x1






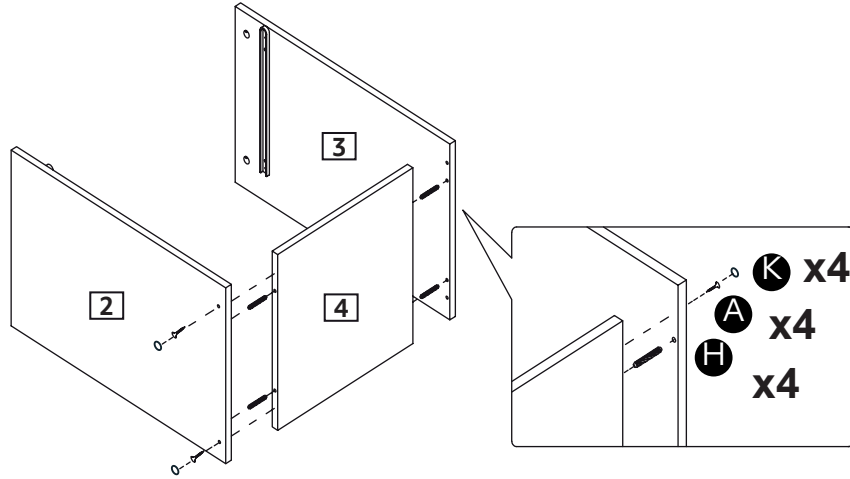
# 5

**F**  **G**   
Small screw x4    Drawer rail x2


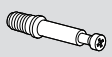


# 6

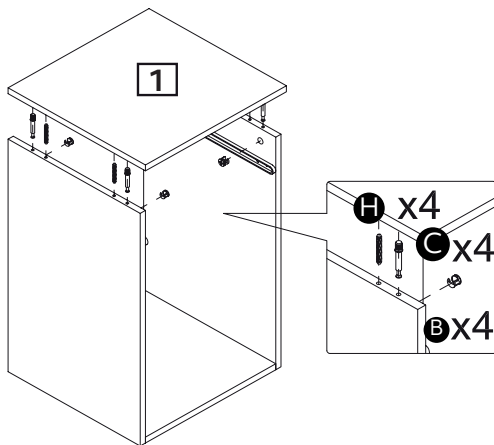
**A**  Long screw x4    **H**  Wooden dowel x4    **K**  Cap sticker x4



# 7

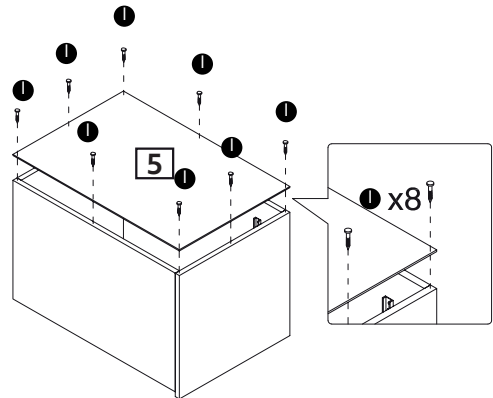
**B**  Female camlock x4    **C**  Male camlock x4

**H**  Wooden dowel x4

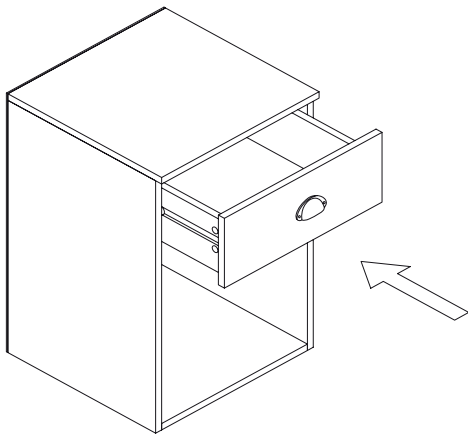


# 8

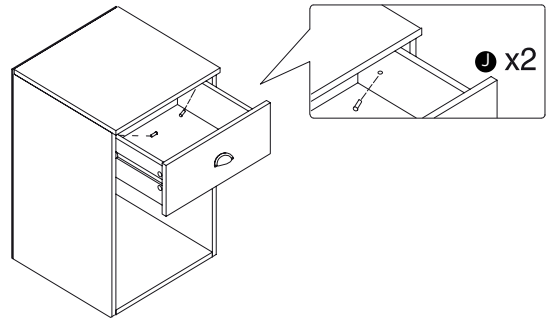
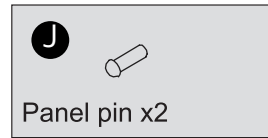
**I**  Panel pin x8



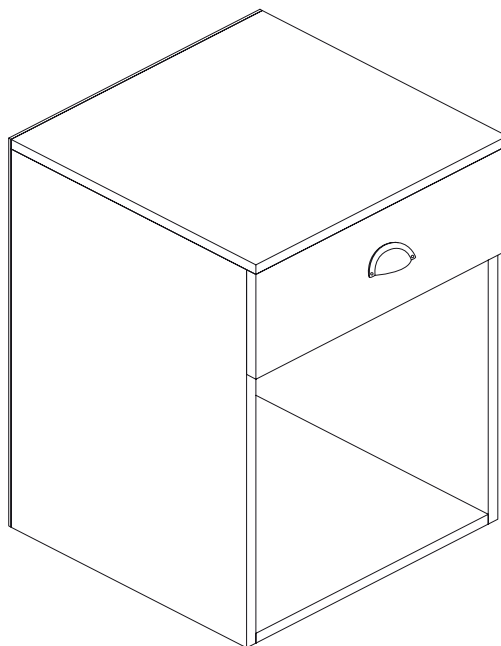
# 9



# 10



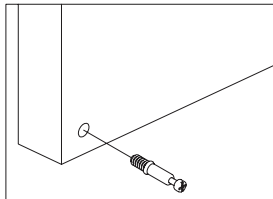
# 11



# Using camlocks

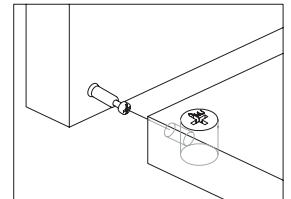
## Step 1

Connect the male camlock as directed in the assembly instructions using a screwdriver.



## Step 3

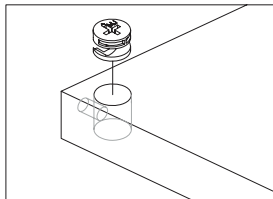
Push the male camlock into every hole.



## Step 2

Insert the female camlock as shown in the instructions.

Note: Ensure that the arrow on the top of the camlock points towards the entry hole for the male camlock.



## Step 4

Turn the female camlock with a screwdriver. You should feel a click when the camlock is locked in place. The joint is now secure.

