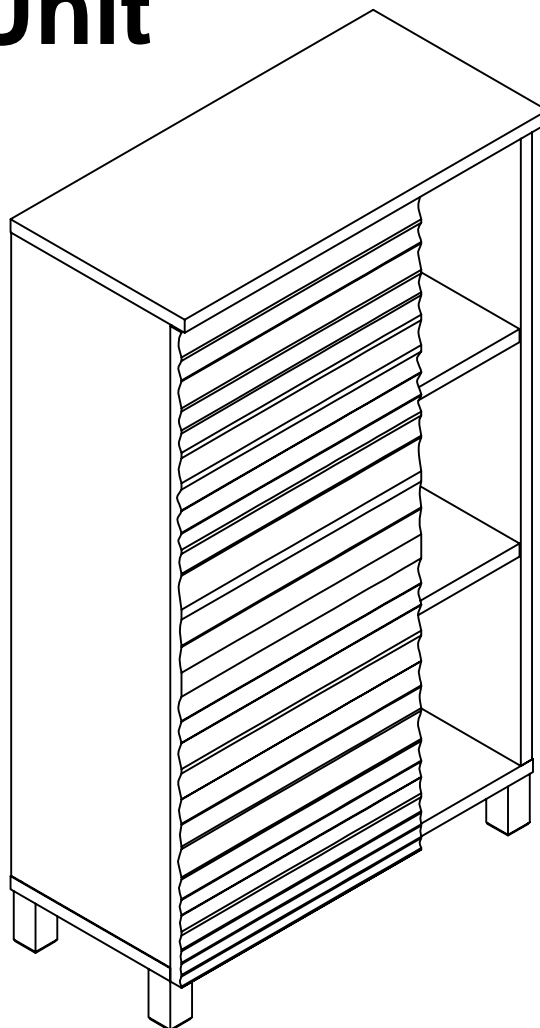


Hi there,

Meet your new  
Lloyd Pascal  
**Console  
Storage Unit**

**lloyd** Est.  
1919  
**pascal**  
we love home



**Customer Helpline**

If you need help or have damaged or missing parts, call our customer helpline **0121 776 5720**

Assembly instructions- Please keep for future reference- **260.94.170M GREY**  
**260.96.170M WHITE**

# lloyd pascal

Est.  
1919

we love home

## Welcome to the Lloyd Pascal family established in 1919

We would love to see your new product in its new home. **Share your experience** by taking a picture of your new LP product and **post it on social media tagging** #welovehome #Lloydpascal #LPfurniture #LPHome

**Connect with Us:** Using your mobile camera, scan the QR bar code below of your favourite social media channel and follow us!



### Are you loving/satisfied with your new purchase?

**Yes:** That's perfect. **It would make our day** if you could leave us a **review on our social media channels**. Your feedback will help us develop even better products to love.

**No:** If for any reason your enjoyment of our product is on Hold then **let the retailer** that you purchased your item from know **or contact us** and we will resolve your issue as quickly as possible.

# Safety and Care Advice

## IMPORTANT, RETAIN FOR FUTURE REFERENCE: READ CAREFULLY.

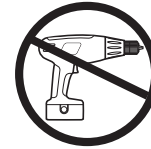
- Keep children and animals away from the work area, small parts could choke if swallowed.

- Make sure you have enough space to layout the parts before starting.

- This product has been constructed to be used in the domestic environment only and not for commercial purposes.

- Assemble the item as close to its final position (in the same room) as possible.

- Assemble on a soft level surface to avoid damaging the unit or your floor.



- We do not recommend the use of power drill/drivers for inserting screws as this could damage the unit. Only use

hand screwdrivers.

- Parts of the assembly will be easier with 2 people.

- Dispose of all packaging carefully and responsibly.

## Care and maintenance

- Only clean using a damp cloth and mild detergent. Do not use abrasive cleaners.

- From time to time check that there are no loose screws, nuts or bolts. If there are please re-tighten.

- This product should not be discarded with household waste. Take to your local authority waste disposal centre.

## Glue safety - Take care when using glue, please follow the advice below

Skin contact: Remove contamination by washing with soap and water. procedure should also be followed prior to eating and drinking.

Eye contact: Rinse immediately with clean water for 15 minutes and seek medical advice.

If swallowed: Seek medical advice immediately.

## Additional Guidance

- Assemble all parts and bolts loosely during assembly, only once the product is complete should you fully tighten the bolts.

- Regularly check and ensure that all bolts and fittings are tightened properly.

### WARNING

**In order to help prevent overturning- please follow these instructions**

**To help prevent product toppling over please follow the steps below:**

- Must use the anti tip strap or wall fixing method provided (whichever applies)
- Do not allow children to climb or hang on the furniture
- Do not open more than one drawer at a time
- Do not place heavy items in the top drawer
- Do not place heavy items on top of the furniture, unless the furniture has been designed for this purpose

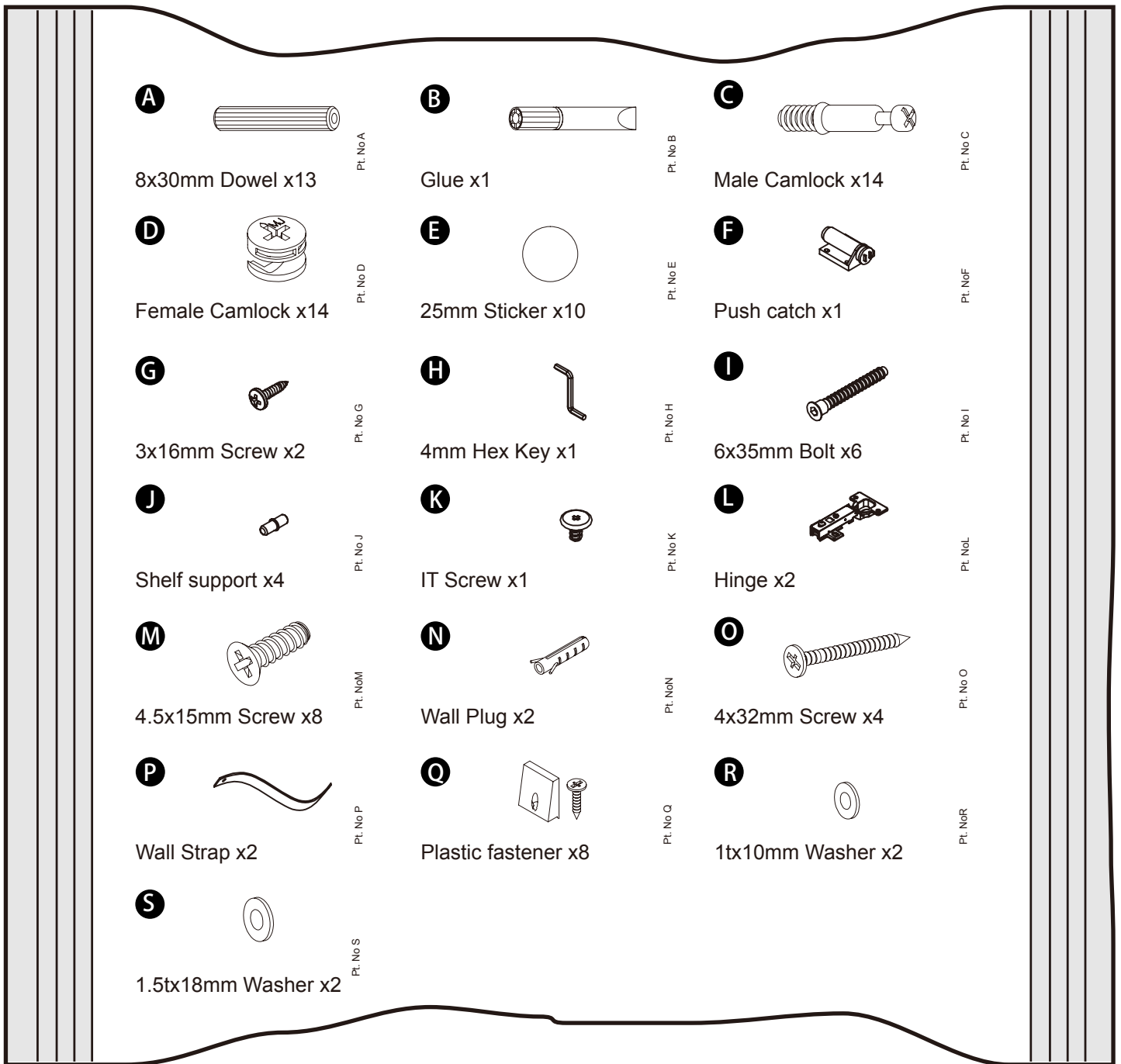
Please note that only the anti tip strap is provided. You will need to supply wall plugs and screws applicable for your wall type.

# Fittings

Please check that you have all the fittings listed below:

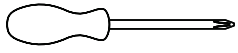
NOTE: The quantities below are the correct amount to complete the assembly. In some cases more fittings may be supplied than required.

## Bag 1

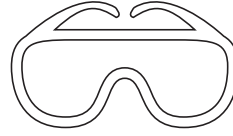


# Tools required

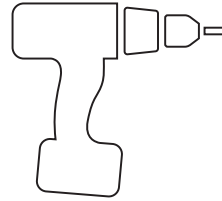
---



Phillips Screwdriver  
(small and medium)



Eye protection  
(when using glue)



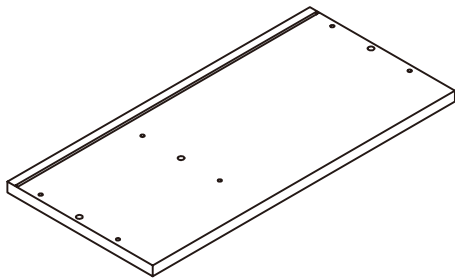
Power Drill



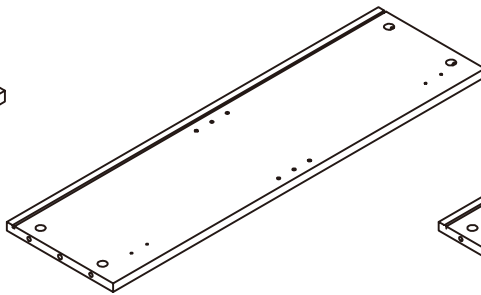
Drill Bit

# Panels

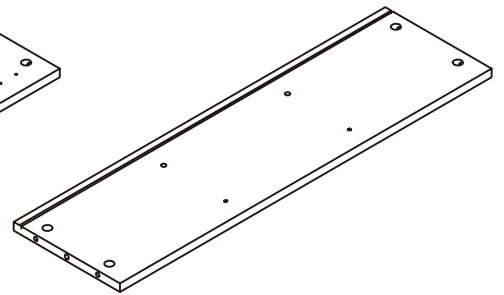
---



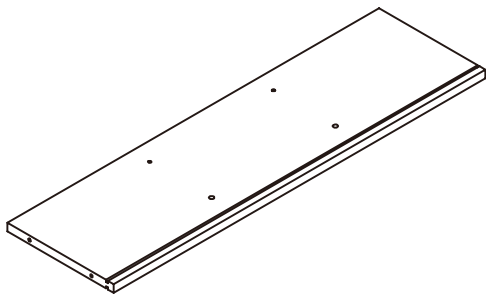
**1** Top x1 (50cm x24cm)



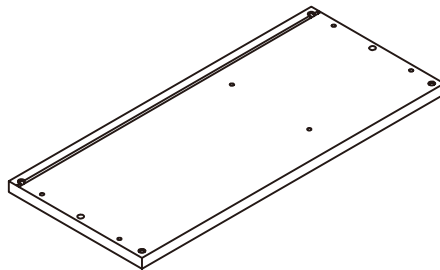
**2** Left Side Panel x1 (77cm x21.8cm)



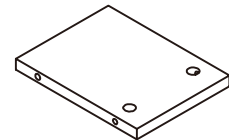
**3** Right Side Panel x1 (77cm x21.8cm)



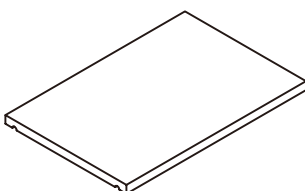
**4** Upright x1 (77cm x21.8cm)



**5** Bottom x1 (50cm x21.9cm)



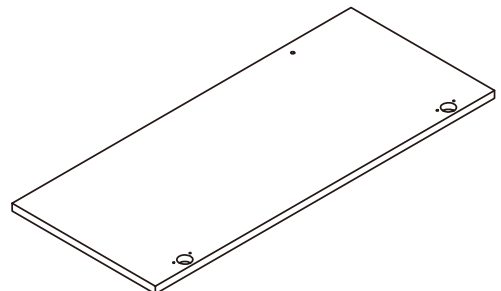
**6** Shelves x2 (15.4cm x20cm)



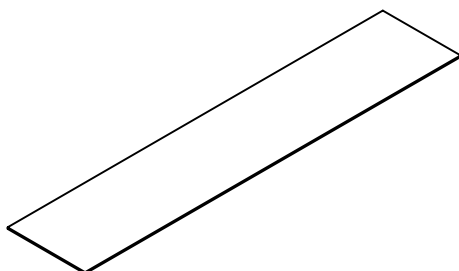
**7** Adjust Shelf x1 (20cm x29.7cm)



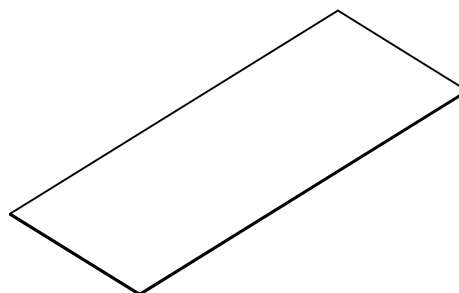
**8** Leg x4 (3cm x6cm)



**9** Door x1 (32.7cm x78cm)

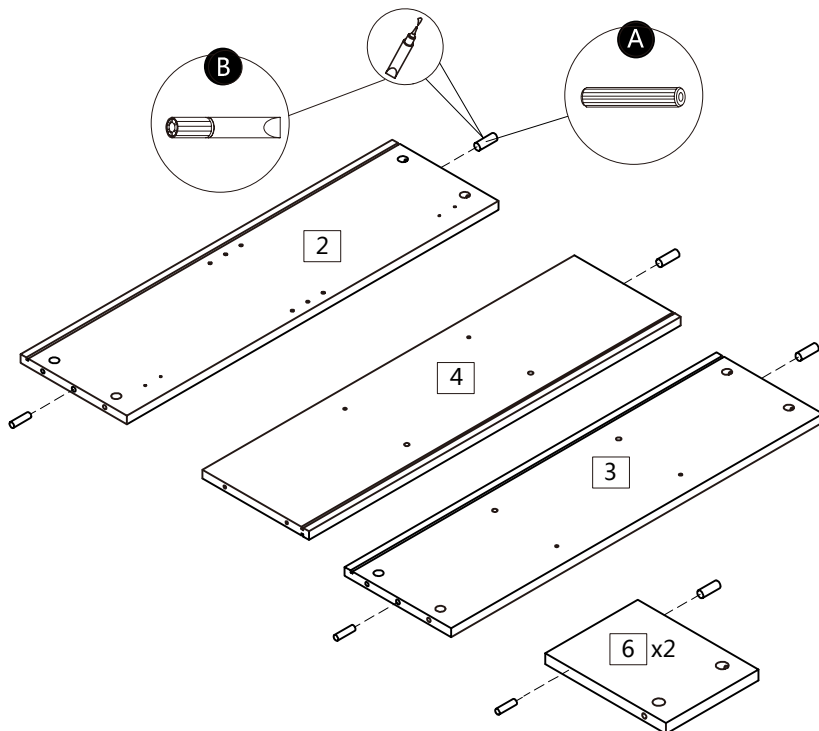
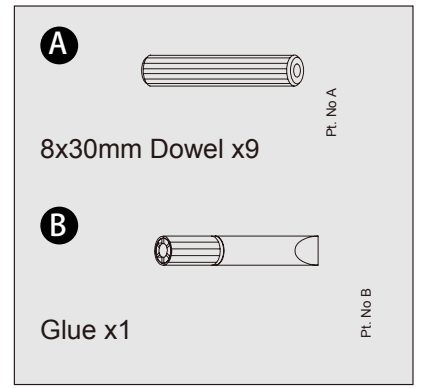
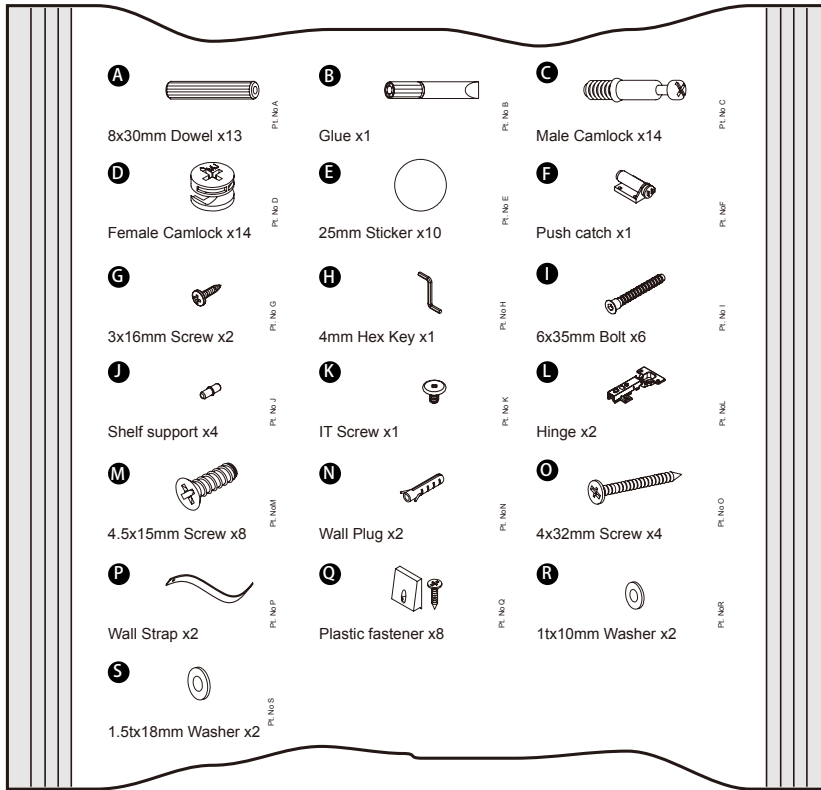


**10** Right Back Panel x1 (77.7cm x16.2cm)

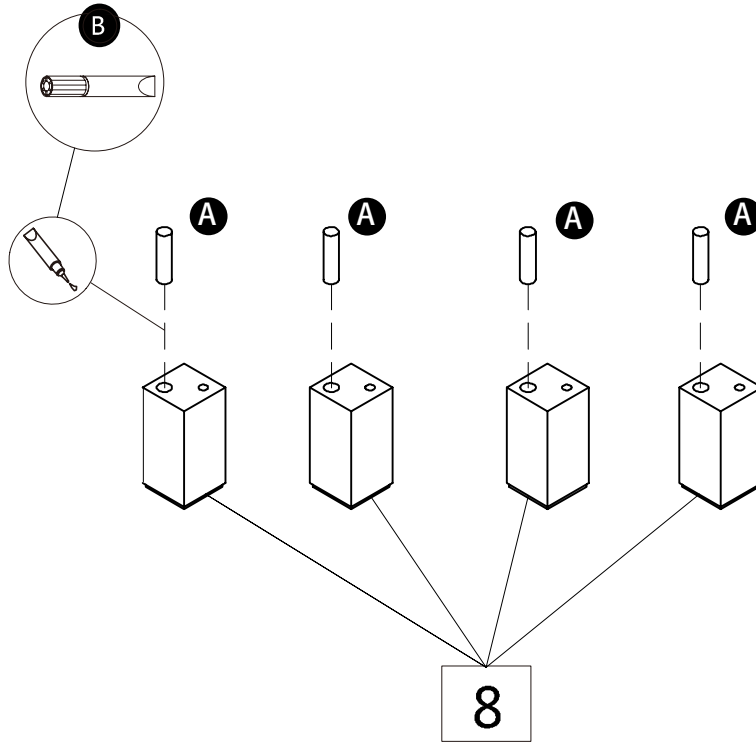
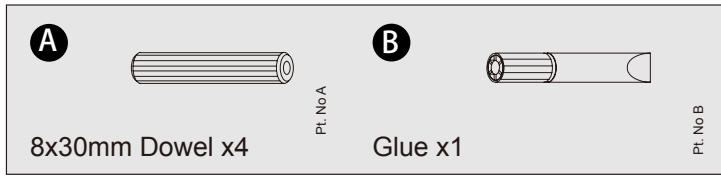


**11** Left Back Panel x1 (77.7cm x30.6cm)

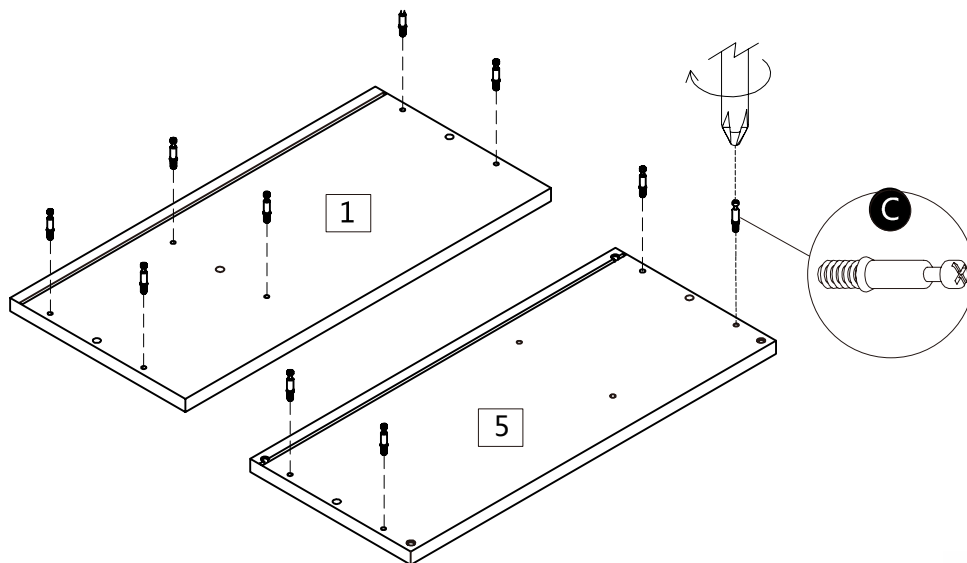
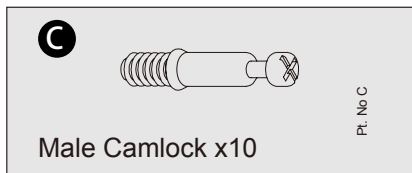
# 1



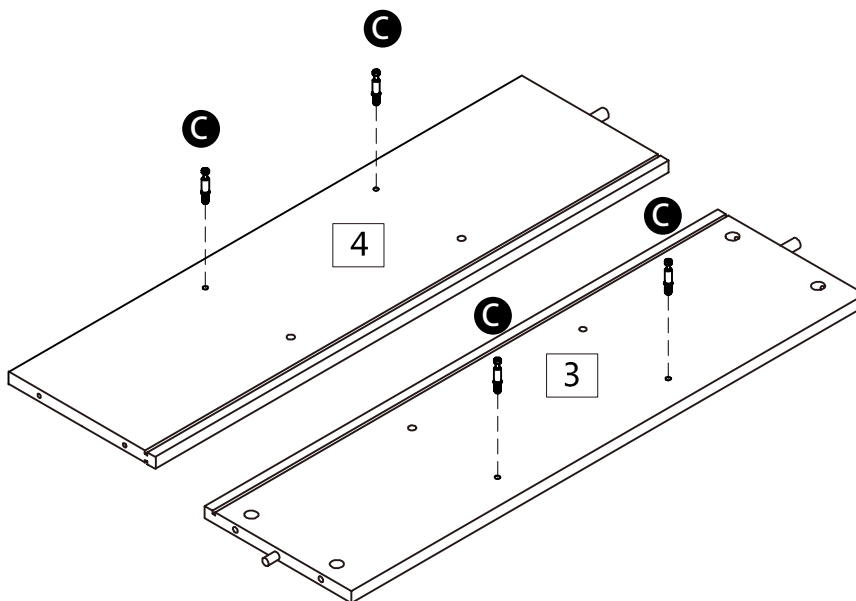
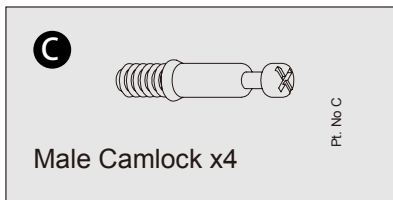
# 2



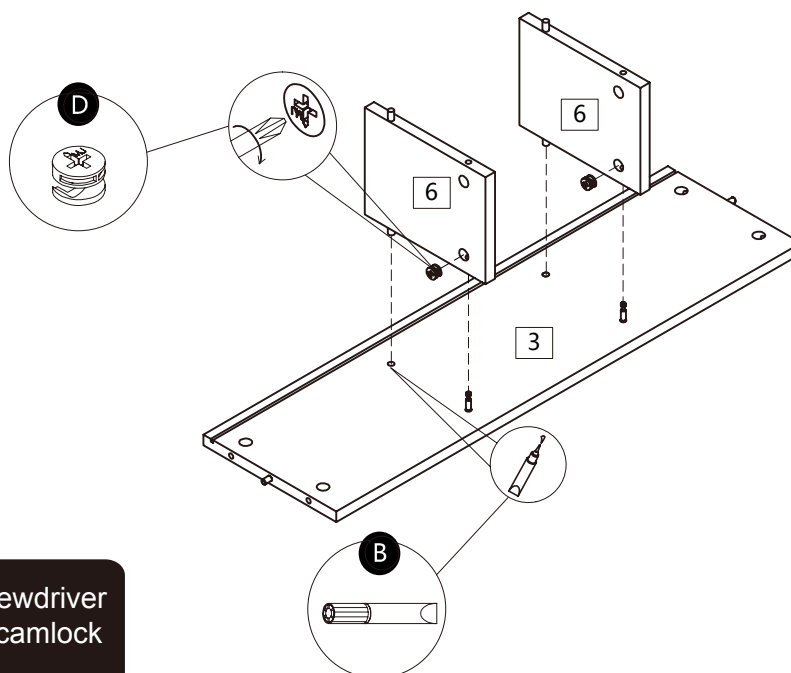
# 3



# 4



# 5

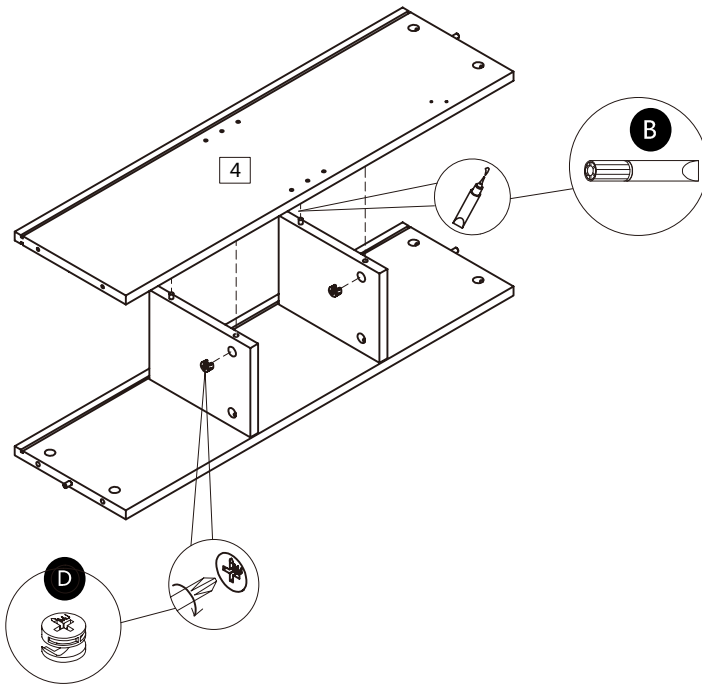


**Note:** Use a screwdriver to turn the female camlock clockwise to lock.

#welovehome

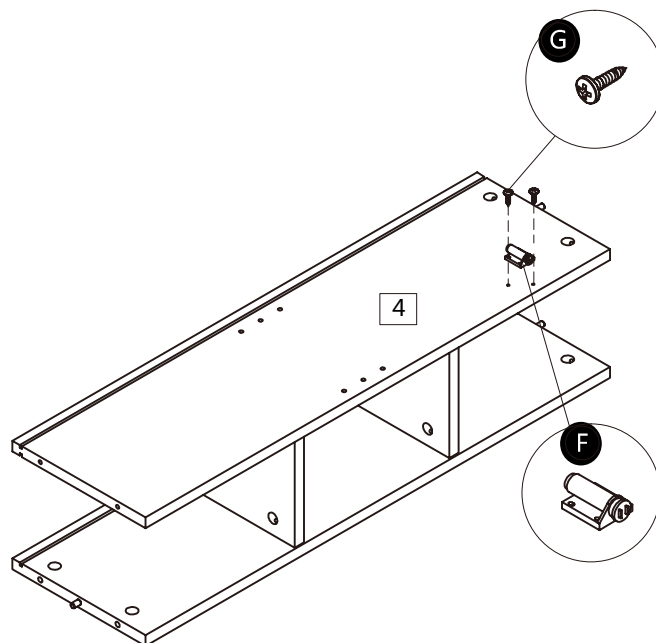
**lloyd** Est. 1919  
**pascal**  
we love home

# 6

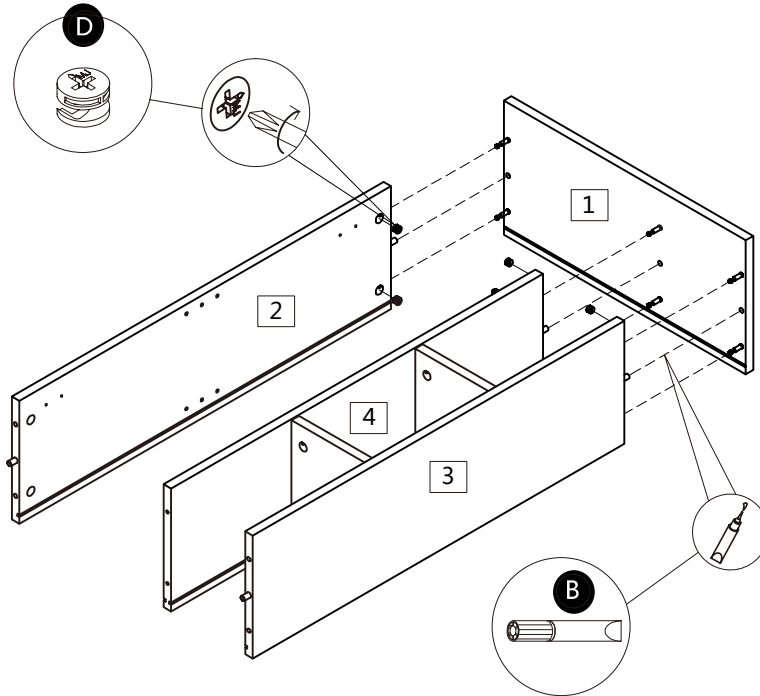
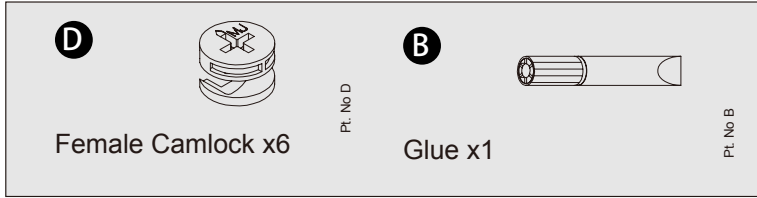


**Note:** Use a screwdriver to turn the female camlock clockwise to lock.

# 7

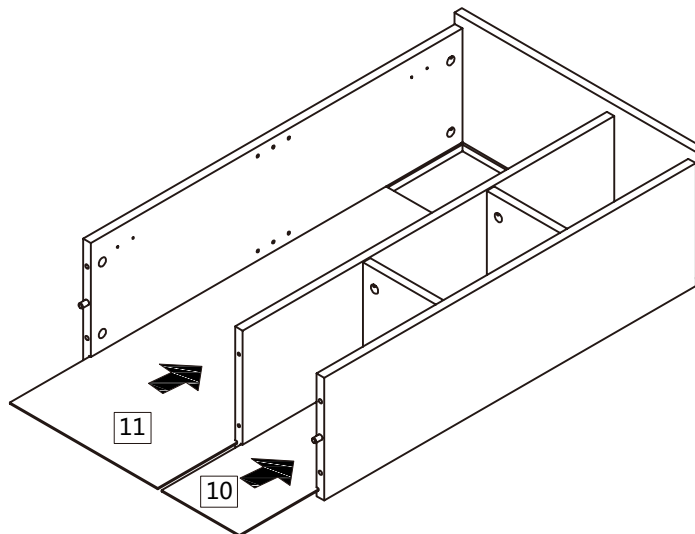


# 8





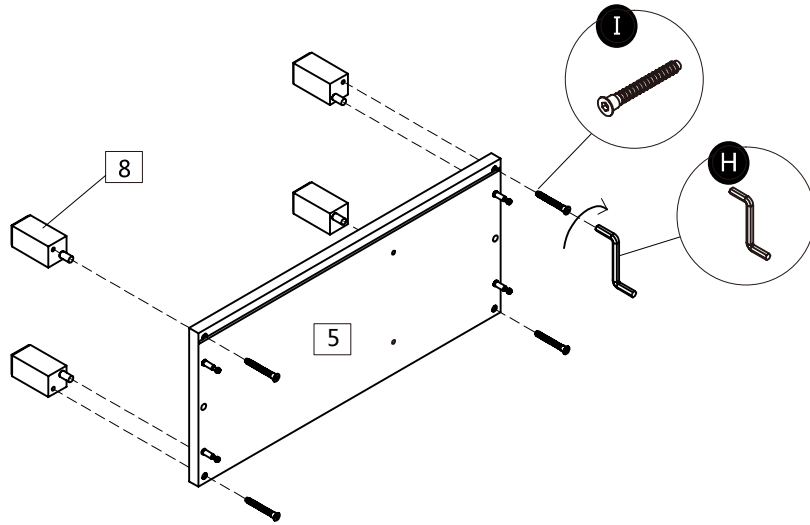
**Note:** Use a screwdriver to turn the female camlock clockwise to lock.

# 9






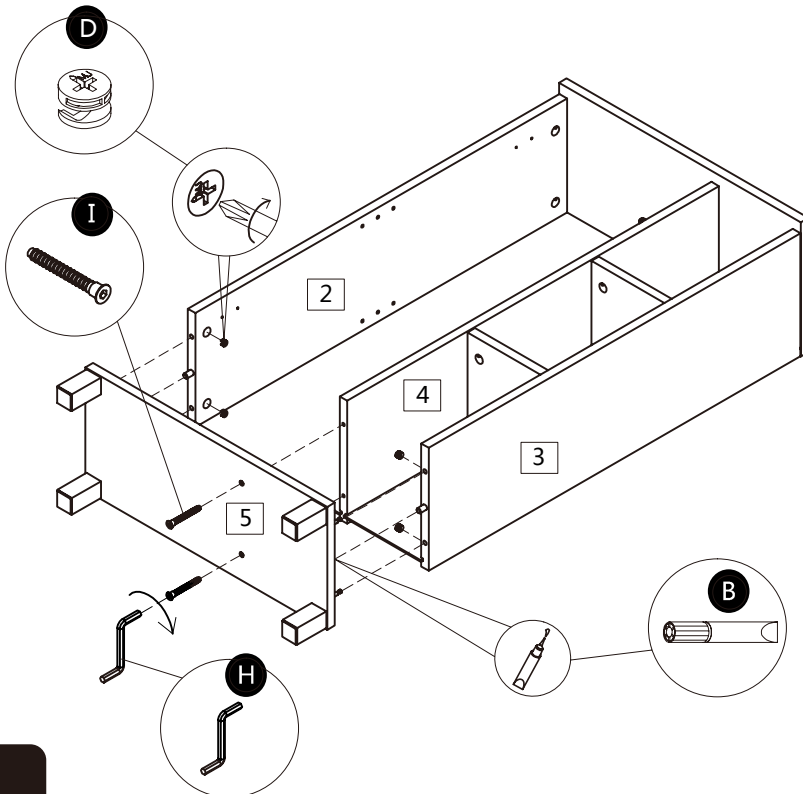
# 10

<b>H</b>		Pt. No H	<b>I</b>		Pt. No I
4mm Hex Key x1			6x35mm Bolt x4		

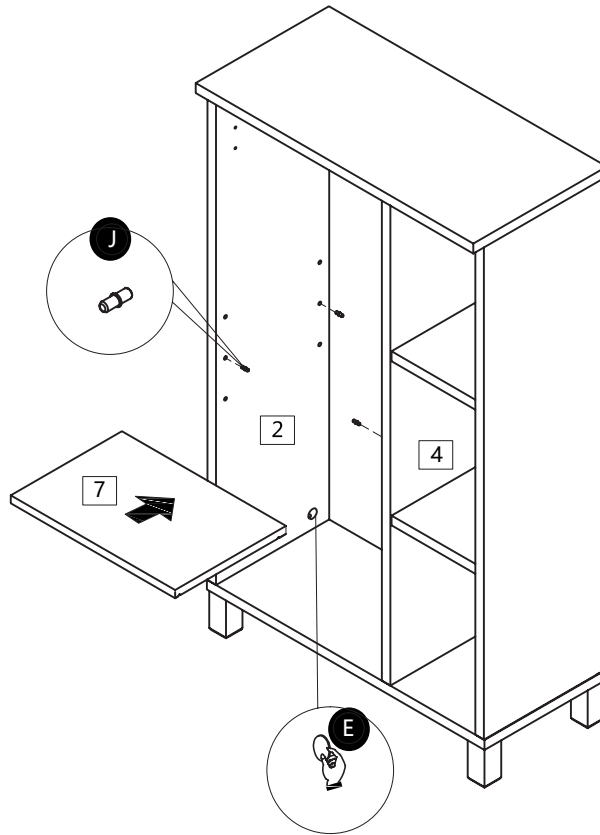
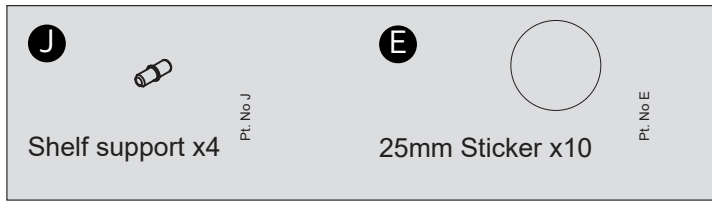


# 11

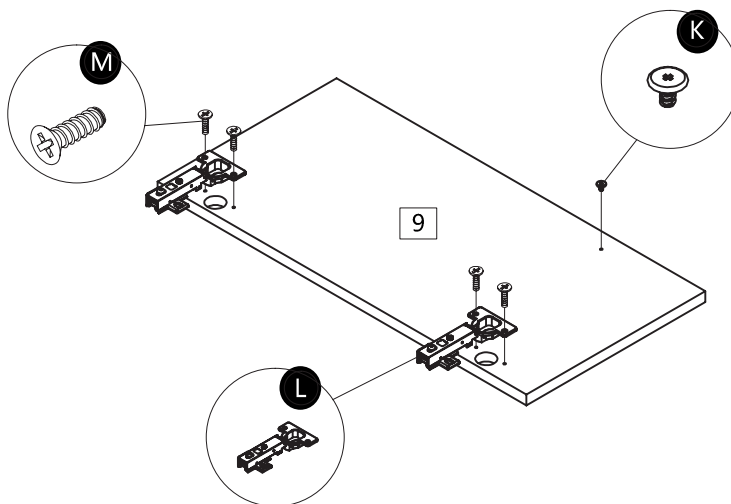
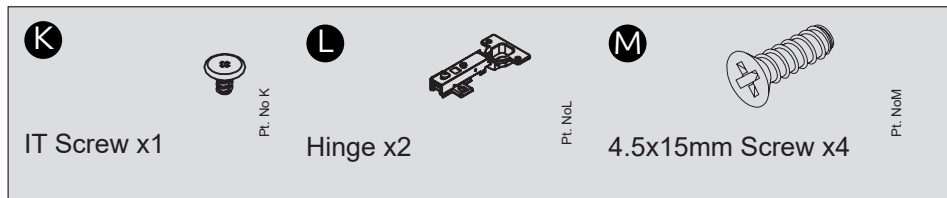
<b>H</b>		Pt. No H	<b>I</b>		Pt. No I	<b>B</b>		Pt. No B
4mm Hex Key x1			6x35mm Bolt x2		Glue x1			



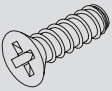
# 12

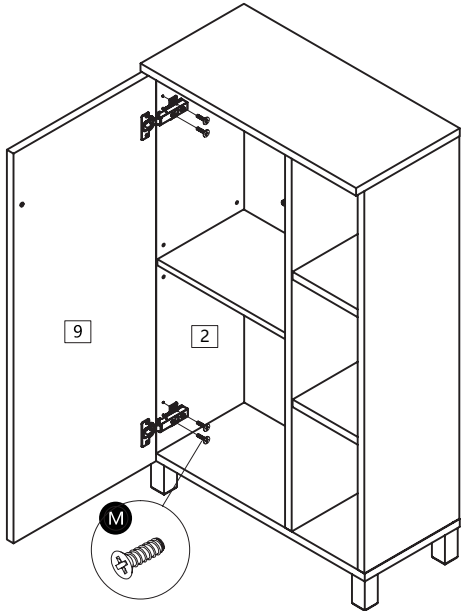


# 13




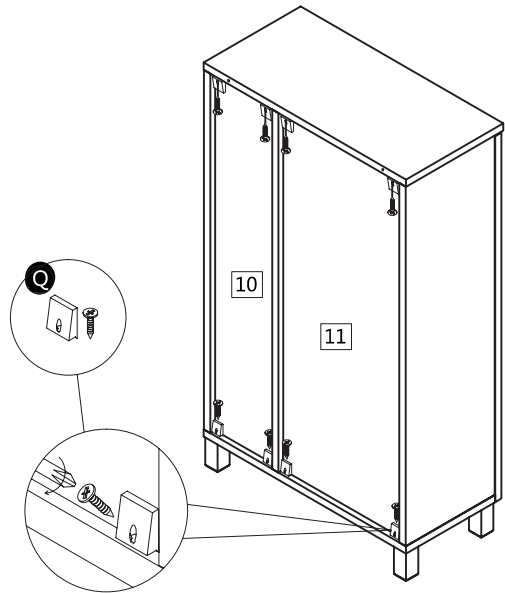
# 14

**M**  PL NoM  
4.5x15mm Screw x4





# 15


**Q**  PL No Q  
Plastic fastener x8

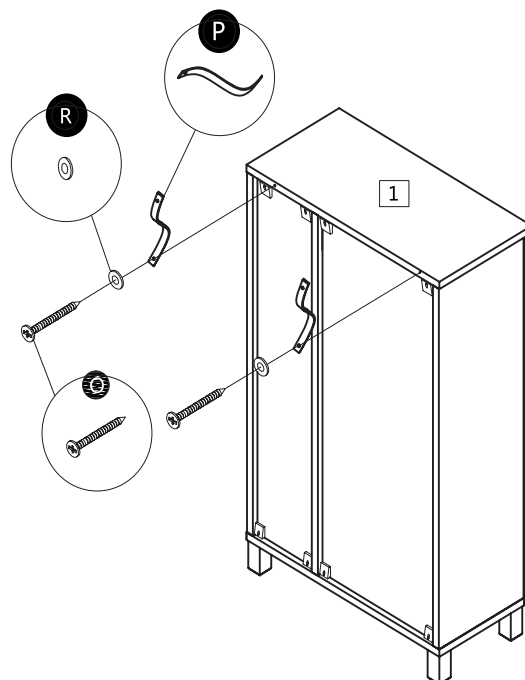


# 16

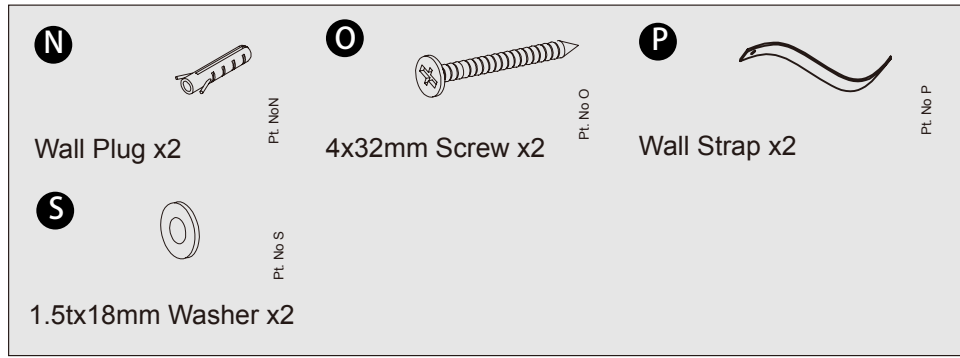
**P**  PL No P  
Wall Strap x2

**O**  PL No O  
4x32mm Screw x2

**R**  PL No R  
1x10mm Washer x2

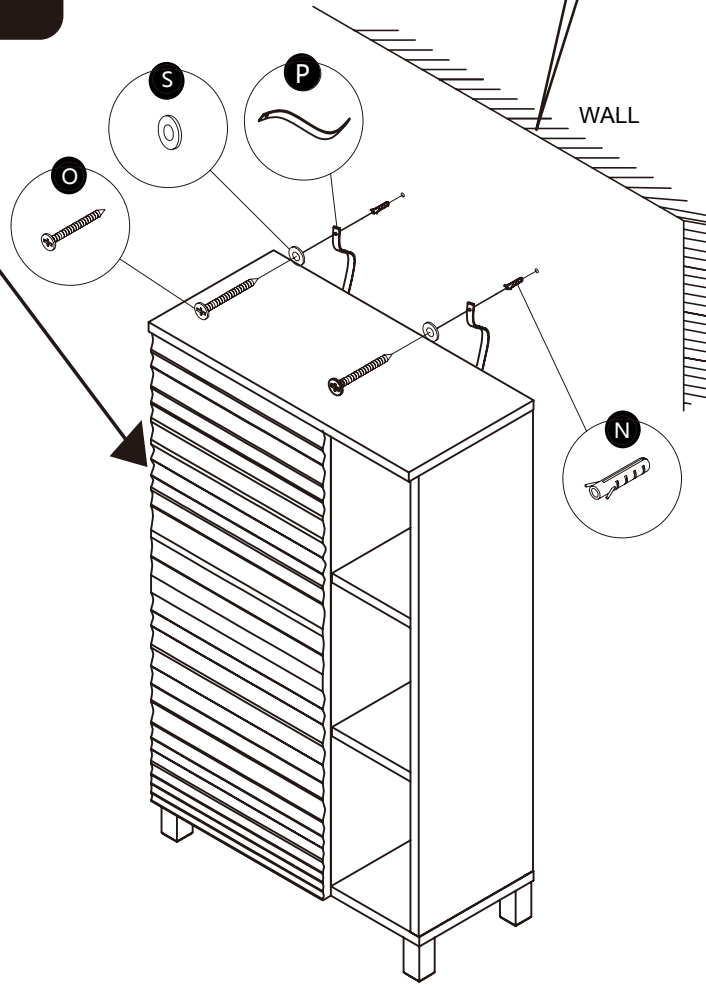


# 17



**WARNING!**  
IN ORDER TO PREVENT OVERTURNING  
THIS PRODUCT MUST BE USED WITH THE  
WALL ATTACHMENT DEVICE PROVIDED

TWO PEOPLE  
REQUIRED



**WARNING:**  
Before drilling, check  
wall for hidden pipes  
and cables.

**Note:** To hide the  
strap behind the unit,  
drill the hole lower than  
the top of the unit.

# A Guide to Wall Mounting & Fixings

## Important note:

If plastic wall plugs (rawl plugs) are supplied with your product, eg:



- these are suitable for use in masonry walls

If you are in any doubt about the correct wall plugs for your wall, seek professional advice.

Failure of the product due to using the incorrect fixings is the responsibility of the installer.



**Important: when drilling into walls always check that there are no hidden wires or pipes etc.**



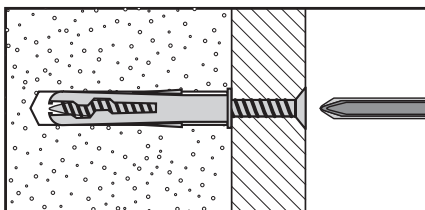
Hints:

1. General rule: always use a larger screw and wall plug if you are not sure.
2. Ensure you use the recommended drill bit to match the wall plug and hole size.
3. Ensure you drill the hole horizontally; do not force the drill or enlarge the hole.
4. Take extra care when drilling high walls, ceilings and ceramic tiles. Ensure wall plugs are inserted beyond the thickness of the ceramic tiles to avoid the tiles splitting or cracking.
5. Ensure wall plugs are well fitted and are a tight fit in the drilled hole.

## Types of walls

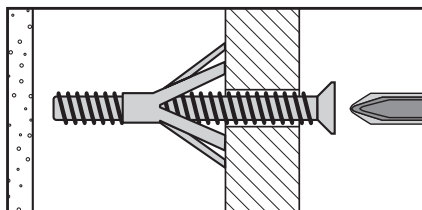
You can use one of the following types of wall plug if your walls are made of brick, breeze block, concrete, stone or wood.

No. 1 "General Purpose" wall plug



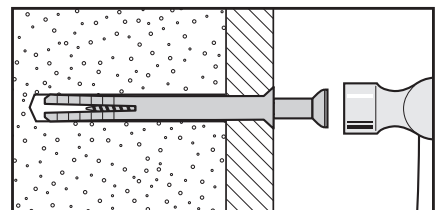
Generally aerated blocks should not be used to support heavy loads, use a specialist fitting in this case. For light loads, general purpose wall plugs can be used.

No. 3 "Cavity Fixing" wall plug



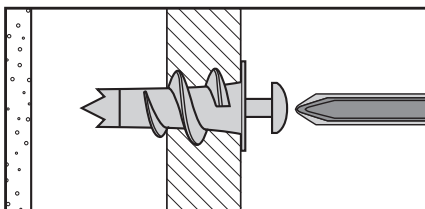
For use with plasterboard partitions or hollow wooden doors.

No. 5 "Hammer Fixing" wall plug



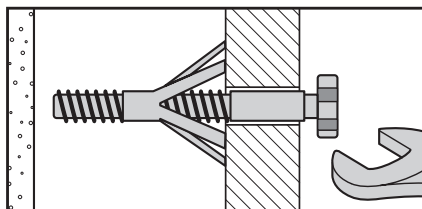
For use with walls stuck with plasterboard. The hammer fixing allows it to be fixed to the wall rather than the plasterboard. Always check the fixing is secure to the retaining wall.

No. 2 "Plasterboard" wall plug



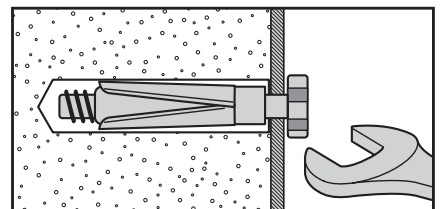
For use when attaching light loads onto plasterboard partitions.

No. 4 "Cavity Fixing - Heavy Duty" wall plug



For use when fitting or supporting heavy loads such as shelving, wall cabinets and coat racks.

No. 6 "Shield Anchor" wall plug - heavy loads



For use with heavier loads such as TV and HiFi speakers and satellite dishes etc.



## Care & Maintenance

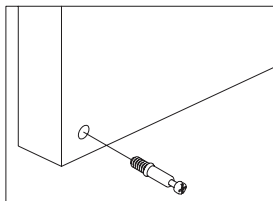
**Safety:** Always check the fitting and location to ensure your safety in and around the home.

**Fitting:** From time to time check the fitting to ensure the wall plugs or screws do not become loose.

# Using camlocks

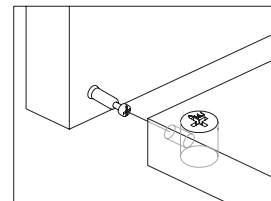
## Step 1

Connect the male camlock as directed in the assembly instructions using a screwdriver.



## Step 3

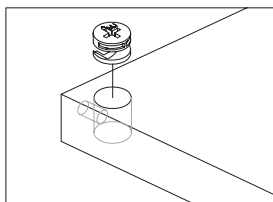
Push the male camlock into every hole.



## Step 2

Insert the female camlock as shown in the instructions.

Note: Ensure that the arrow on the top of the camlock points towards the entry hole for the male camlock.

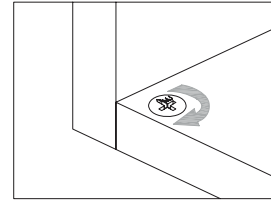


## Step 4

Turn the female camlock with a screwdriver.

You should feel a click when the camlock is locked in place.

The joint is now secure.



# Adjusting hinges

## Hinge adjustment

### STEP 1

To move the top panel up or down, loosen screws shown and move top panel to suit.

### STEP 2

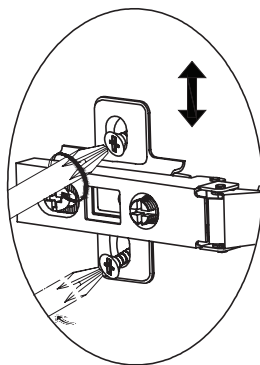
To move the top panel in or out, loosen screws shown and move top panel to suit.

Retighten screws

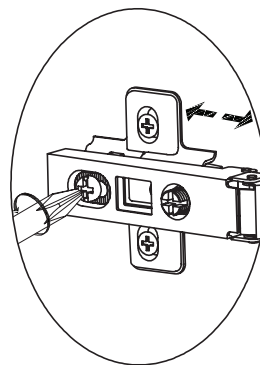
### STEP 3

To move the top panel left or right, adjust screws shown.

1.



2.



3.

