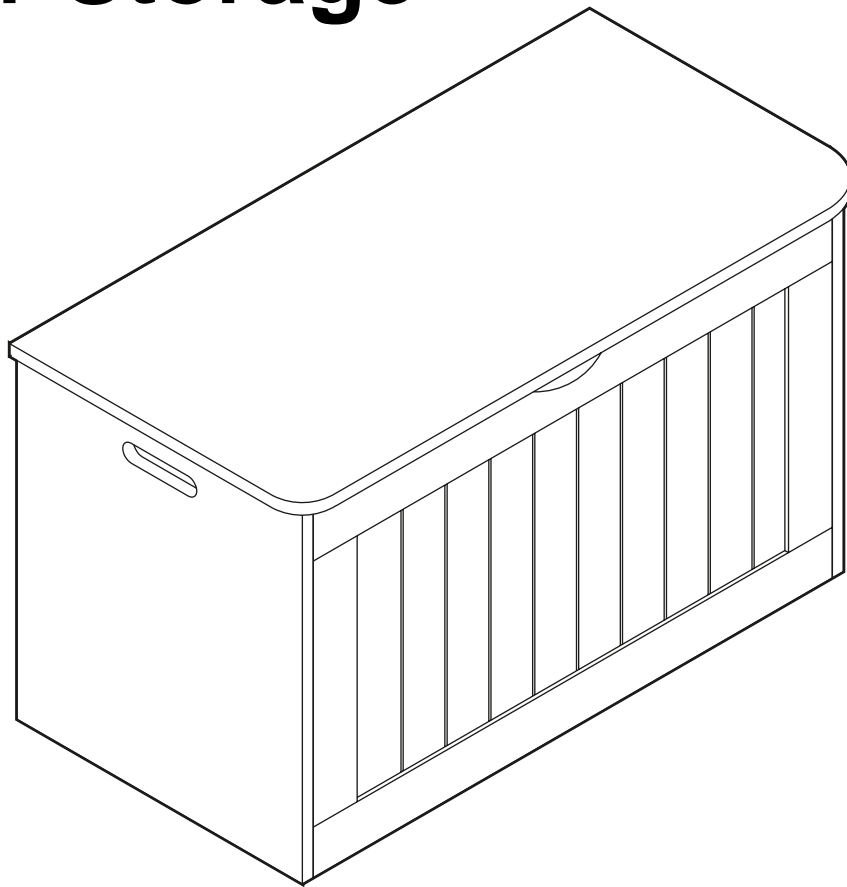


Hi there,

Meet your new  
Lloyd Pascal  
**Shaker Storage  
Box**

**lloyd** Est.  
1919  
**pascal**  
we love home



**Customer Helpline**

If you need help or have damaged or missing parts, call our customer helpline 0121 776 5720

Assembly instructions- Please keep for future reference

255.96.891M

255.94.891M

Issue 2 - 7/5/20

#welovehome

# lloyd pascal

Est.  
1919

we love home

## Welcome to the Lloyd Pascal family established in 1919

We would love to see your new product in its new home. **Share your experience** by taking a picture of your new LP product and **post it on social media tagging** #welovehome #Lloydpascal #LPfurniture #LPHome

**Connect with Us:** Using your mobile camera, scan the QR bar code below of your favourite social media channel and follow us!



### Are you loving/satisfied with your new purchase?

**Yes:** That's perfect. **It would make our day** if you could leave us a **review on our social media channels**. Your feedback will help us develop even better products to love.

**No:** If for any reason your enjoyment of our product is on Hold then **let the retailer** that you purchased your item from know **or contact us** and we will resolve your issue as quickly as possible.

# Safety and Care Advice

---

## IMPORTANT, RETAIN FOR FUTURE REFERENCE: READ CAREFULLY.

- Keep children and animals away from the work area, small parts could choke if swallowed.
- Make sure you have enough space to layout the parts before starting.
- This product has been constructed to be used in the domestic environment only and not for commercial purposes.

- Assemble the item as close to its final position (in the same room) as possible.
- Assemble on a soft level surface to avoid damaging the unit or your floor.



- We do not recommend the use of power drill/drivers for inserting screws as this could damage the unit. Only use

hand screwdrivers.

- Parts of the assembly will be easier with 2 people.
- Dispose of all packaging carefully and responsibly.

## Care and maintenance

---

- Only clean using a damp cloth and mild detergent. Do not use abrasive cleaners.

- From time to time check that there are no loose screws, nuts or bolts. If there are please re-tighten.

- This product should not be discarded with household waste. Take to your local authority waste disposal centre.

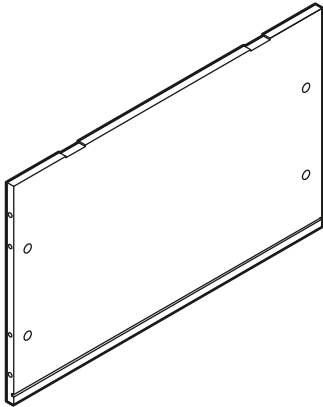
## Additional Guidance

---

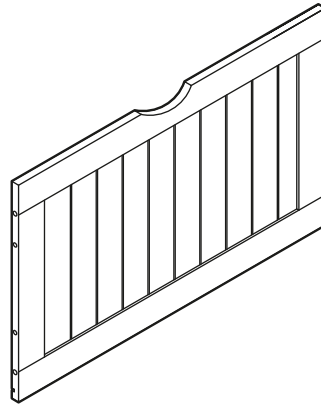
- Assemble all parts and bolts loosely during assembly, only once the product is complete should you fully tighten the bolts.
- Regularly check and ensure that all bolts and fittings are tightened properly.

# Components - Panels

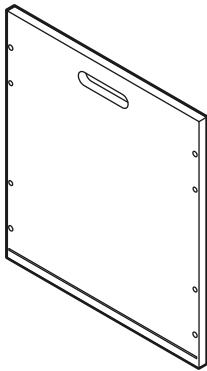
Please check you have all the panels listed below



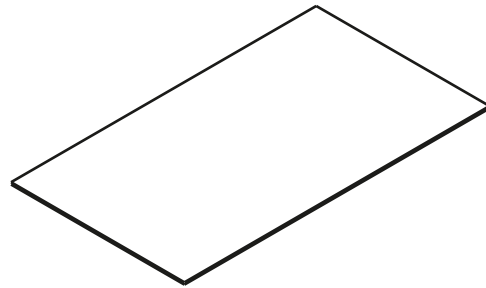
1 Back panel x 1  
(71(w)cm x 43.5 (h)cm)



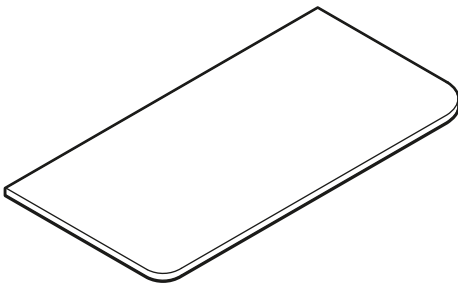
2 Front panel x 1  
(71)(w)cm x 43.5(h)cm)



3 Side panel x 2  
(43.5(h)cm x 39(d)cm)



4 Base panel x 1  
(72(w)cm x 36.6(d)cm)





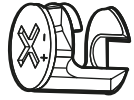

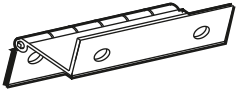
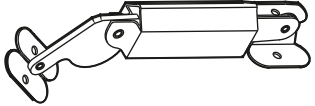
5 Lid x 1  
(76(w)cm x 40(h)cm)

# Components - Fittings

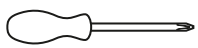
If you have damaged or missing components, call the Customer Helpline: 0121 776 5720

Please check you have all the fittings listed below

Note: The quantities below are the correct amount to complete the assembly. In some cases more fittings may be supplied than are required.

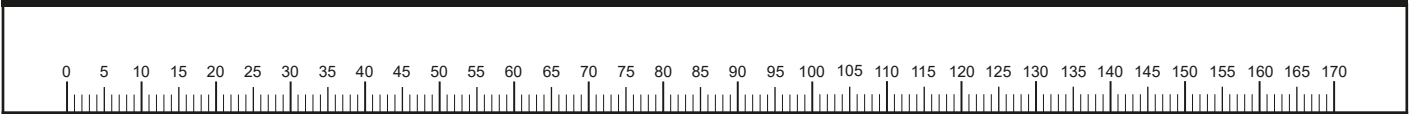
<b>A</b>  Wooden dowel x 8	<b>B</b>  Male camlock x 8	<b>C</b>  Female camlock x 8
<b>D</b>  10mm Screw x 16	<b>E</b>  Hinge x 2	<b>F</b>  Friction stay x 2

## Tools required



Phillips screwdriver  
(medium & large)

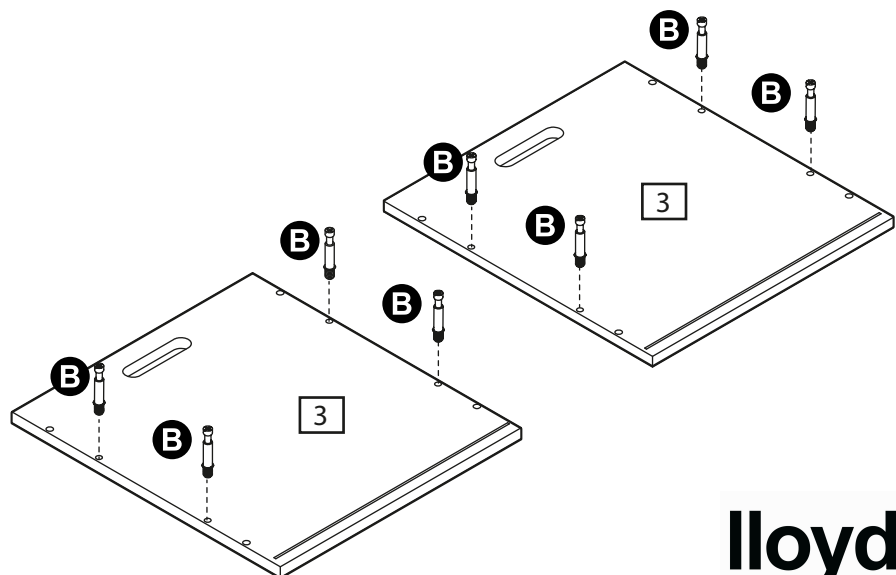
Ruler - Use this ruler to help correctly identify the screws



## Assembly Instructions

### Step 1

Taking 2 X side panel **3** insert 8 x Male camlocks **B** using Phillips screwdriver as shown.



**lloyd pascal** Est. 1919  
we love home

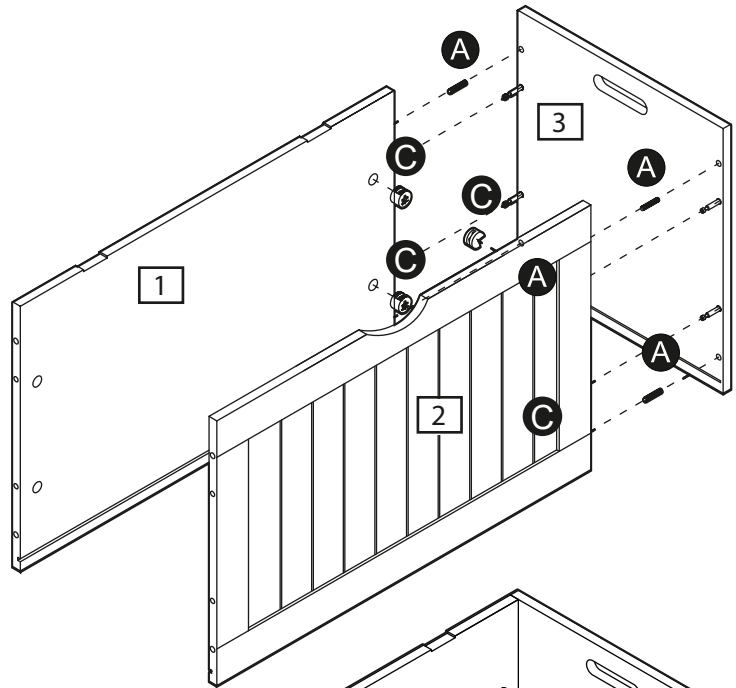
#welovehome

# Assembly Instructions

## Step 2

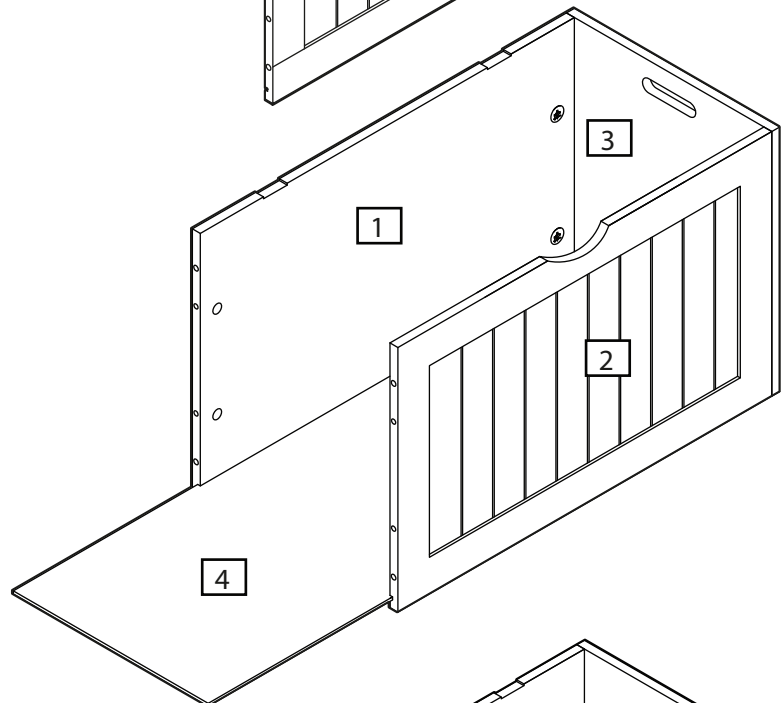
Using 4 x wooden dowels **A** attach side panel **3** to back panel **1** and front panel **2**. Push the heads of male camlocks (which have already been screwed into side panel **3**) into pre existing holes. loosely screw together using 4 x female camlocks **C** with a Phillips screwdriver.

*Note:* ensure that the horizontal grooves in the panels are all at the bottom.



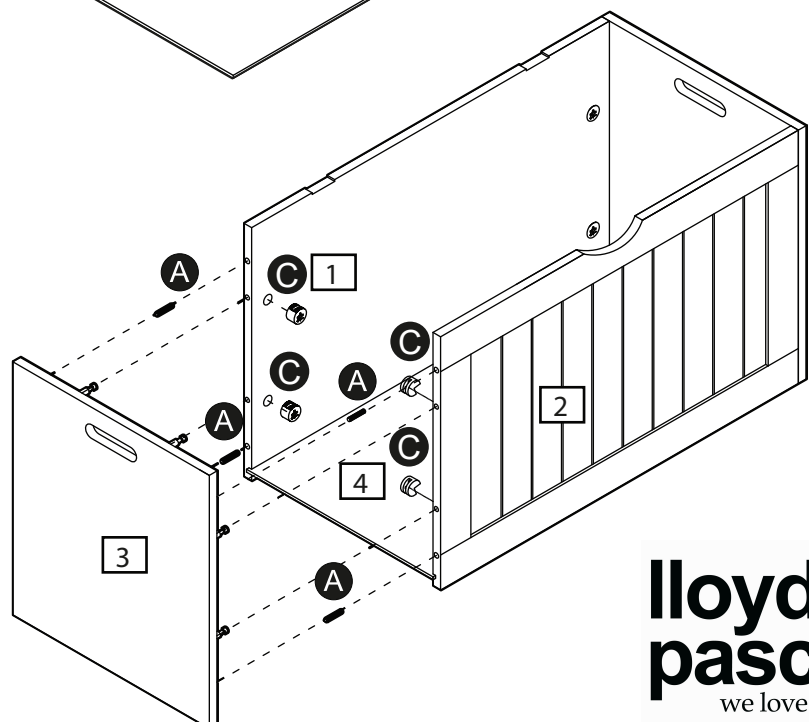
## Step 3

Slide base panel **4** into place using grooves along back panel **1** and front panel **2**.



## Step 4

Repeat as per step 2. Using Phillips screwdriver turn all female camlocks **C** clockwise until tight.



**lloyd pascal** Est. 1919  
we love home

# Assembly Instructions

## Step 5

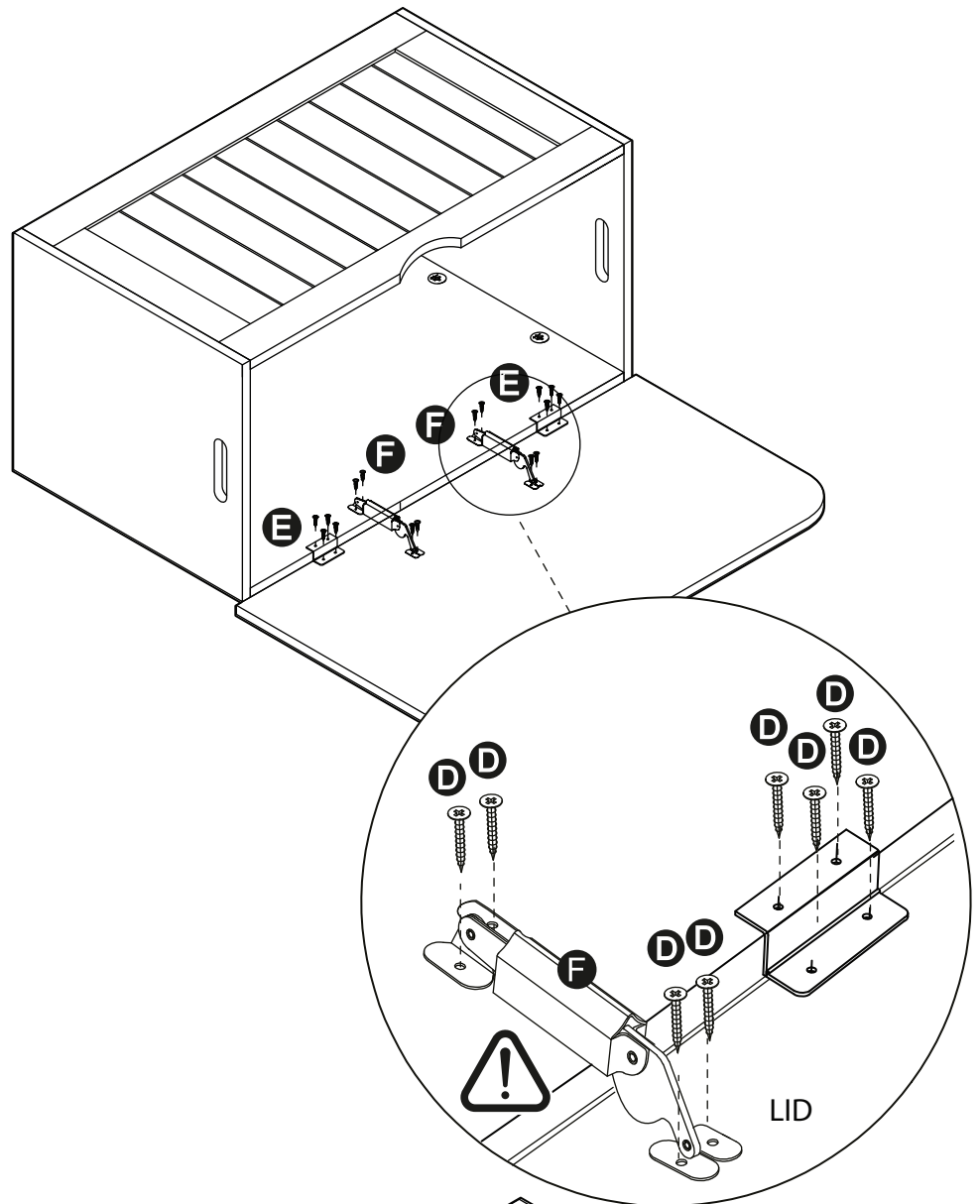
You may find it easiest to lay the unit on its back to accomplish this.

Connect the lid **5** using 2 x hinge **E** and 8 x screw **D** to fix the hinges into place. Connect the friction stays **F** to the under side of the lid and the inside of the box using 8 x screw **D** as shown.



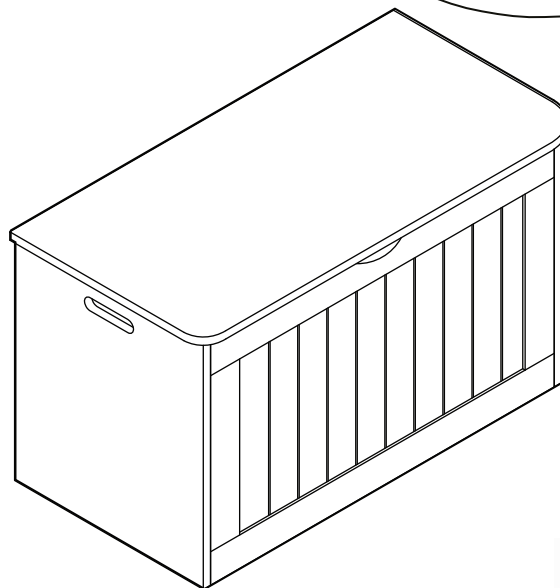
**Very Important:**  
The friction stays must be attached the correct way up.

Please pay attention to diagram. Failure to do so may result in damaging the unit



## Step 6

Turn upright.  
Assembly complete



**lloyd** Est. 1919  
**pascal**  
we love home