

# CMG520



**Thank for choosing this furniture.**

**BEFORE YOU START ASSEMBLY** please store the carton at room temperature for 48 hours or more so the contents can acclimatise.

**PLEASE RETAIN ALL PACKING UNTIL YOU HAVE COMPLETED ASSEMBLY.**

## Information about your furniture.

This furniture has been carefully crafted from manufactured wood board. Due to the unique characteristics of natural materials the base colour of the boards can vary which may slightly affect the shade of the finished product.

## Caring for your furniture.

Extreme temperature can cause slight movements in the manufactured wood boards. So please avoid placing your furniture close to radiators or other direct sources of heat. Humidity should also be avoided. Please avoid exposing your furniture to continued bright sunlight as it can affect the colour. Any fluid spills should be removed as quickly as possible. Always lift your furniture when moving as dragging any cause damage to your furniture or flooring.

## After Care.

Wipe the surfaces with a dry cloth and an occasional use of a normal household furniture polish. We also recommend you use household spray polish occasionally on the drawer grooves and runners as this will aid use. Please do not use detergents or chemicals on your furniture.

## PARTS LIST

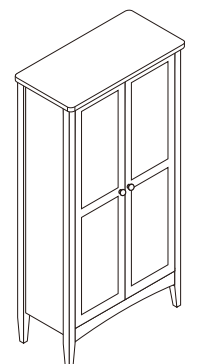
	1  1pc	2  1pc	3  1pc	4  1pc	5  1pc
	6  1pc	7  1pc	8  1pc	9  1pc	10  1pc
	11  1pc	12  2pcs	13  1pc	14  1pc	15  1pc
	16  1pc	17  1pc			
A  6x35mm 42pcs	B  10x15mm 42pcs	C  8x30mm 30pcs	D  4x14mm 36pcs	E  2.5x12mm 40pcs	F  6pcs
G  4x18mm 2pcs	H  2pcs	I  2pcs	J  1pc	K  2.5x14mm 2pcs	L  2pcs
M  4x25mm 4pcs	N  3x12mm 4pcs	O  4pcs	P  4x35mm 2pcs	Q  2pcs	

## BEFORE YOU START ASSEMBLY

Please check that you have all the correct parts and fittings as detailed in the Parts List above.

In the unlikely event that you require to order spare parts please refer to your delivery note for details of how to order on our Parts Website.

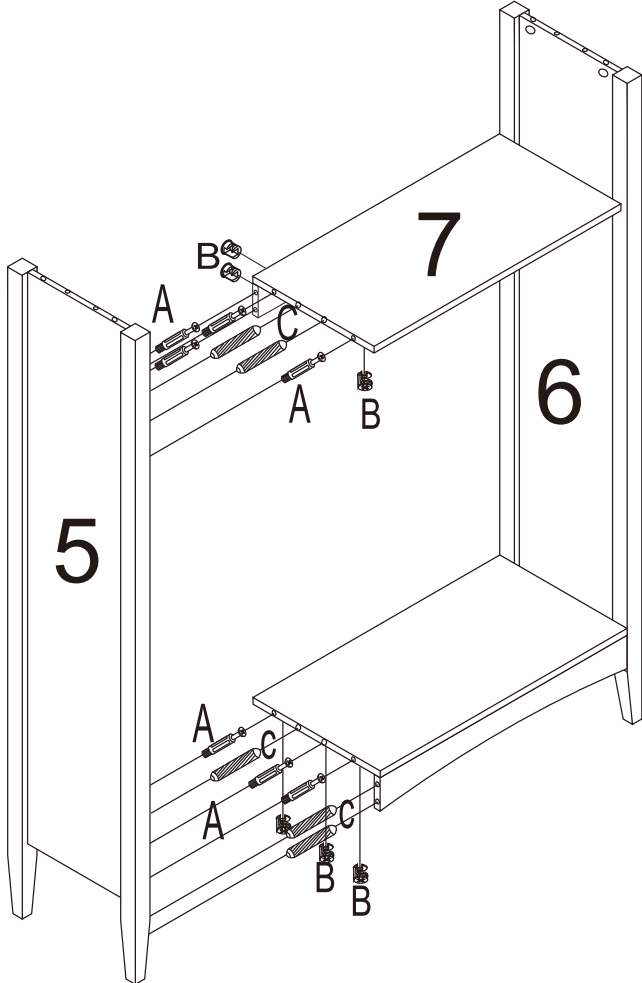
BATCH NUMBER



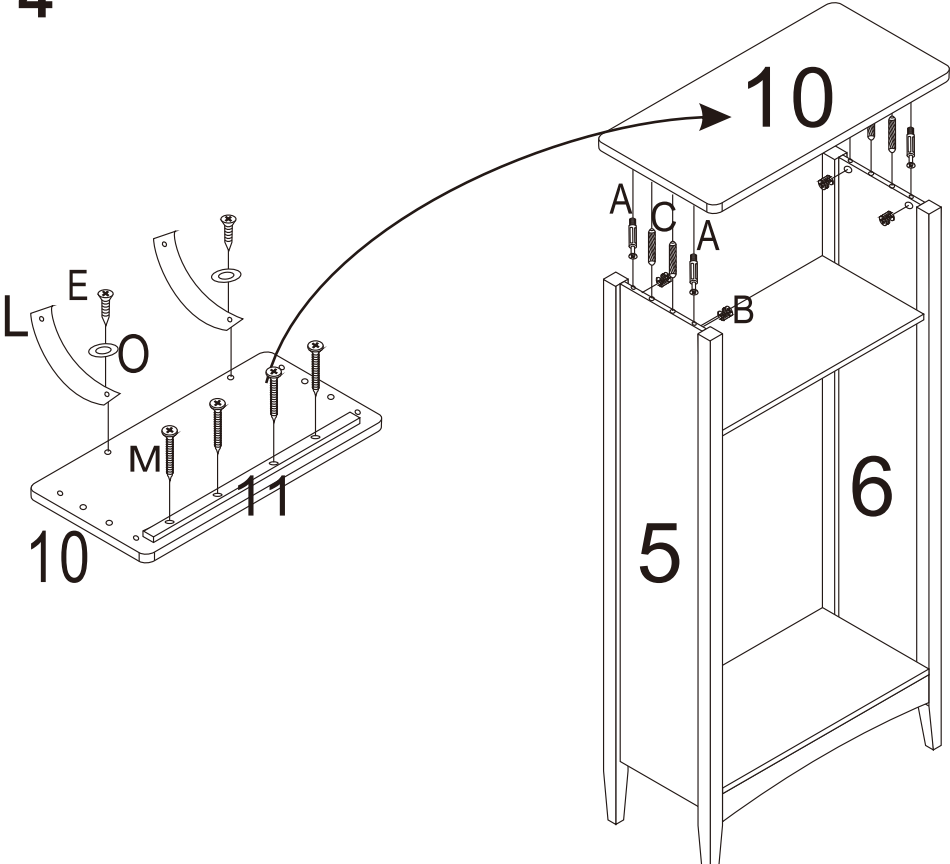
**PLEASE RETAIN THIS INSTRUCTION LEAFLET FOR FUTURE REFERENCE.**



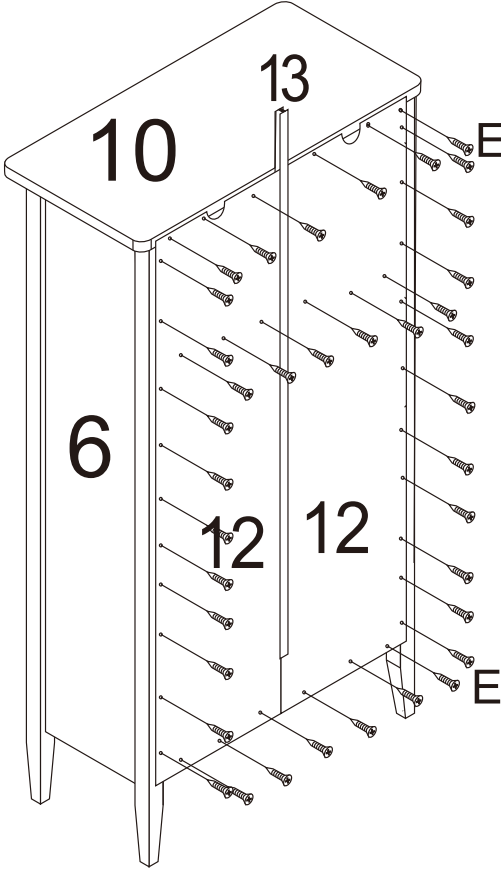
# Step 3



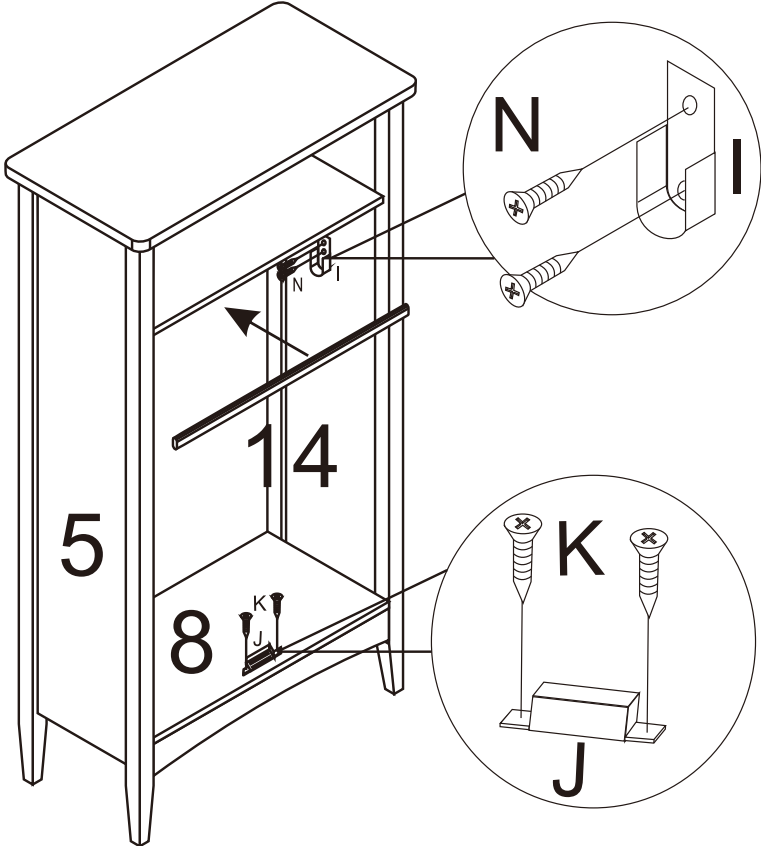
# Step 4



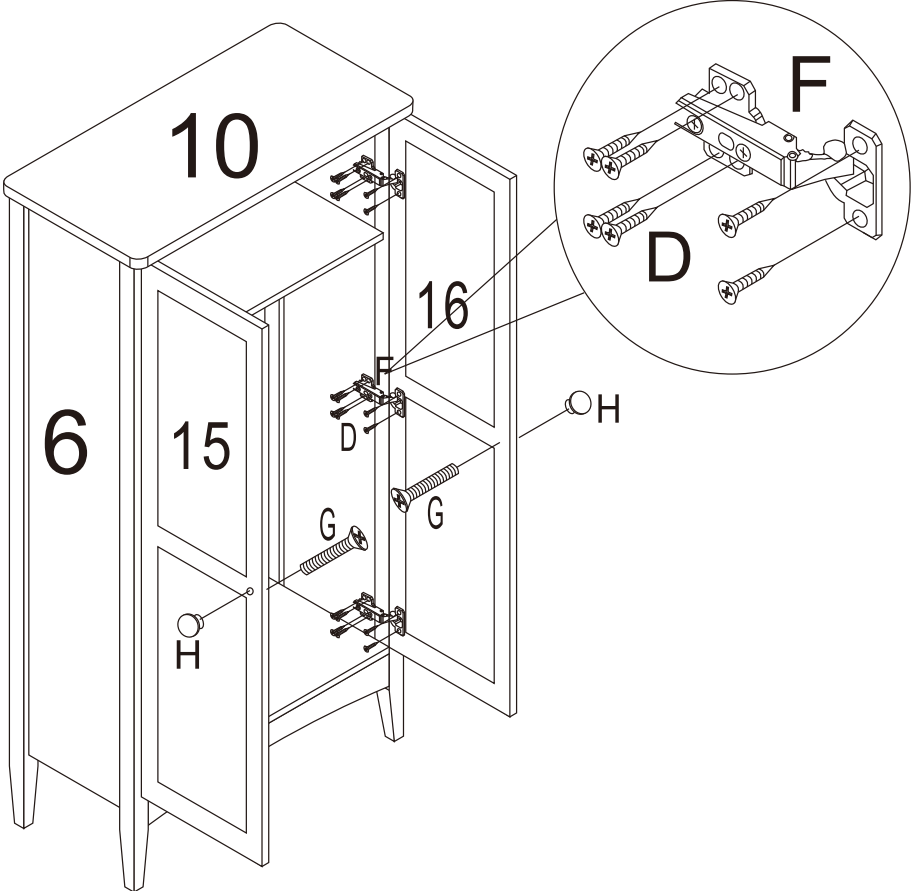
# Step 5



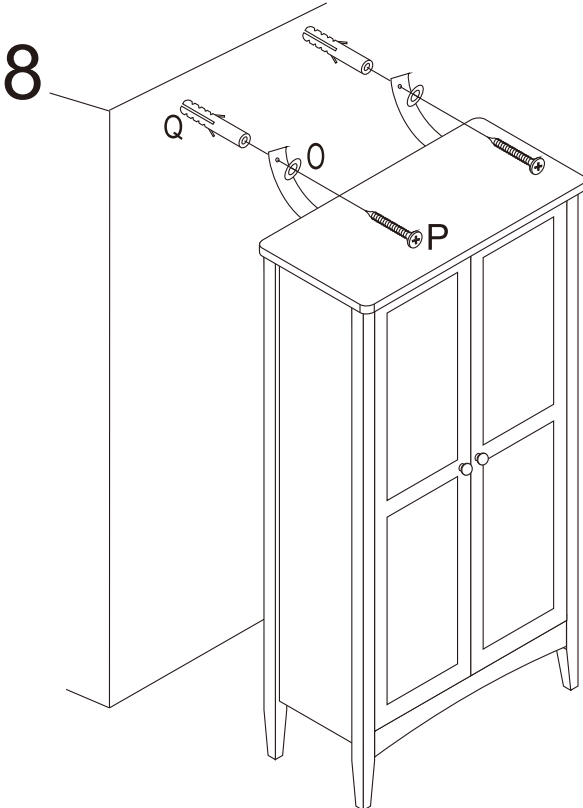
# Step 6



# Step 7



# Step 8



## **IMPORTANT NOTICE**

Please avoid opening all drawers or doors simultaneously as this could cause your furniture to fall forwards. Where there is a risk of this occurring, especially in environments with children or uneven floors we recommend that this item of furniture is attached to your wall using appropriate fixings (supplied).

**WARNING: CHECK FOR HIDDEN PIPES AND CABLES BEFORE DRILLING.**

**IMPORTANT: IF YOUR WALLS ARE NOT SOLID LIKE BRICK OR STONE, YOU WILL REQUIRE SPECIALIST FITTINGS (NOT SUPPLIED).**

- Place fixing strip against the wall and mark position for drilling hole.
- Drill hole in your wall to a depth of 30mm using a 6mm drill bit. If the surface of your wall is soft and crumbly, we would advise you to use a 5mm drill bit for a tighter fit.
- Insert plug into hole with end flush to the wall surface.
- Attach fixing strip to the wall using the 25mm screw + washer and securely tighten.
- Pre-drill small pilot hole on the back edge of the furniture top using a 2mm drill bit. Attach the other end of fixing strip to the back edge of the furniture top using the 14mm screw + washer and securely tighten.