

IMPORTANT BEFORE YOU START

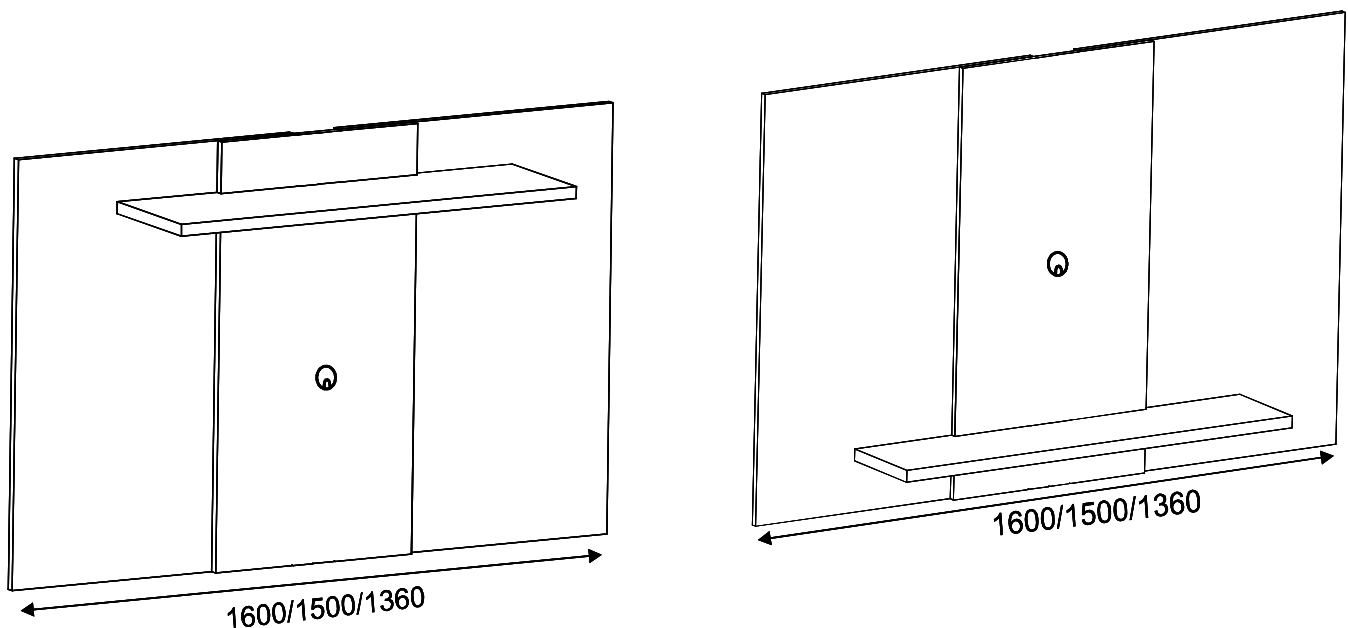
This is a decorative unit only.

You will also require a mounting bracket suitable for your specific television (not included).

Wall fittings are NOT INCLUDED as they will vary dependent on the location.

Fittings to suit your requirements can be obtained from most DIY or hardware stores.

Installation must be carried out by a competent installer, we cannot accept responsibility for any issues relating to assembly or installation, this does not affect your statutory rights.



LD721W / LD721G / LD721GOK



Thank you for choosing this furniture.

BEFORE YOU START ASSEMBLY please store the carton at room temperature for 48 hours or more so the contents can acclimatise.

PLEASE RETAIN ALL PACKING UNTIL YOU HAVE COMPLETED ASSEMBLY.

Information about your furniture.

This furniture has been manufactured from surface coated wood based manufactured boards.

Caring for your furniture.

Extreme temperature can cause slight movements in the board material so please avoid placing your furniture close to radiators or other sources of heat.

Please avoid exposing your furniture to continued bright sunlight as this can affect the colour, any fluid spills should be removed as quickly as possible

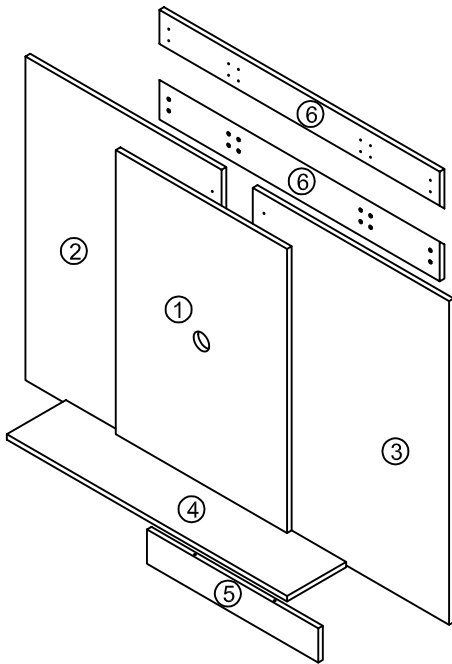
Always lift your furniture when moving as dragging may cause damage to your furniture or flooring.

Use mats or coasters to help protect against heat.

Do not stand on your furniture .

Aftercare.

Wipe all surfaces with a dry cloth and the occasional use of a normal household furniture Polish, do not use detergents or chemicals on your furniture. After assembly remove any visible component identification stickers, these should remove easily however any remaining adhesive residue can be removed with a label adhesive removal liquid available from most DIY or hardware stores. For models with drawers we also recommend you use a household spray polish or curtain track spray on the drawer runner tracks. Please do not use any wax based products, chemicals or detergents on this furniture. Regularly check all fixings to ensure they are tight.



Nº	PIECE	QT.	UNDERSTANDING THE CODES MARKED ON THE PARTS:
1	UPPER CENTER PANEL	1	
2	LEFT SIDE PANEL	1	
3	RIGHT SIDE PANEL	1	
4	SHELF	1	
5	LOWER CENTRE PANEL	1	
6	WALL BRACKET	2	

A *6+4 5*25 mm	B *34 3,5*20 mm	C *1 5*40 mm	D *4 6*60 mm	E *1 50mm	F *2
G *1 GLUE					

BEFORE YOU START ASSEMBLY

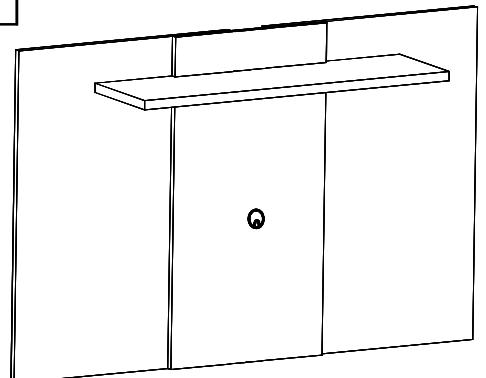
please check that you have all the correct parts and fittings as detailed on these instructions.

FOR DAMAGED, MISSING OR REPLACEMENT PARTS

Please visit www.coreproducts.co.uk/parts

2022 specification
Batch number 7275

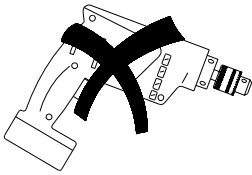
PLEASE RETAIN THIS INSTRUCTION LEAFLET, ALONG WITH YOUR DELIVERY NOTE/RECEIPT FOR FUTURE REFERENCE.



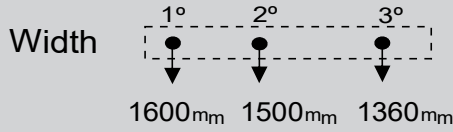
LD721W / LD721G / LD721GOK

1°

- A*2
5*25 mm
- B*5
3.5*20 mm
- G*1
GLUE

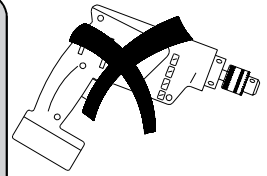


ASSEMBLY ATTENTION: Check the width option (1360, 1500 or 1600) before starting the panel assembly. The three markings highlighted below in part 1 define the width of the panel to be mounted, follow the diagram:



2°

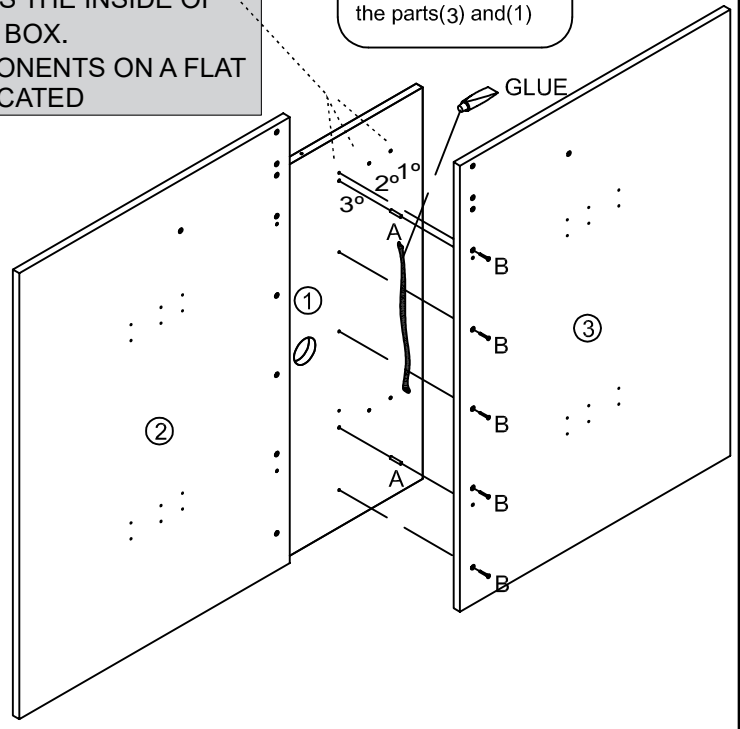
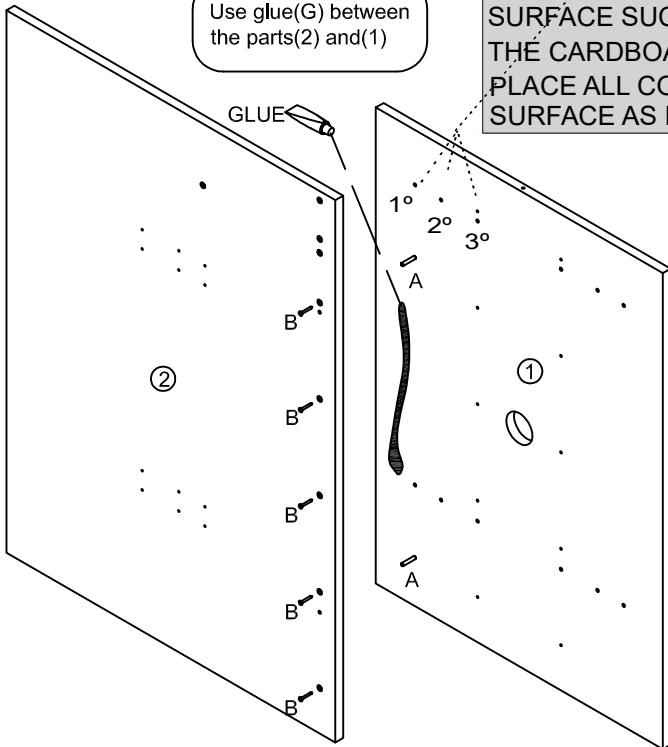
- A*2
5*25 mm
- B*5
3.5*20 mm
- G*1
GLUE



TO AVOID DAMAGE TO YOUR FURNITURE DURING ASSEMBLY PLEASE BUILD ON A SOFT CLEAN SURFACE SUCH AS THE INSIDE OF THE CARDBOARD BOX. PLACE ALL COMPONENTS ON A FLAT SURFACE AS INDICATED

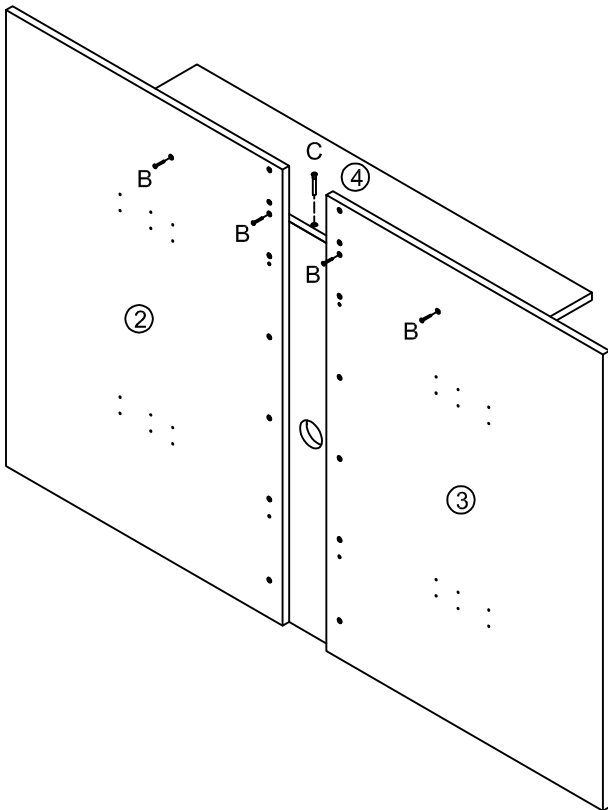
Use glue(G) between the parts(2) and(1)

Use glue(G) between the parts(3) and(1)



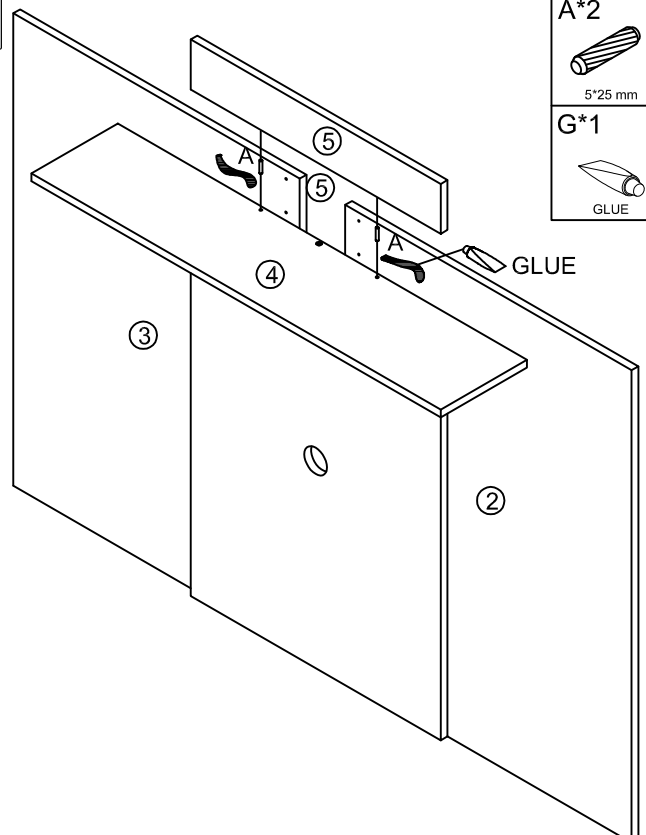
3°

- B*4
3.5*20 mm
- C*1
5*40 mm



4°

- A*2
5*25 mm
- G*1
GLUE



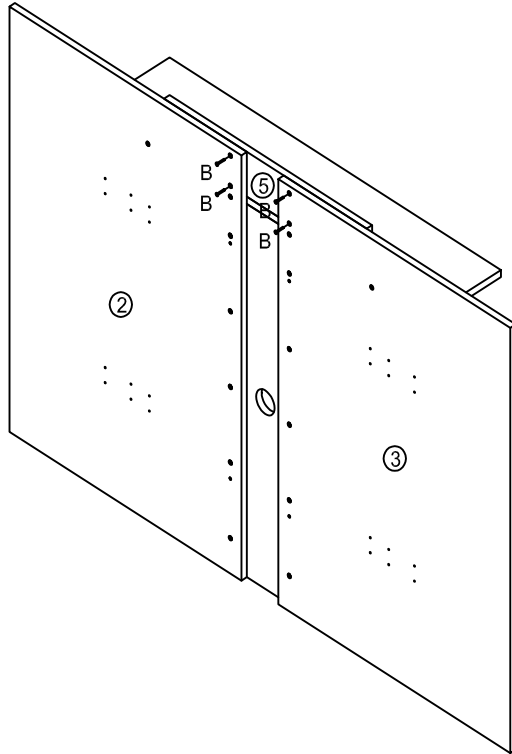
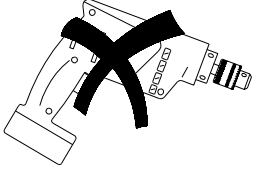
LD721W / LD721G / LD721GOK

5°

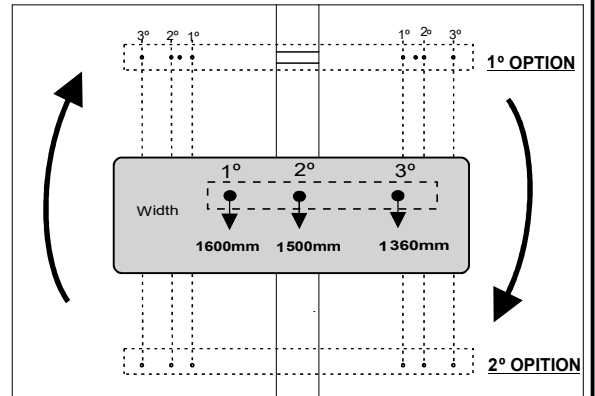
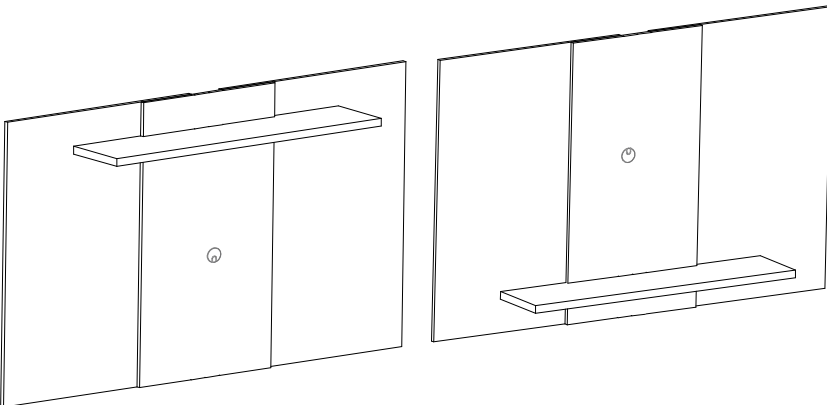
B*4



3.5*20 mm



NOTE: Before finishing the assembly, choose if you want the shelf (4) at the top or at the base of the panel

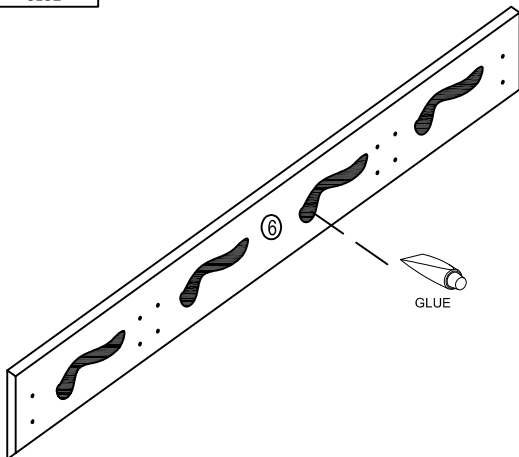


6°

G*1



GLUE



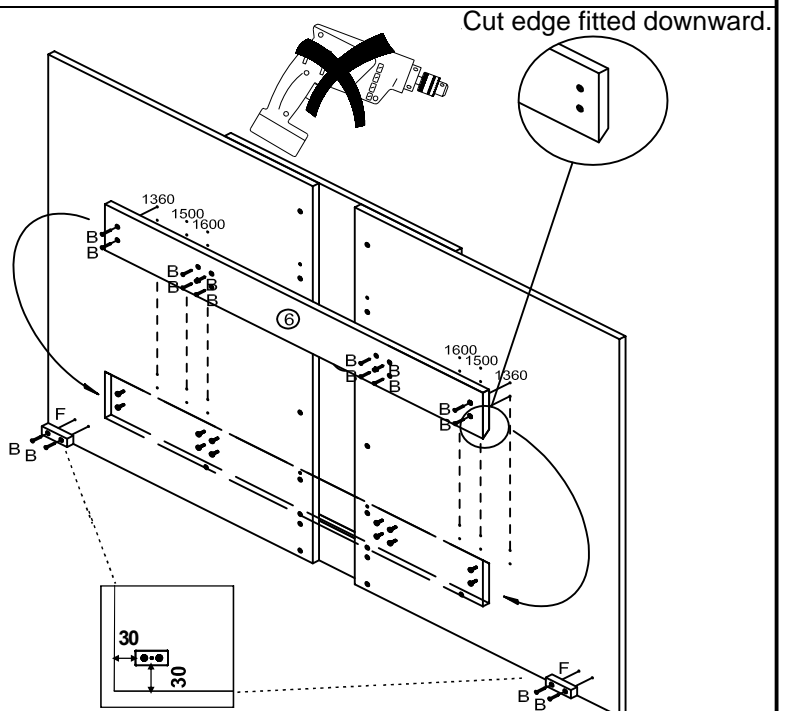
7°

B*16



3.5*20 mm

F*2

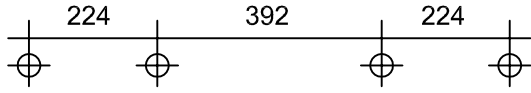


8°

Wall

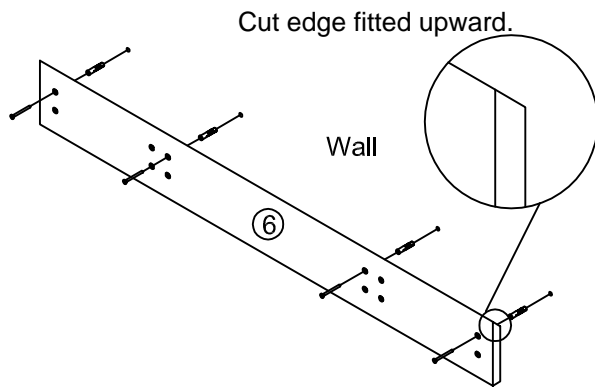
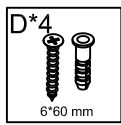
ENSURE DRILLINGS ARE ALL LEVEL

Choose location on wall and mark drill positions using these measurements for guidance.



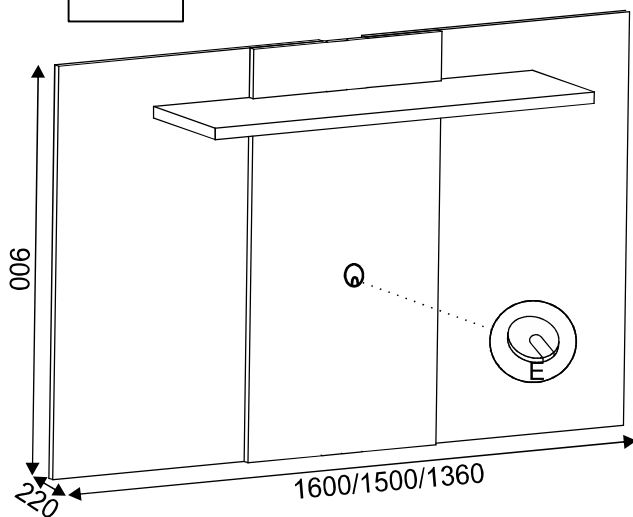
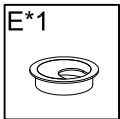
FLOOR

9°



WARNING: check for hidden pipes and cables before drilling.
IMPORTANT you will require specialist fittings suitable for your chosen location, not supplied. Place fixing strip against the wall and mark position for drilling hole. Drill hole in your wall to required depth. Insert plugs into holes. Attach fixing strip to the wall using fixings and securely tighten.

11°



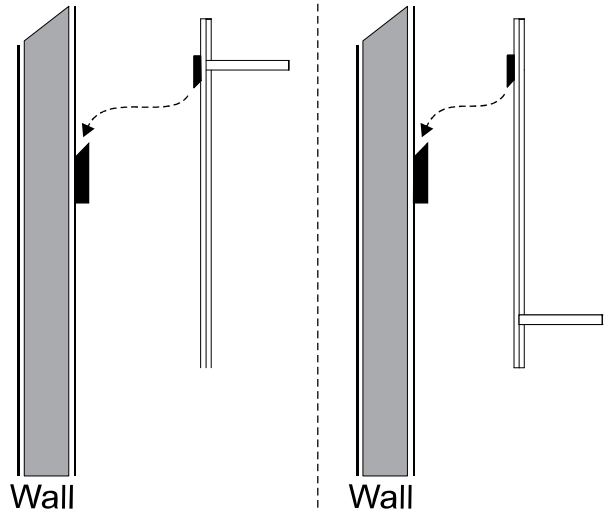
CAN BE ASSEMBLED WITH SHELF ABOVE OR BELOW TV AND TO YOUR PREFERRED WIDTH

10°

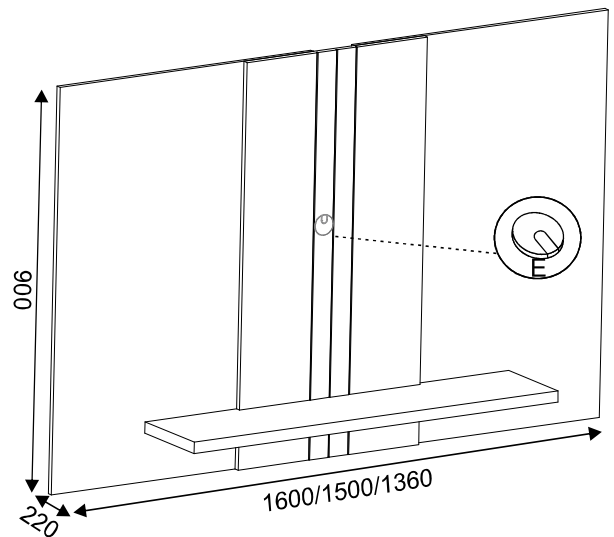
Side View of the Panel

1st OPTION

2nd OPTION



Carefully lift panel on to wall bracket and ensure wiring is accessible and lower locating hole is aligned.



BEFORE PROCEEDING TO INSTALL YOUR TV MOUNTING BRACKET AND TV ENSURE THE UNIT IS FITTED CORRECTLY TO WALL, IF IN DOUBT PLEASE USE THE SERVICES OF A QUALIFIED INSTALLER. DO NOT SIT OR STAND ON THIS UNIT.