

ASCH 16



Thank you for choosing this furniture.

BEFORE YOU START ASSEMBLY please store the carton at room temperature for 48 hours or more so the contents can acclimatise.

PLEASE RETAIN ALL PACKING UNTIL YOU HAVE COMPLETED ASSEMBLY.

Caring for your furniture.

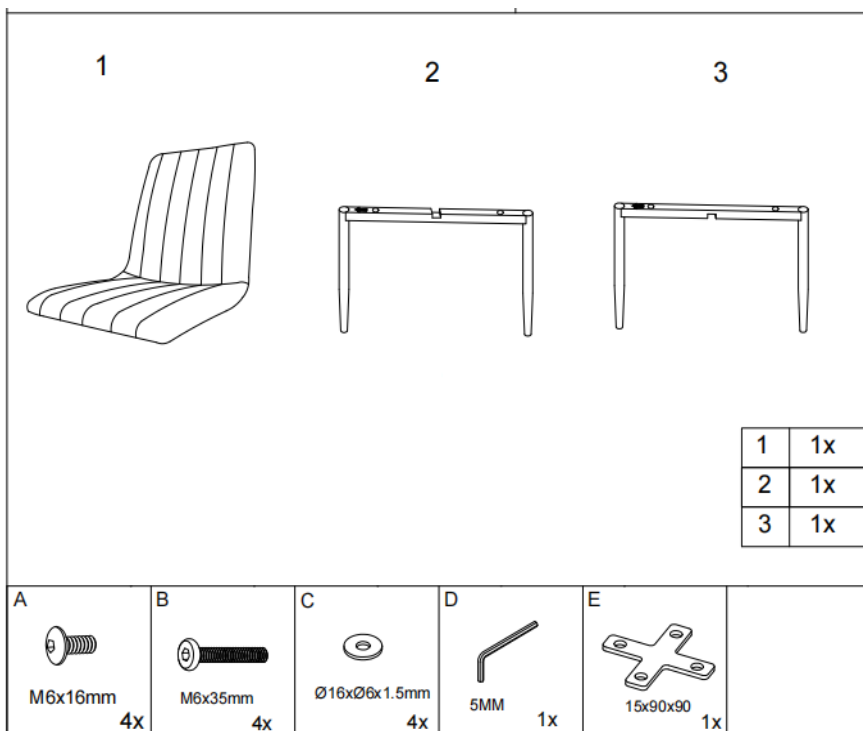
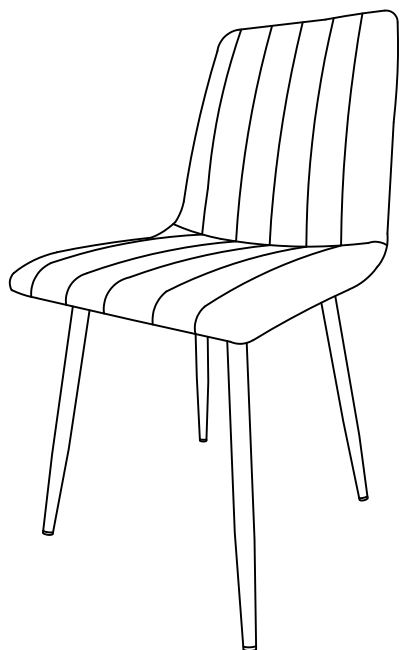
Please avoid placing your furniture close to radiators or other direct sources of heat. Humidity should also be avoided.

Please avoid exposing your furniture to continued bright sunlight as it can affect the colour.

Any fluid spills should be removed as quickly as possible.

Always lift your furniture when moving as dragging may cause damage to your furniture or flooring.

PARTS LIST



Handy Hint: insert bolts into the corresponding holes in the underside of the chairs do not fully tighten. Once all bolts are inserted go back round each bolt and then fully tighten.

BEFORE YOU START ASSEMBLY

Please check that you have all the correct parts and fittings as detailed in the Parts List above.

In the unlikely event that you require to order spare parts please refer to your delivery note for details of how to order on our Parts Website.

www.coreproducts.co.uk/parts

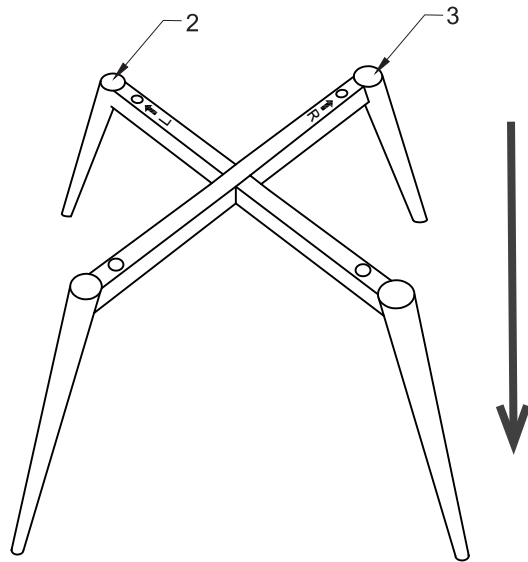
BATCH NUMBER

SKY7267

PLEASE RETAIN THIS INSTRUCTION LEAFLET FOR FUTURE REFERENCE.

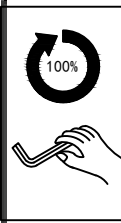
Build your chairs on a soft clean cover to avoid components being marked during assembly.

01

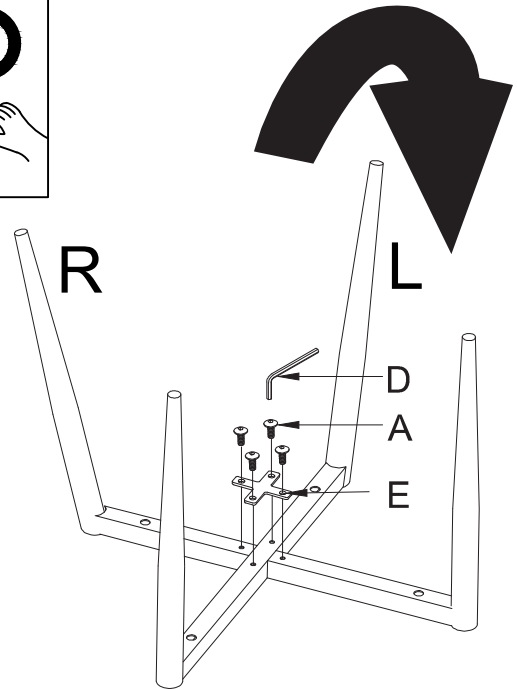


Slot legs into each other ensuring the arrows on the legs are facing the front and the correct way

02

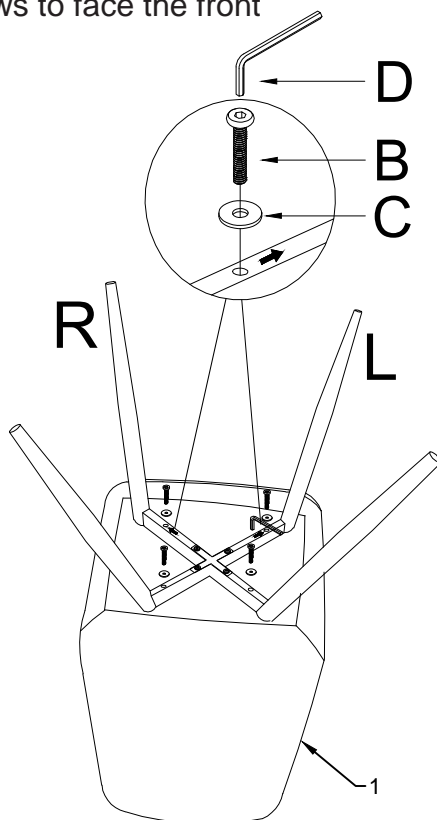
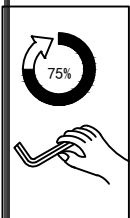


Turn legs over

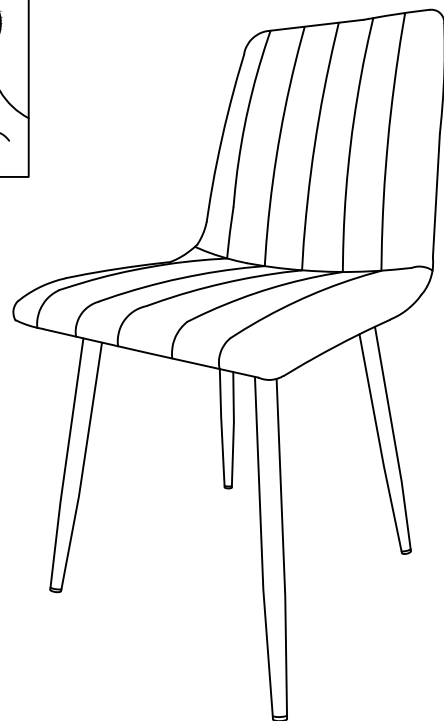
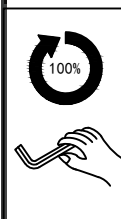


Loose fix centre cross plate E using bolts A, do not fully tighten bolts

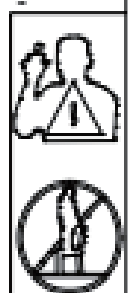
03 Arrows to face the front



04



Once all bolts are inserted proceed to fully tighten.



RETAIN ALLEN KEY TO TIGHTEN BOLTS WHEN NECESSARY.