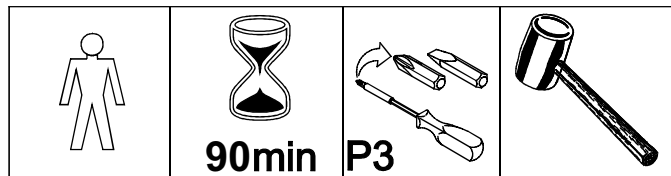


# CRG205



Thank you for choosing this furniture.

**BEFORE YOU START ASSEMBLY** please store the carton at room temperature for 48 hours or more so the contents can acclimatise.

**PLEASE RETAIN ALL PACKING UNTIL YOU HAVE COMPLETED ASSEMBLY.**

## Information about your Pine furniture.

Our pine furniture ranges have been carefully crafted from solid wood and natural wood veneers. Each piece of pine has unique characteristics such as knots, variances in shading and graining. These are part of the natural character of the furniture itself.

## Caring for your Pine furniture.

Extreme temperature can cause slight movements in the wood itself so please avoid placing your furniture close to radiators or other direct sources of heat. Humidity should also be avoided.

Please avoid exposing your furniture to continued bright sunlight as it can affect the colour.

Any fluid spills should be removed as quickly as possible.

Always lift your furniture when moving as dragging may cause damage to your furniture or flooring.

## After care.

Wipe the surfaces with a dry cloth and occasionally apply household furniture polish. Please do not use detergents or chemicals on your furniture.

## **BEFORE YOU START ASSEMBLY**

Please check that you have all the correct parts and fittings as detailed on the assembly instructions.

### PARTS LIST

**1** x08  
**2** x08  
**3** x08  
**4** x08  
**5** x08  
**6** x08  
**7** x08

**A** x08  
35mm  
P3  
Ø4,0

**B** x32  
7 x 70mm

**C** x08

Allen key x01

**PAINT** x01  
RED = PAINT  
**Warning!**  
The RED sachet contains touch up paint for your furniture. Please retain for use should you require it at any point in the future. Application is best with a small paint brush which can be cleaned in water after use.  
Keep out of reach from children. Keep away from eyes, if product gets into eye rinse thoroughly and repeatedly with water. Do not ingest, if swallowed seek medical advice from doctor.

**RETAIN ALLEN KEY TO TIGHTEN BOLTS WHEN NECESSARY.**

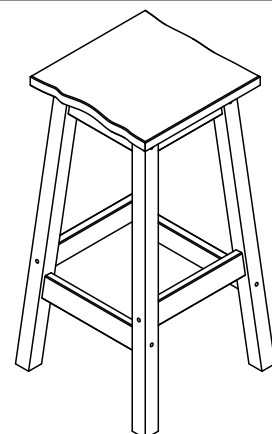
## **FOR DAMAGED/REPLACEMENT PARTS**

Please visit

[www.coreproducts.co.uk/parts](http://www.coreproducts.co.uk/parts)

BATCH NUMBER **2024/0605**

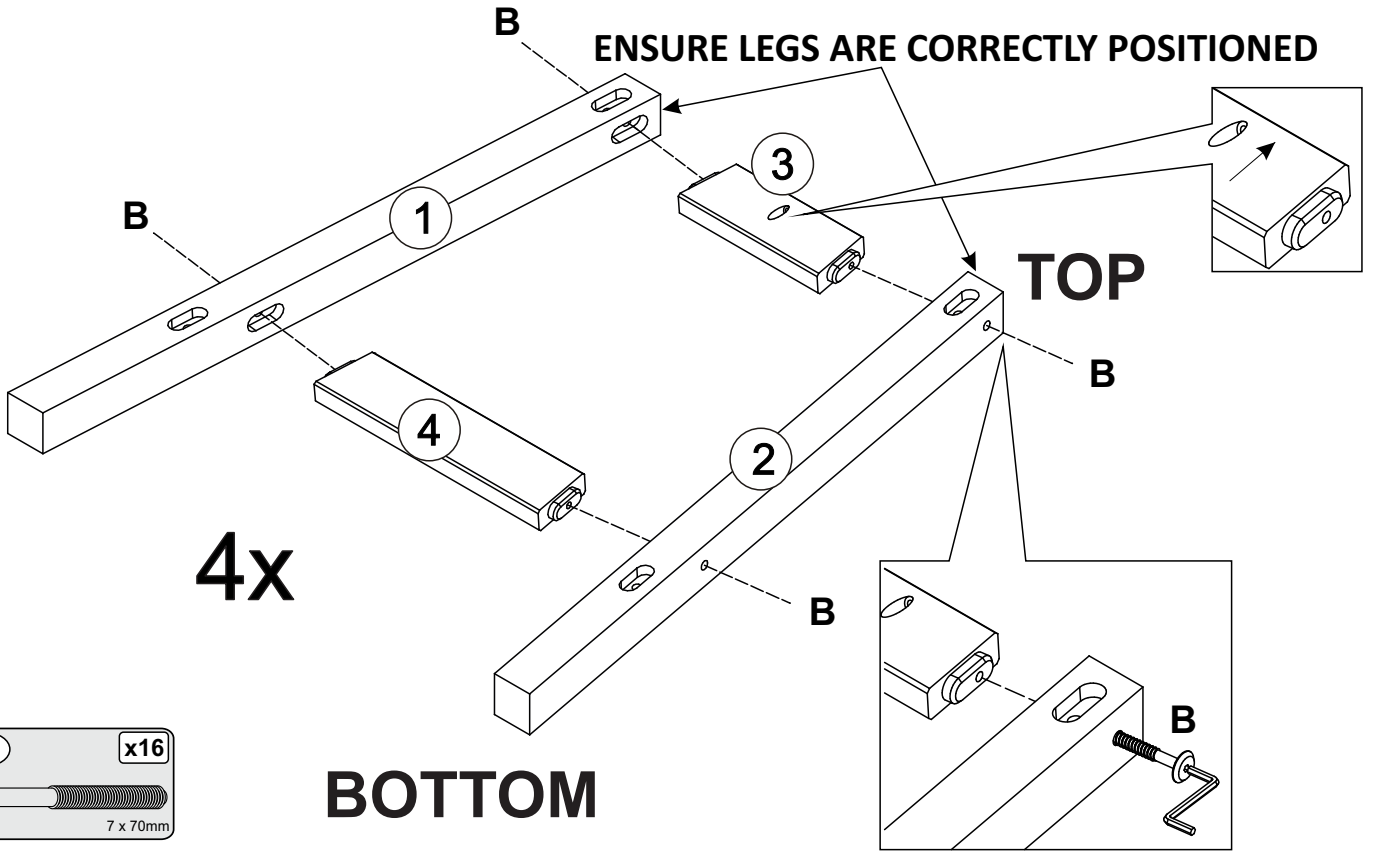
**PLEASE RETAIN THIS LEAFLET ALONG WITH YOUR DELIVERY NOTE/ RECEIPT FOR FUTURE REFERENCE**



# 01

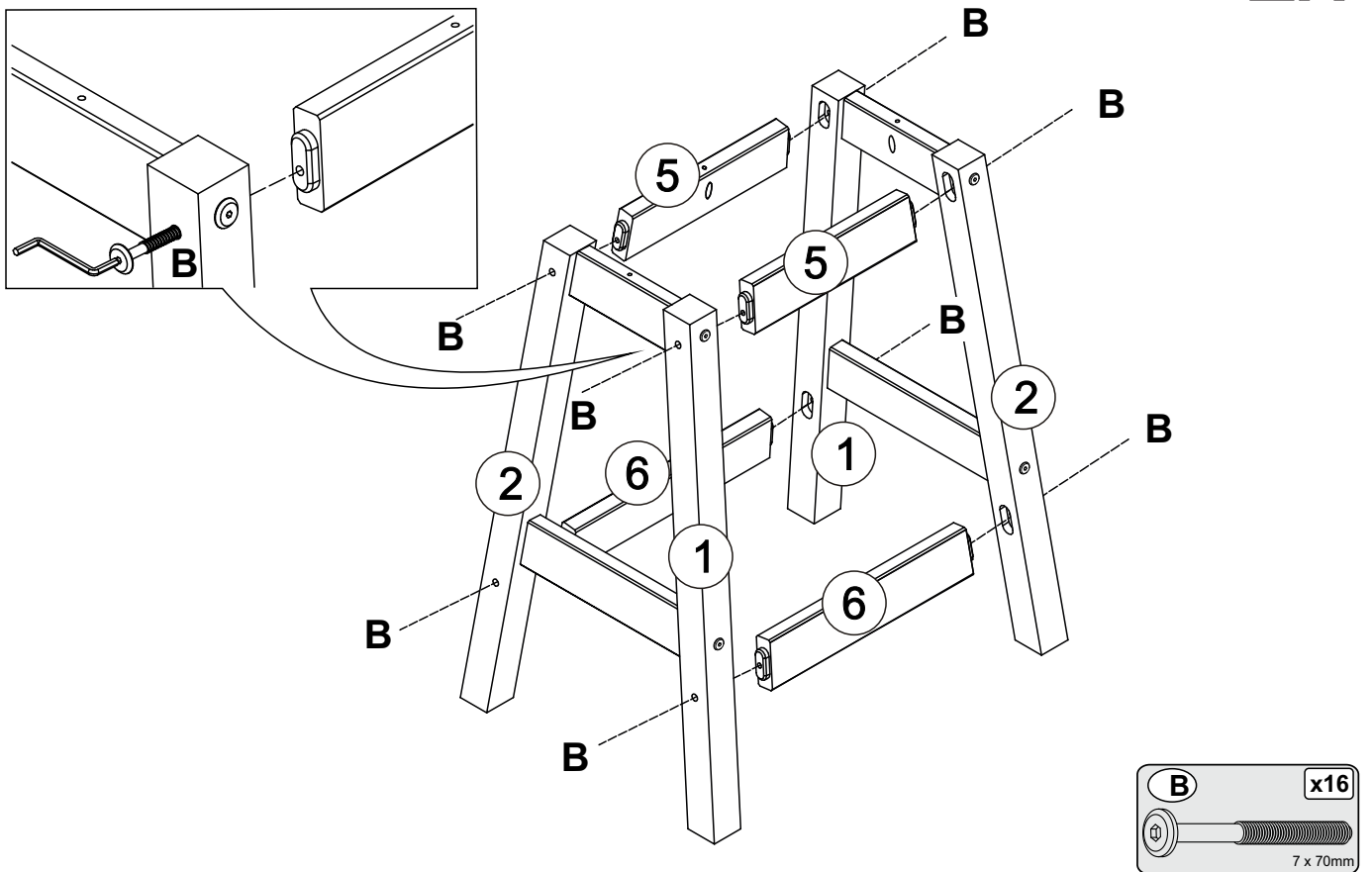
Build your furniture on a soft clean cover to stop the components getting marked during assembly

ENSURE LEGS ARE CORRECTLY POSITIONED

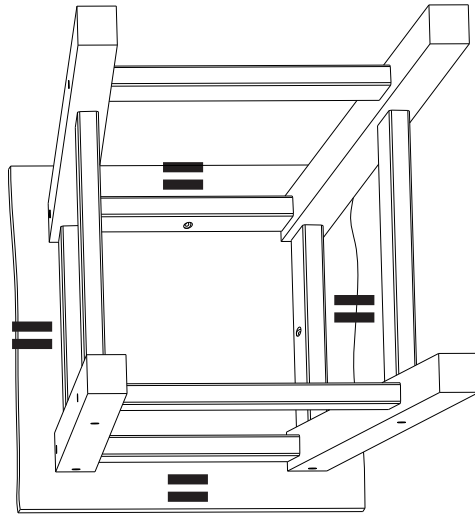
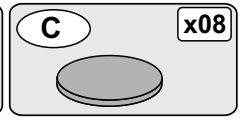
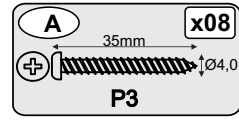


# 02

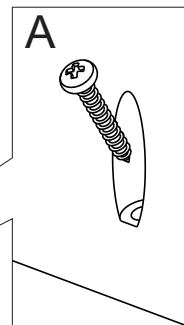
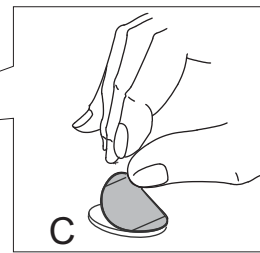
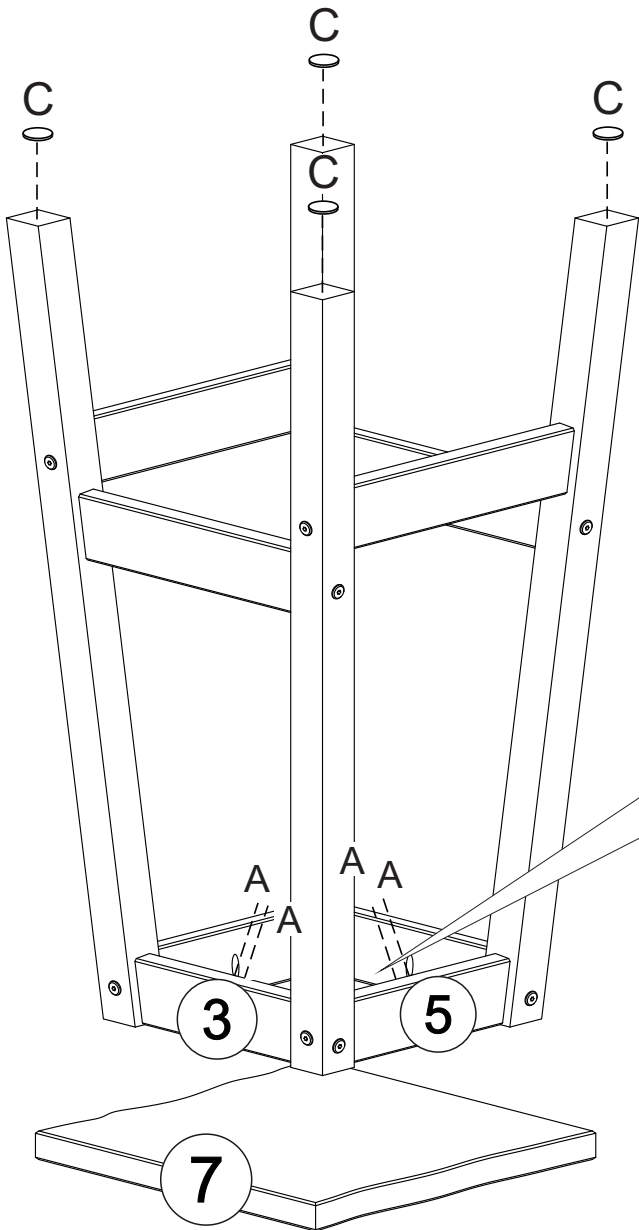
# 2x



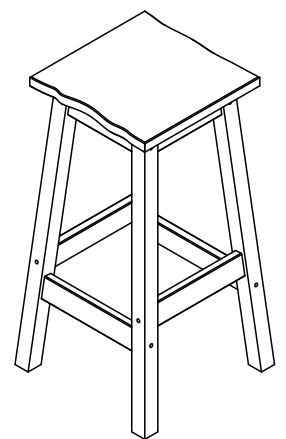
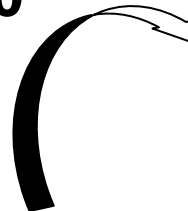
03



2x



180°



**CHOOSE BEST SIDE FOR TOP OF SEAT**