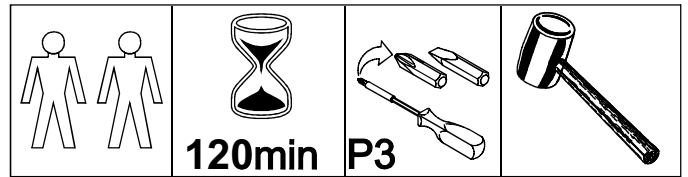


CRGTBSET5

CRWTBSET5



Thank you for choosing this furniture.

BEFORE YOU START ASSEMBLY please store the carton at room temperature for 48 hours or more so the contents can acclimatise.

PLEASE RETAIN ALL PACKING UNTIL YOU HAVE COMPLETED ASSEMBLY.

Information about your Pine furniture.

Our pine furniture ranges have been carefully crafted from solid wood and natural wood veneers. Each piece of pine has unique characteristics such as knots, variances in shading and graining. These are part of the natural character of the furniture itself.

Caring for your Pine furniture.

Extreme temperature can cause slight movements in the wood itself so please avoid placing your furniture close to radiators or other direct sources of heat. Humidity should also be avoided.

Please avoid exposing your furniture to continued bright sunlight as it can affect the colour.

Any fluid spills should be removed as quickly as possible.

Always lift your furniture when moving as dragging may cause damage to your furniture or flooring.

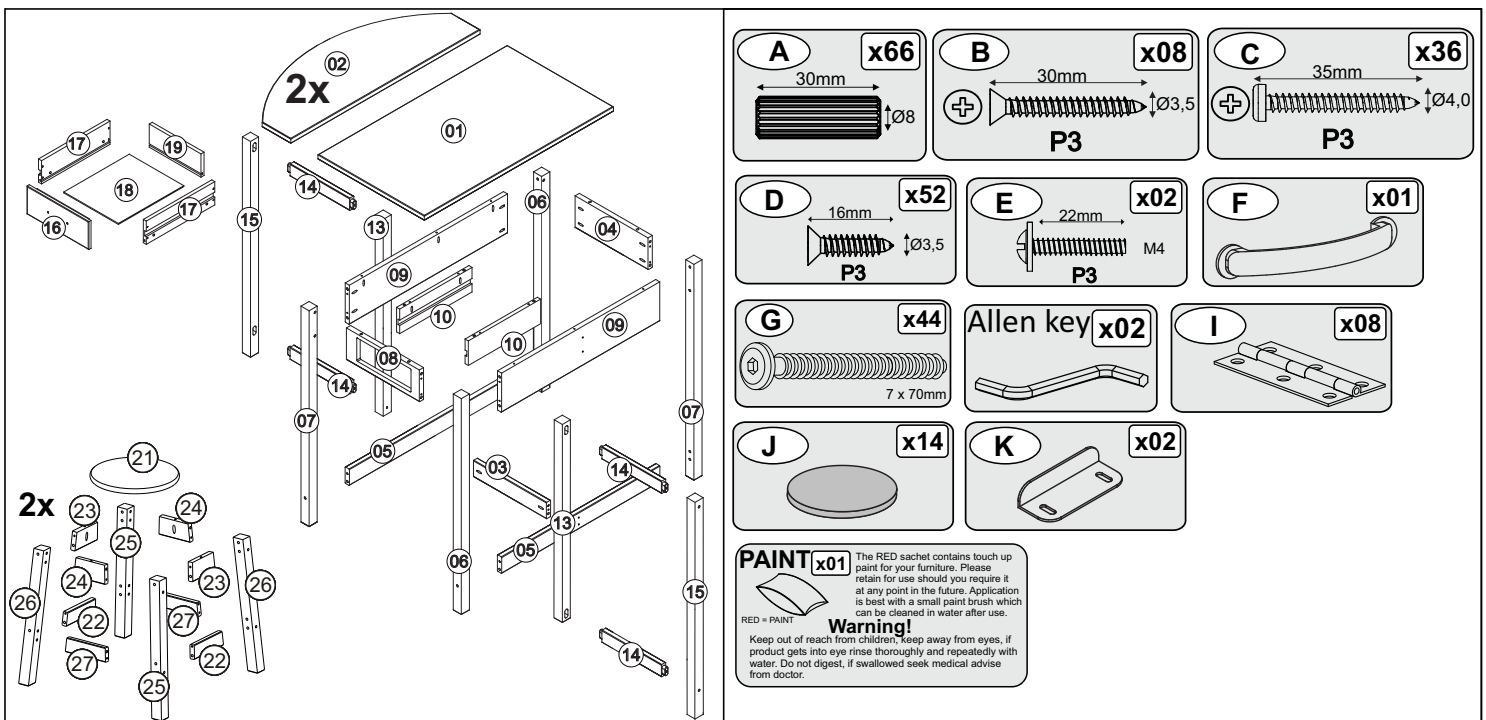
After care.

Wipe the surfaces with a dry cloth and occasionally apply household furniture polish. Please do not use detergents or chemicals on your furniture.

BEFORE YOU START ASSEMBLY

Please check that you have all the correct parts and fittings as detailed on the assembly instructions.

PARTS LIST



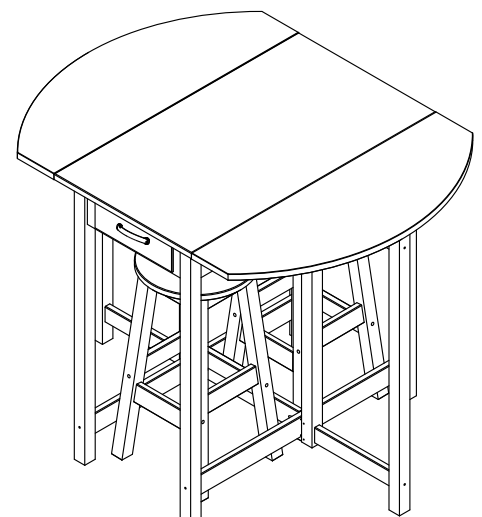
FOR DAMAGED/REPLACEMENT PARTS

Please visit

www.coreproducts.co.uk/parts

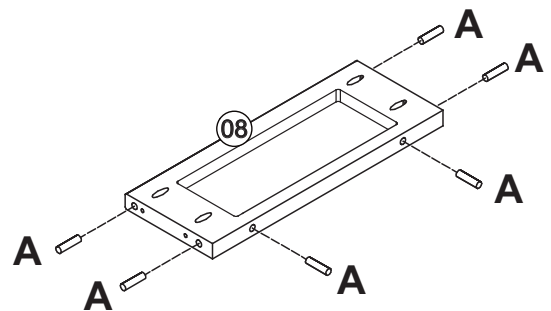
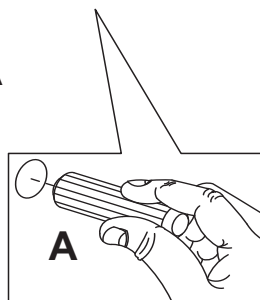
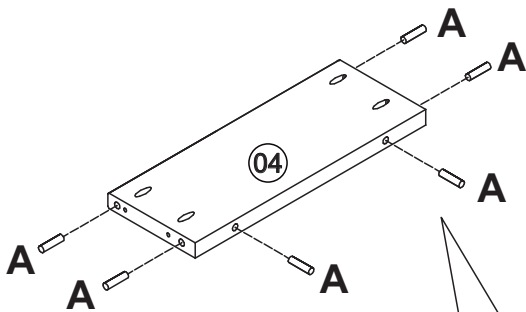
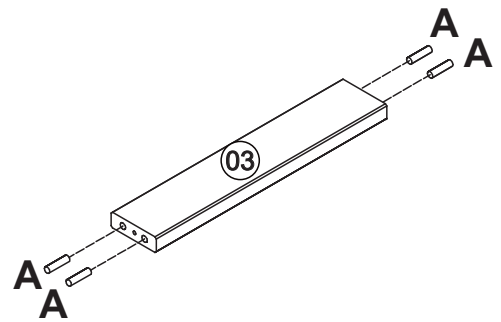
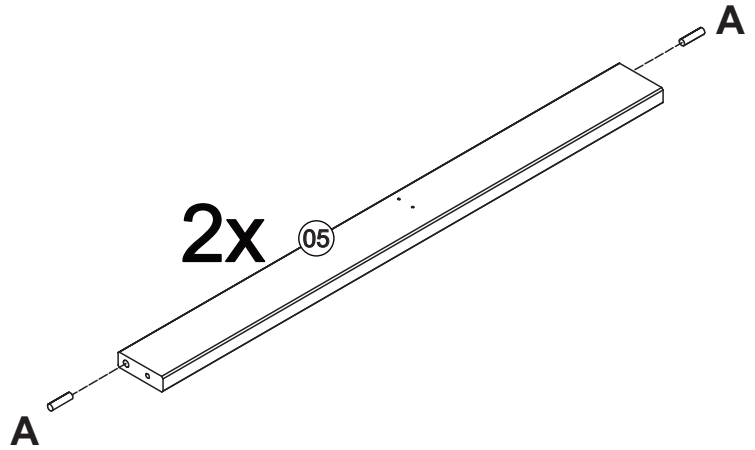
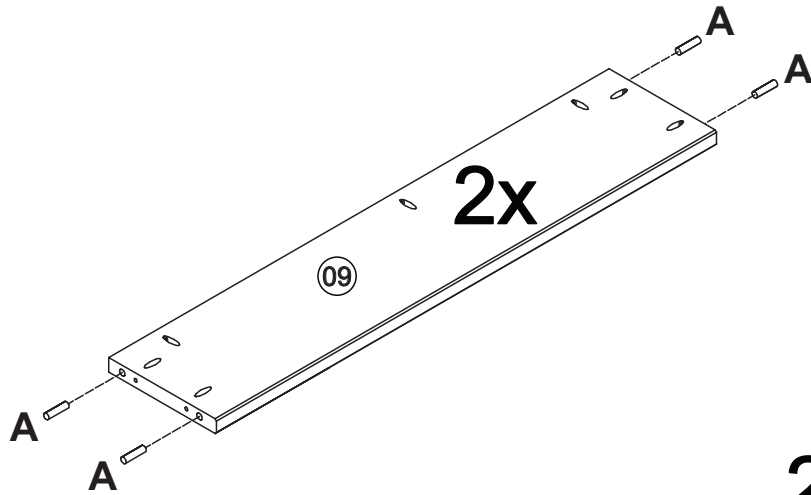
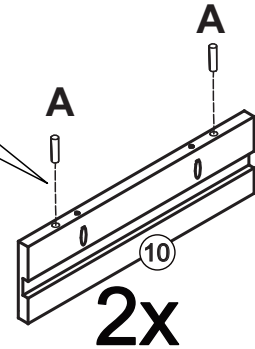
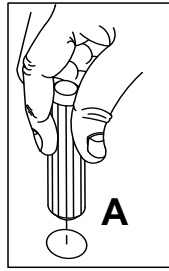
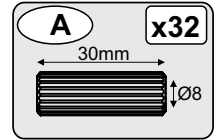
BATCH NUMBER **2024/0605**

PLEASE RETAIN THIS LEAFLET ALONG WITH YOUR DELIVERY NOTE/ RECEIPT FOR FUTURE REFERENCE

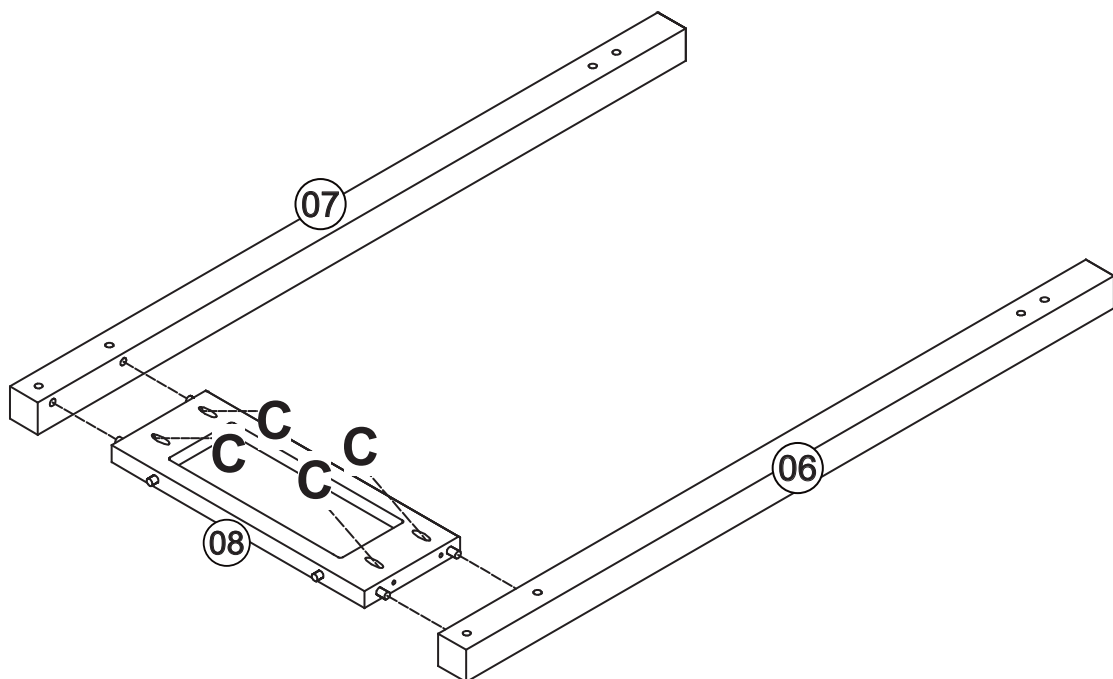
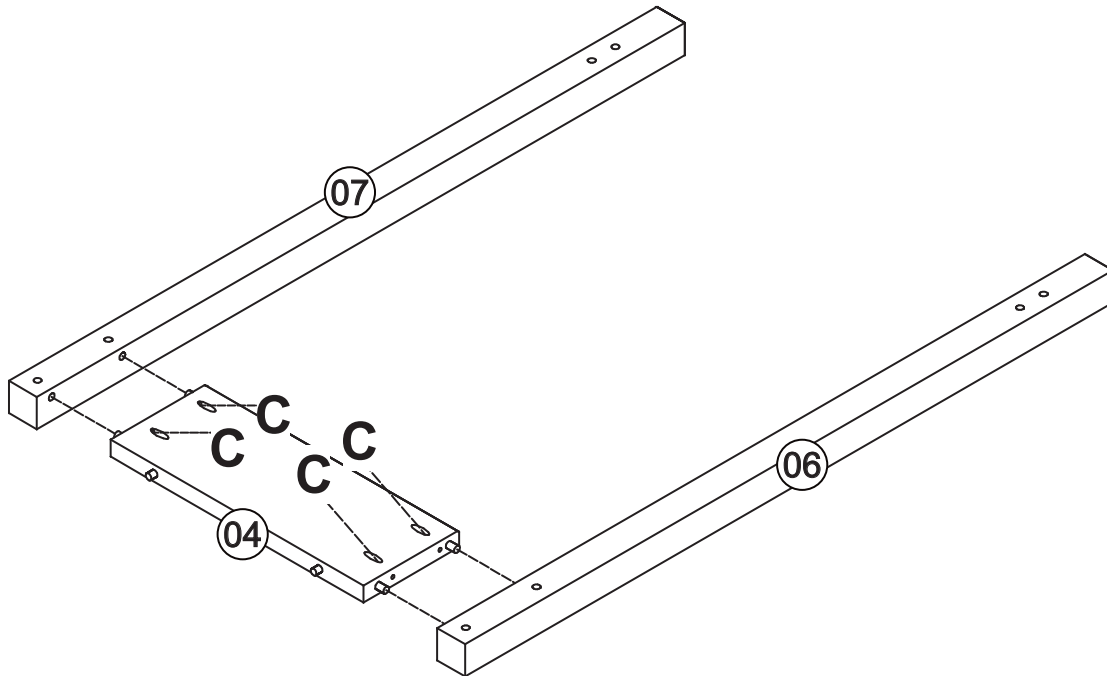


01

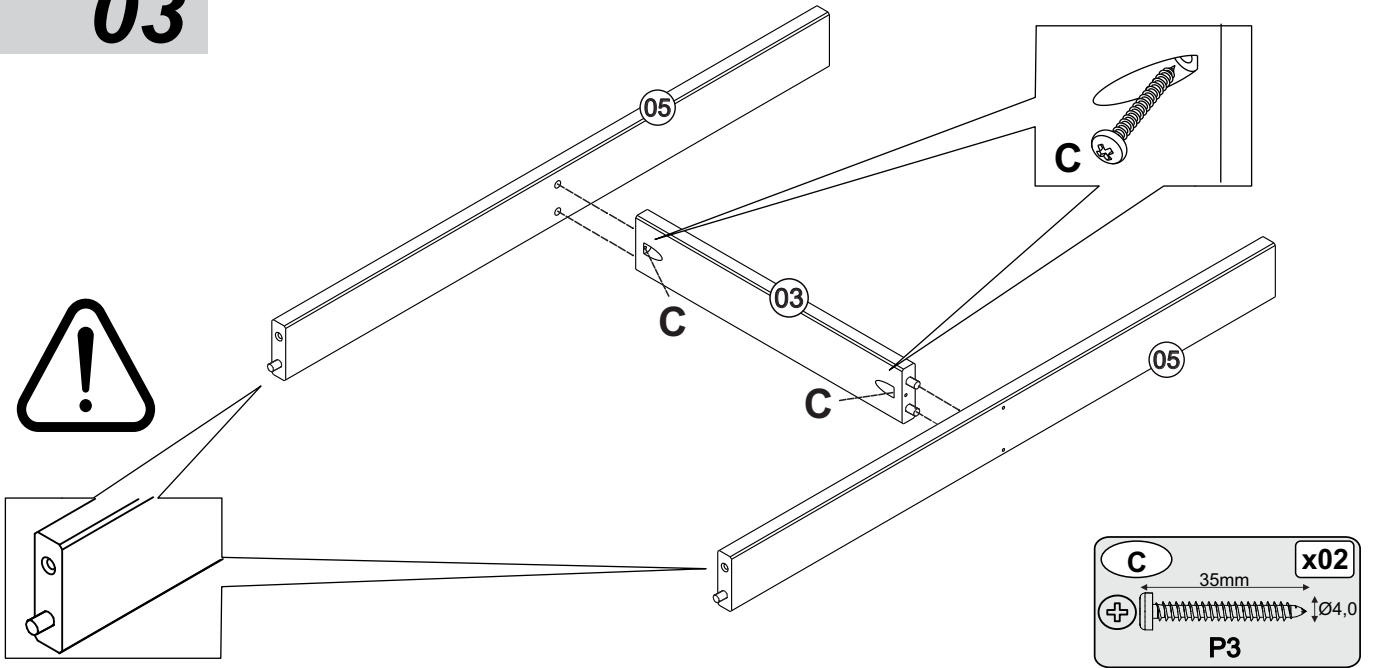
Build your furniture on a soft clean cover to stop the components getting marked during assembly



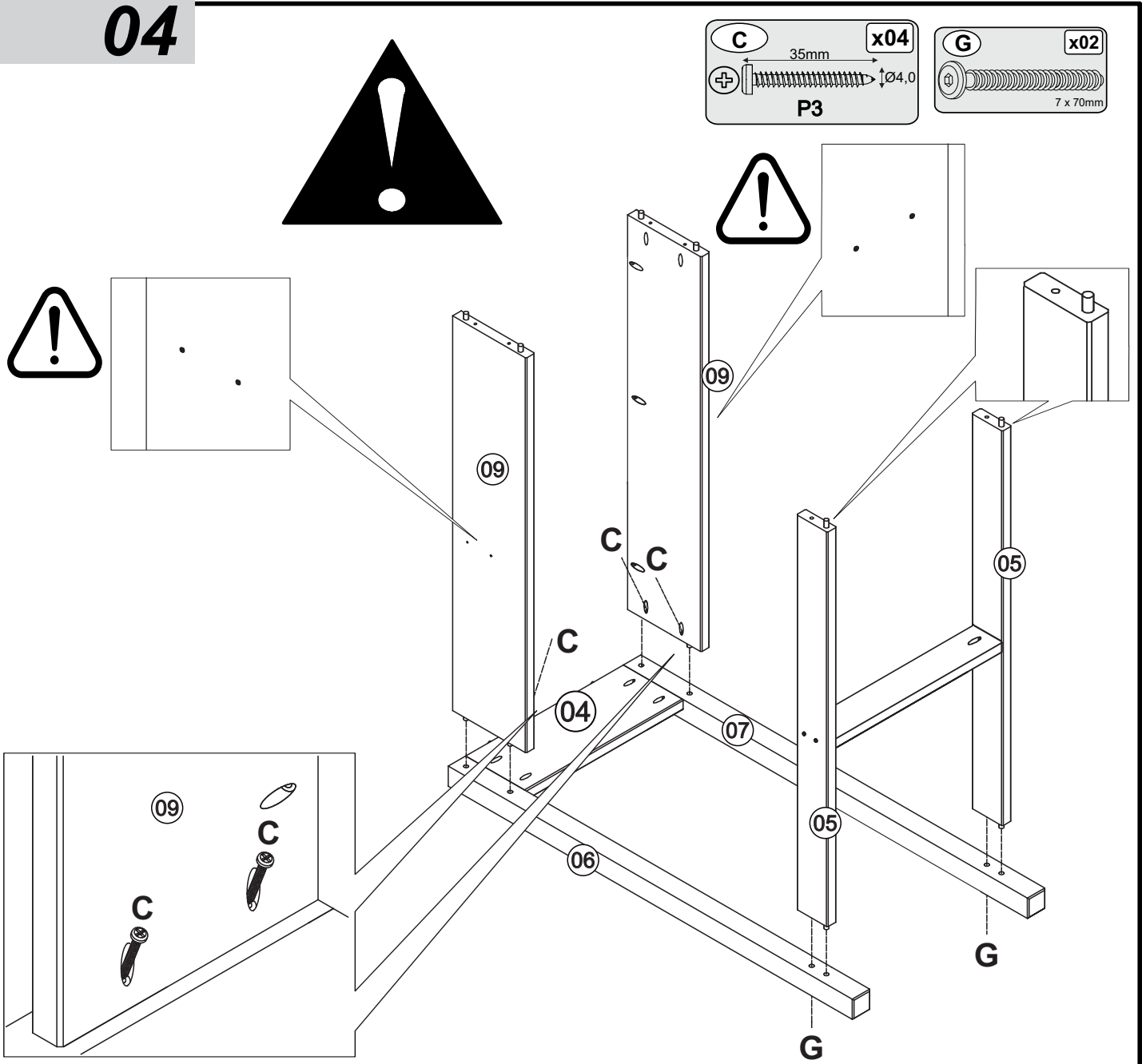
C **x08**
35mm
+ $\varnothing 4.0$
P3



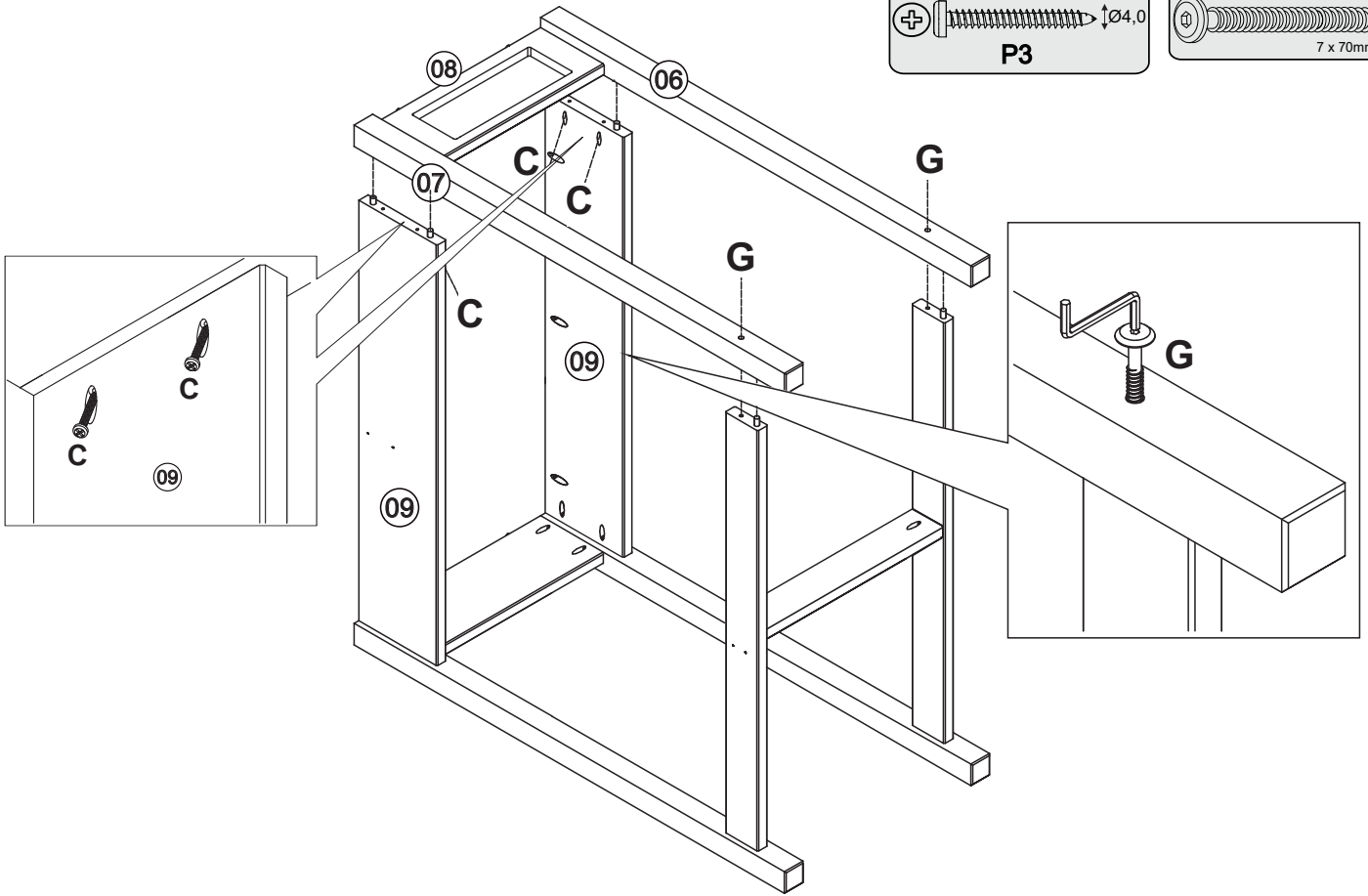
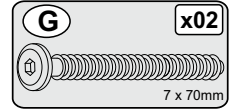
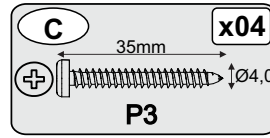
03



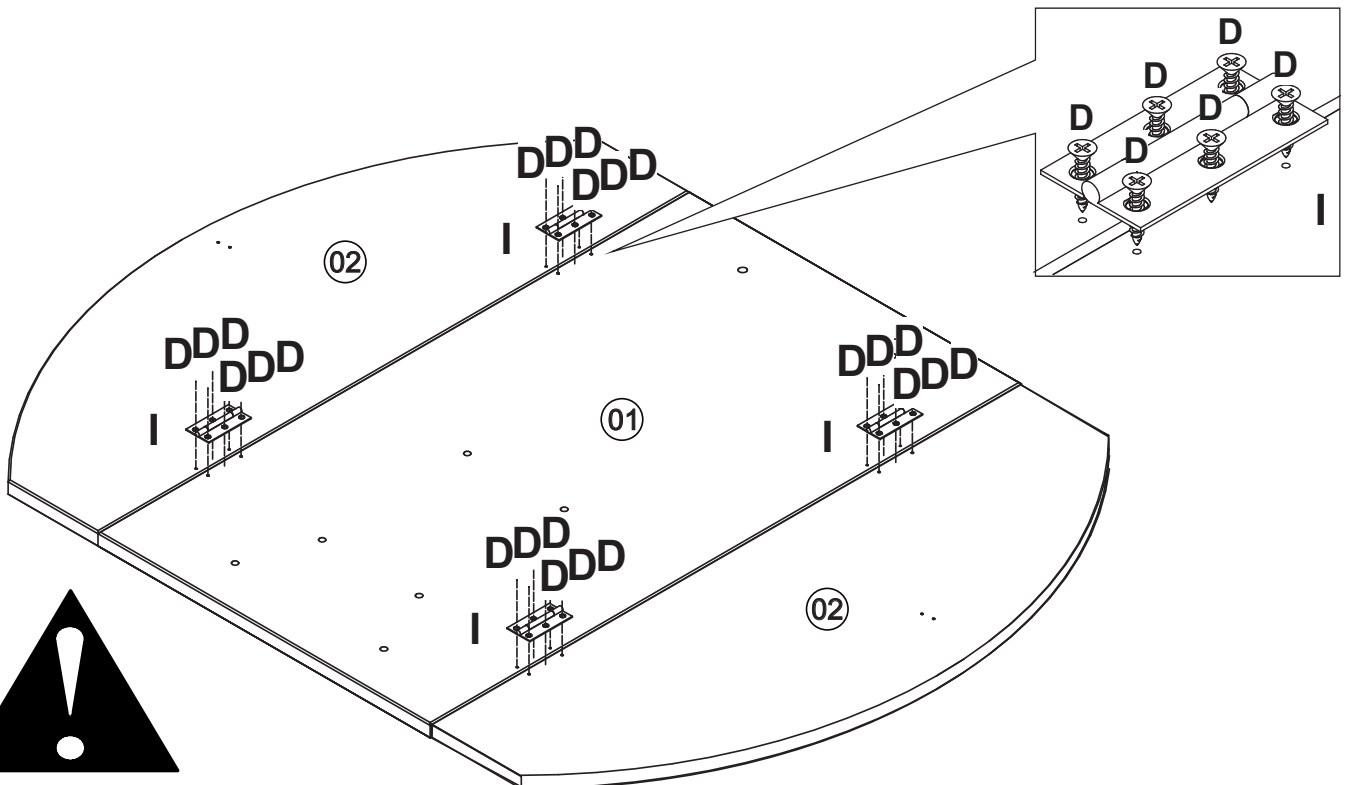
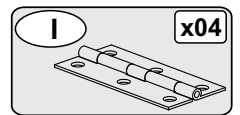
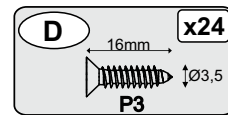
04



05

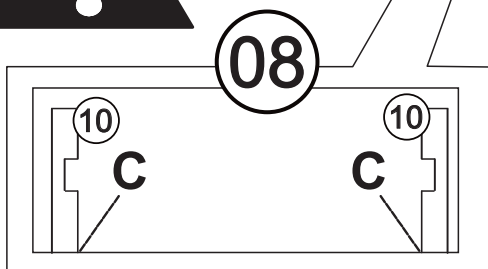
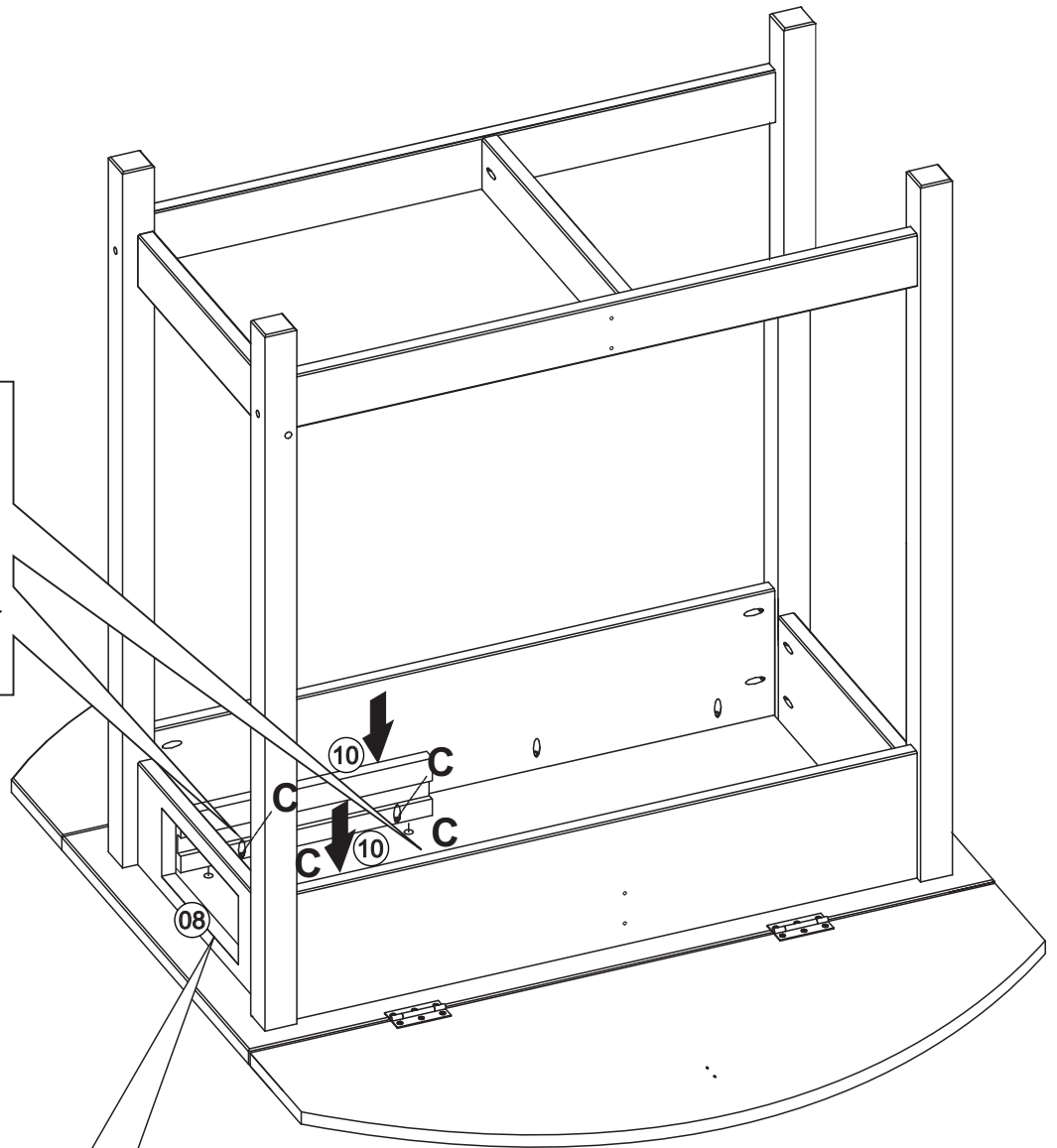
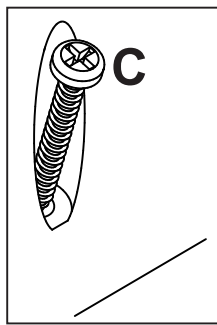
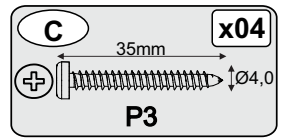


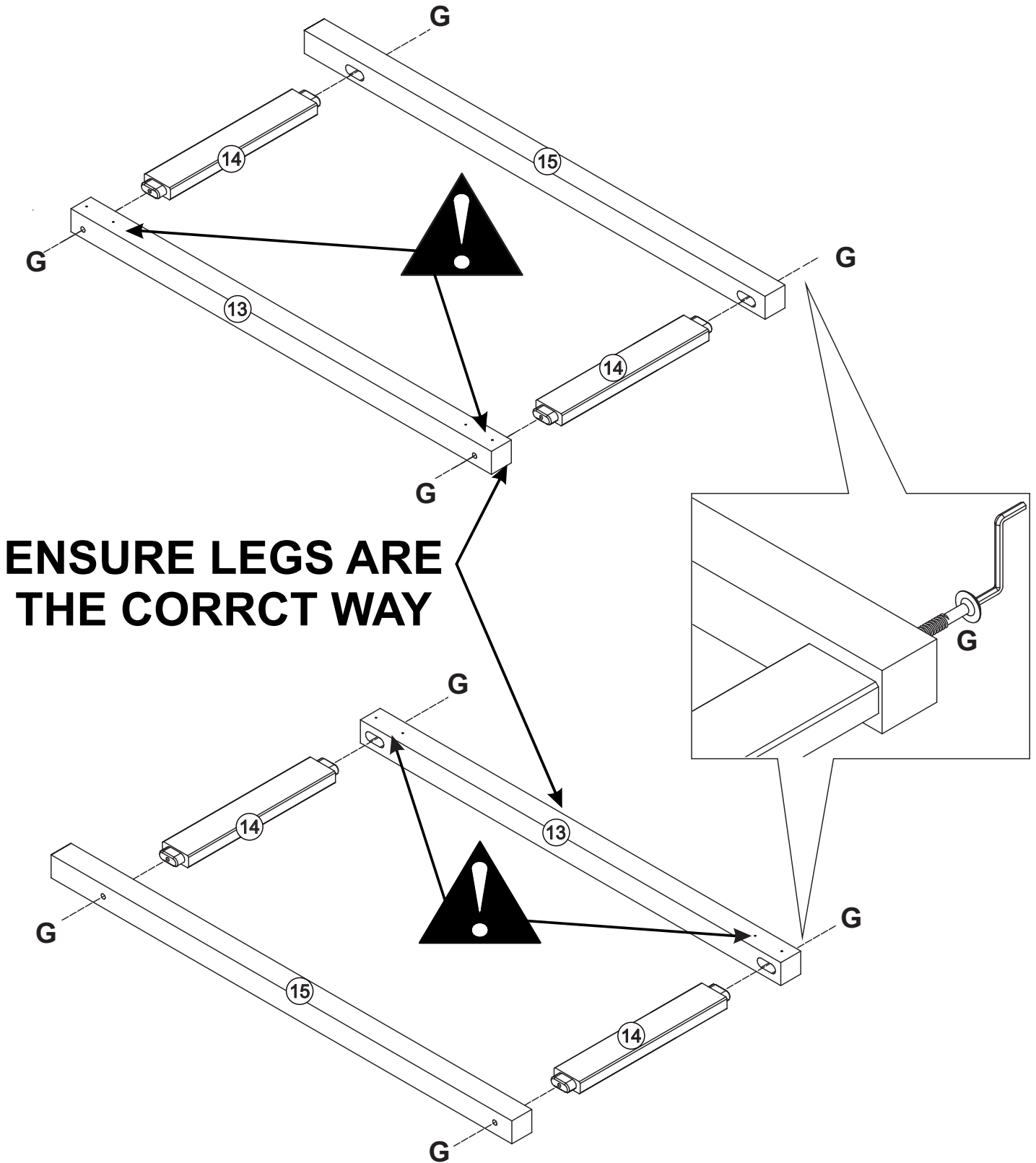
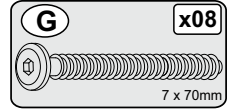
06

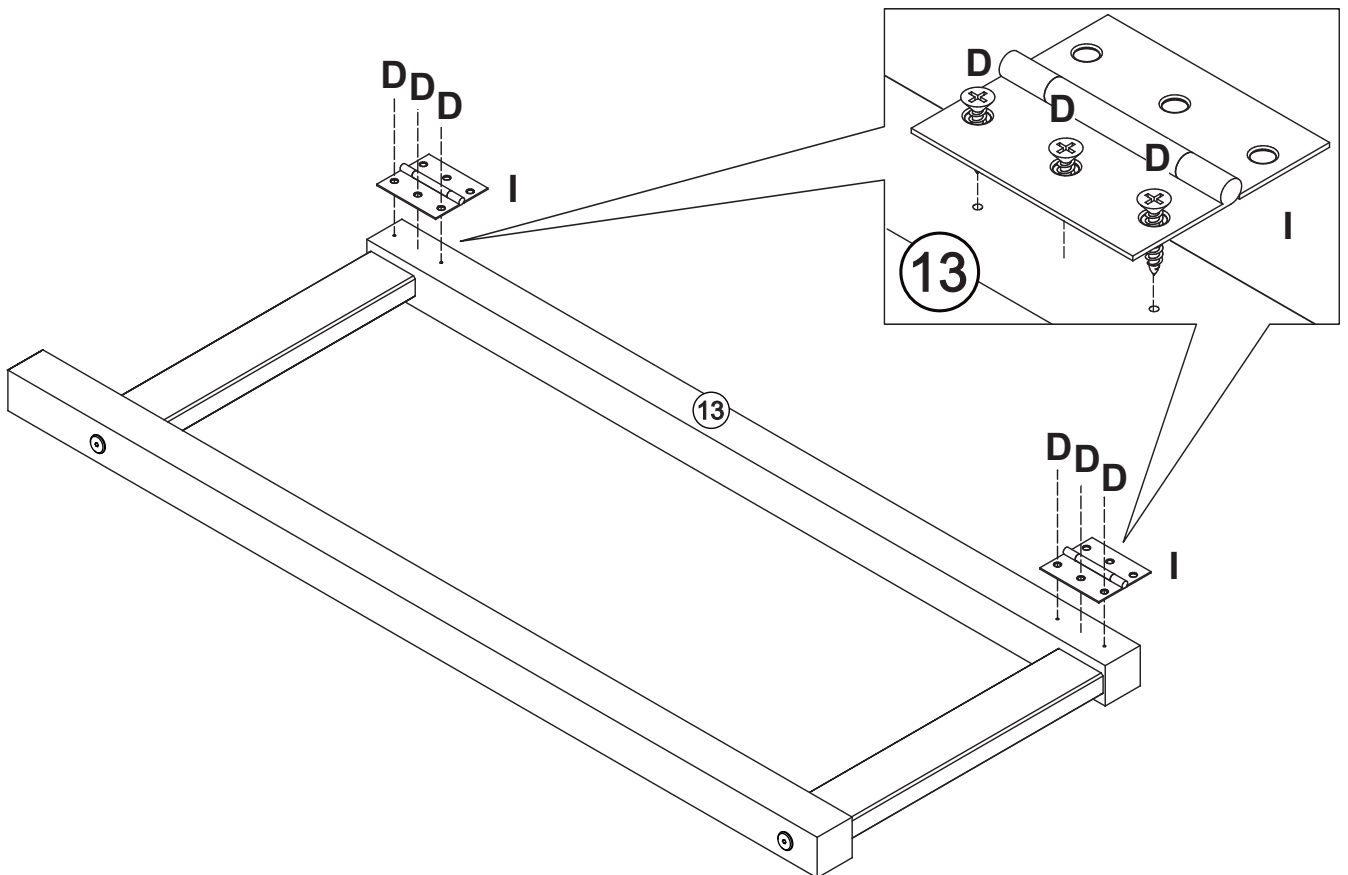
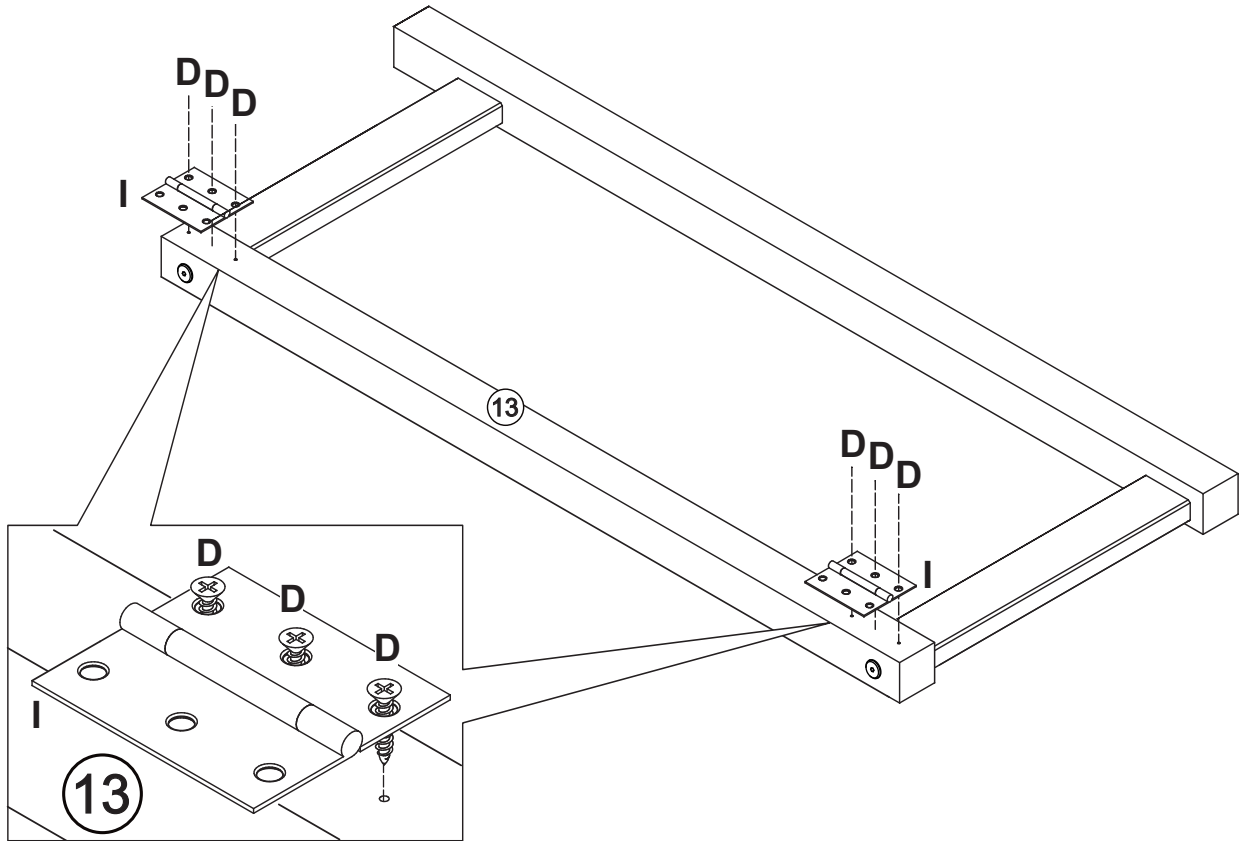
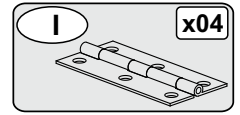
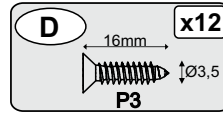


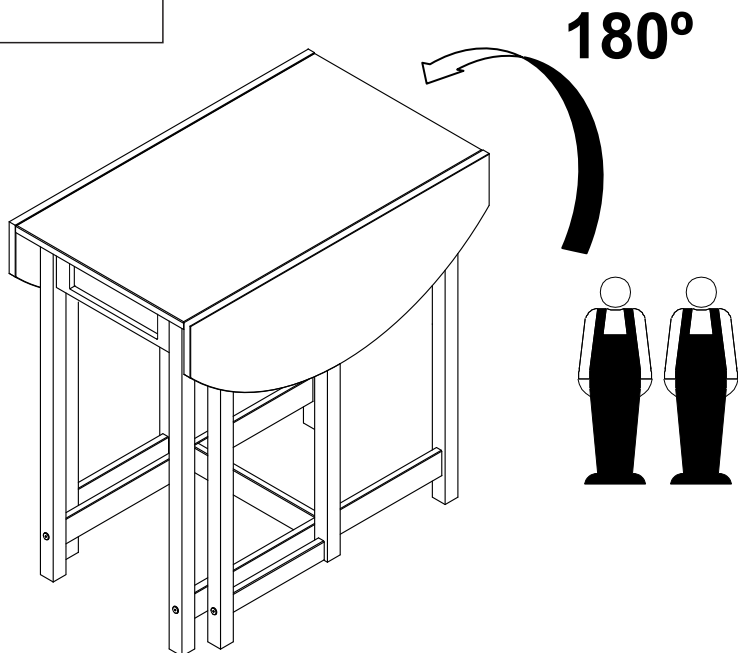
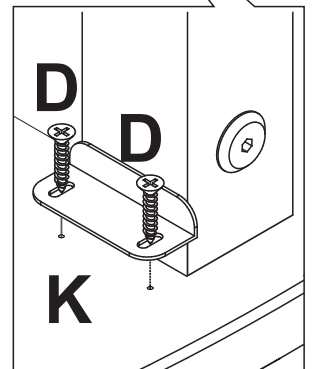
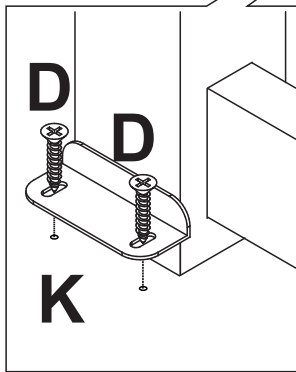
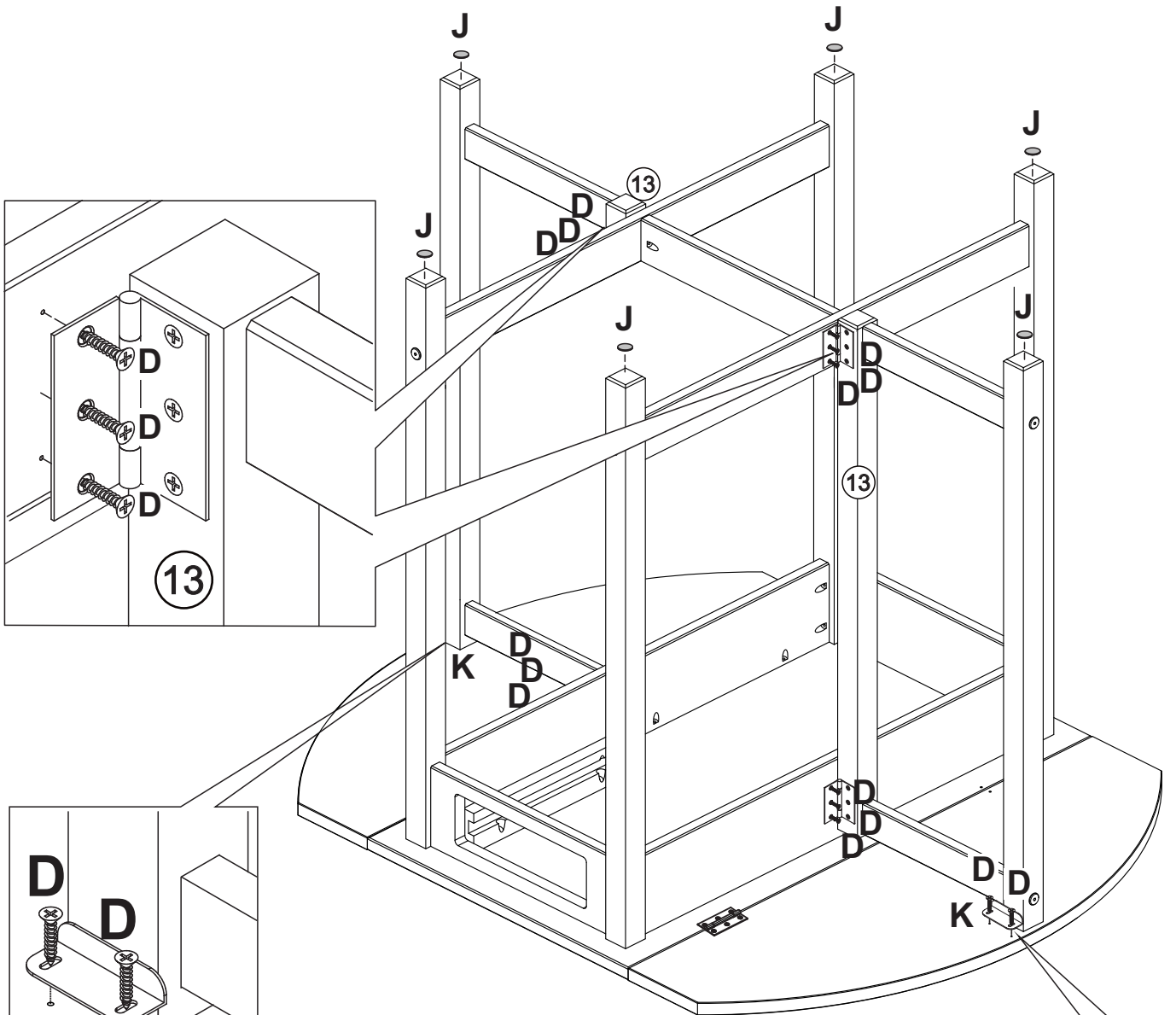
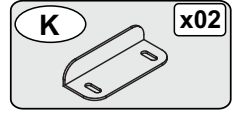
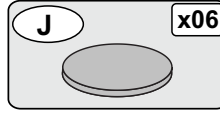
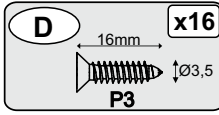
ENSURE EDGES ARE KEPT FLUSH

08

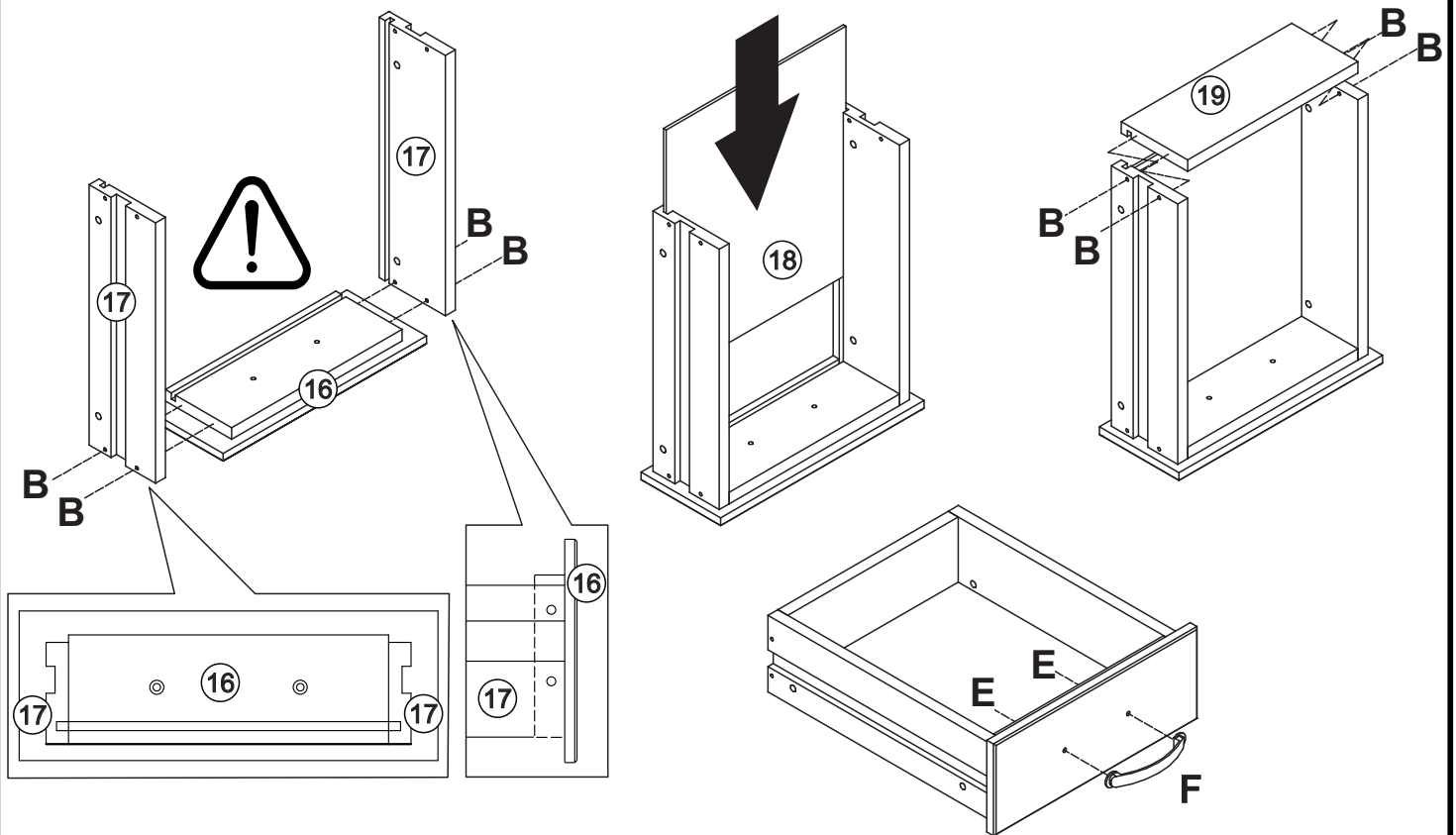
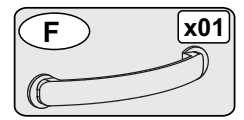
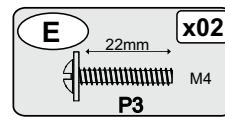
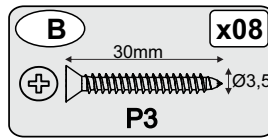




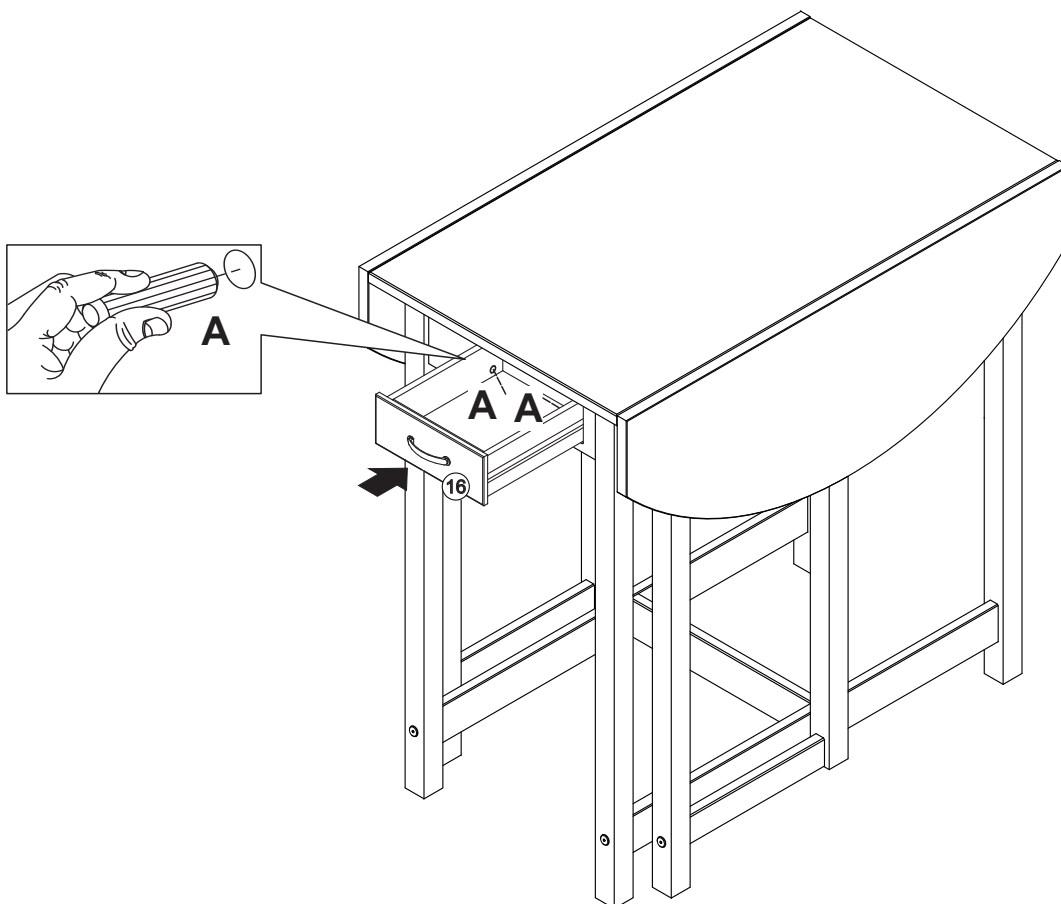
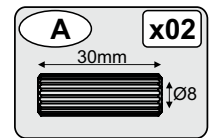




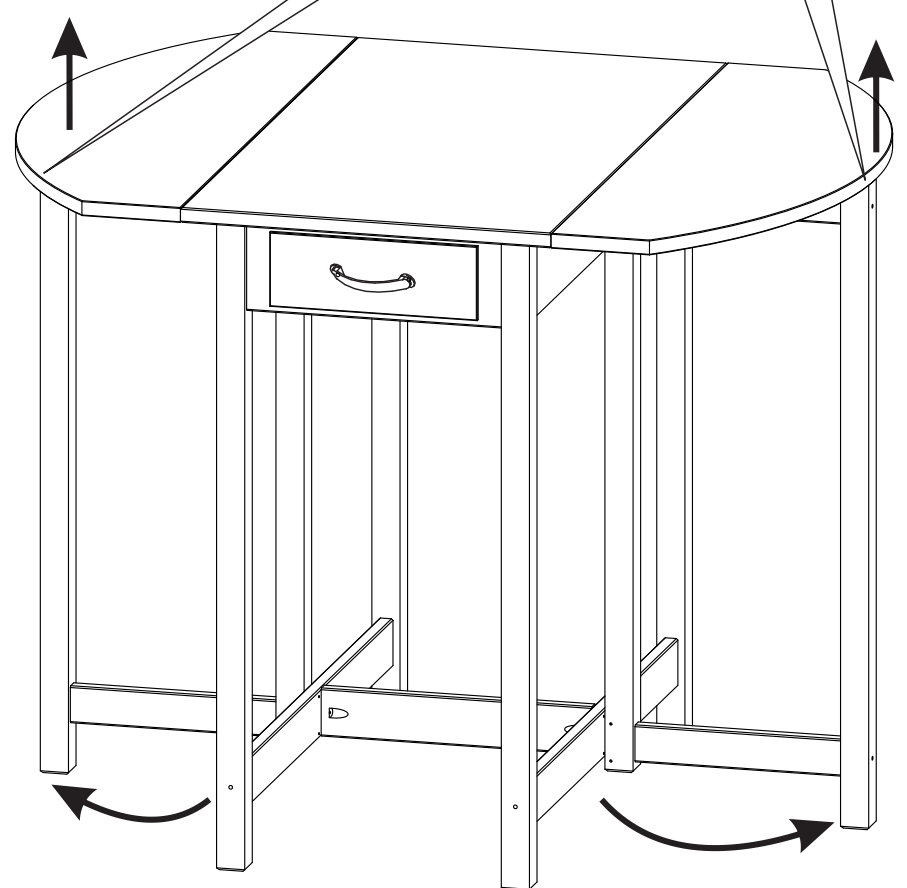
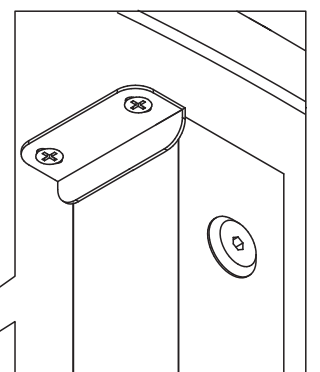
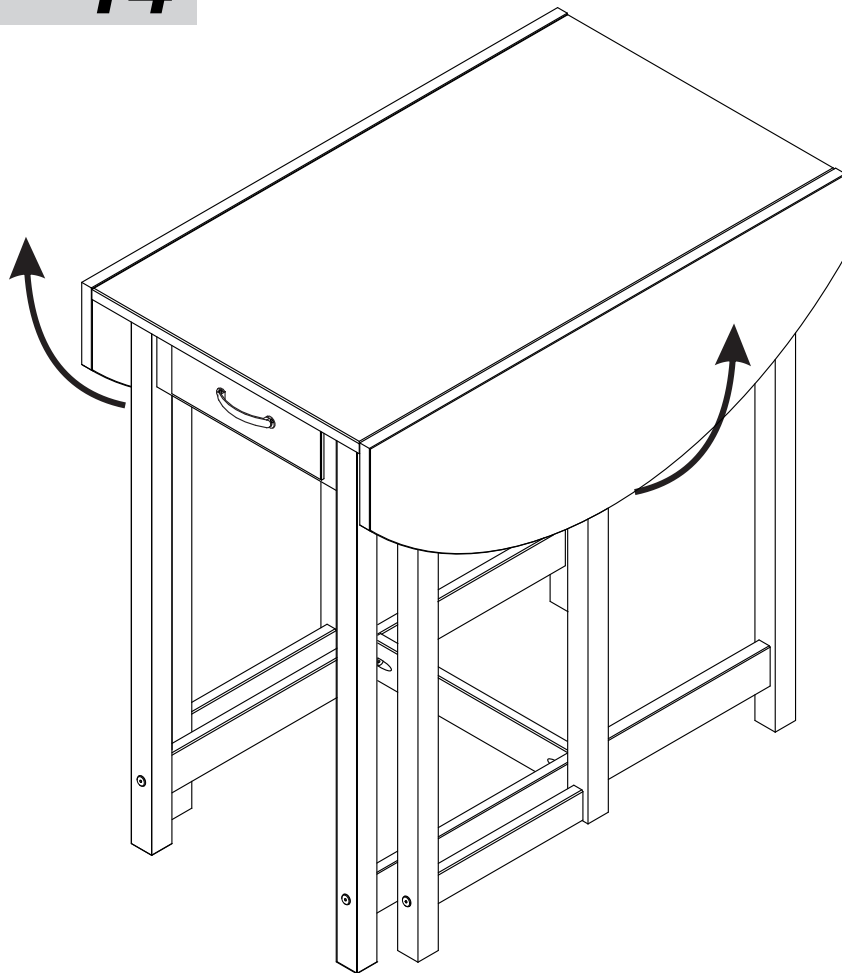
12



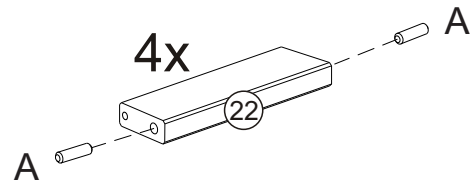
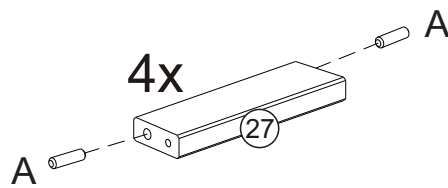
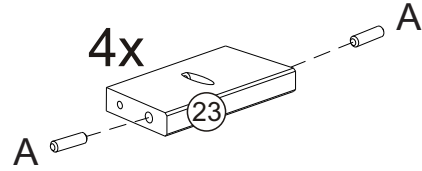
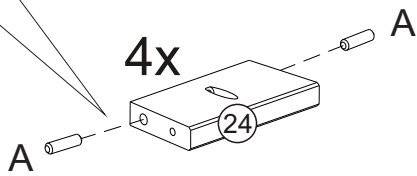
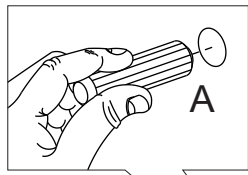
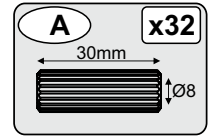
13



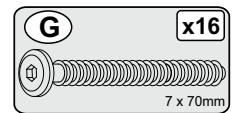
14



15

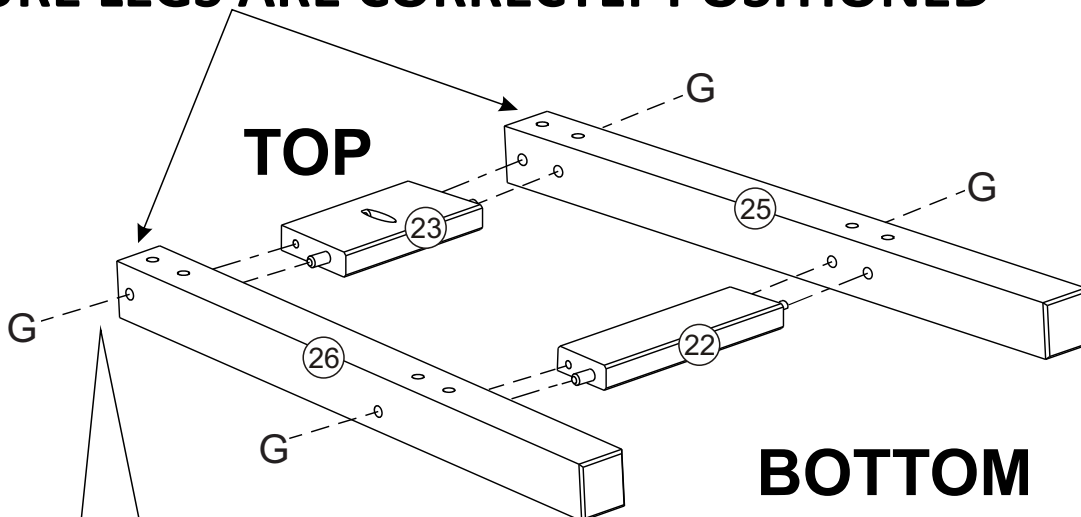


16

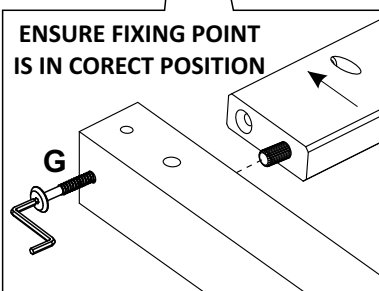


ENSURE LEGS ARE CORRECTLY POSITIONED

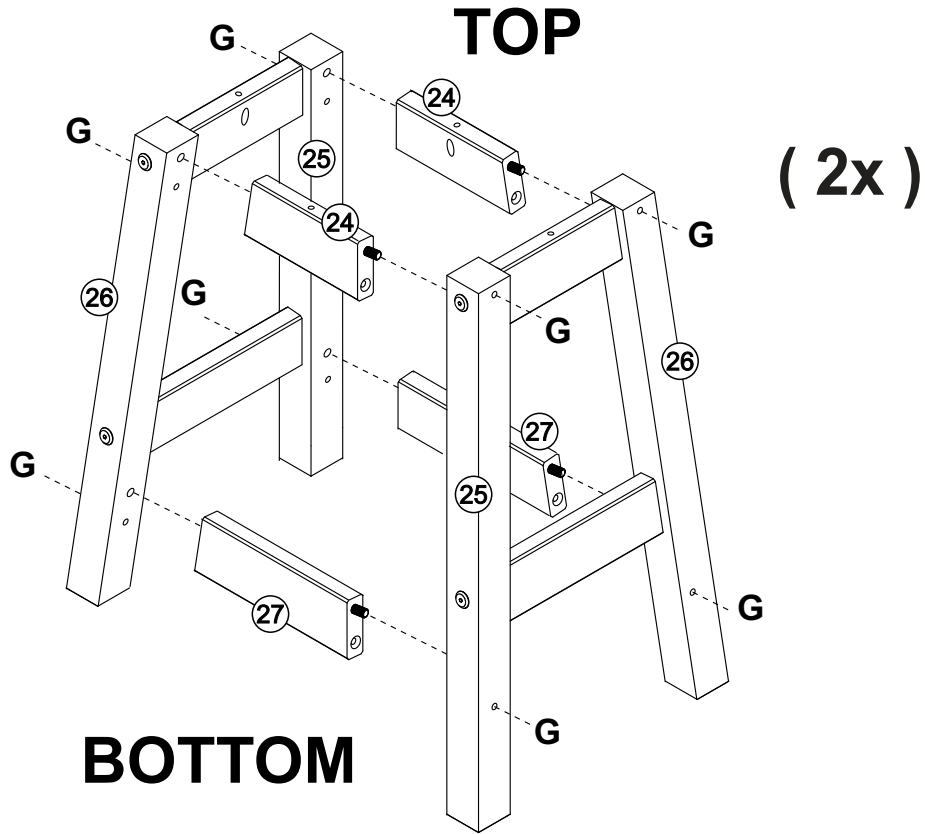
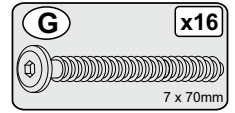
(4x)



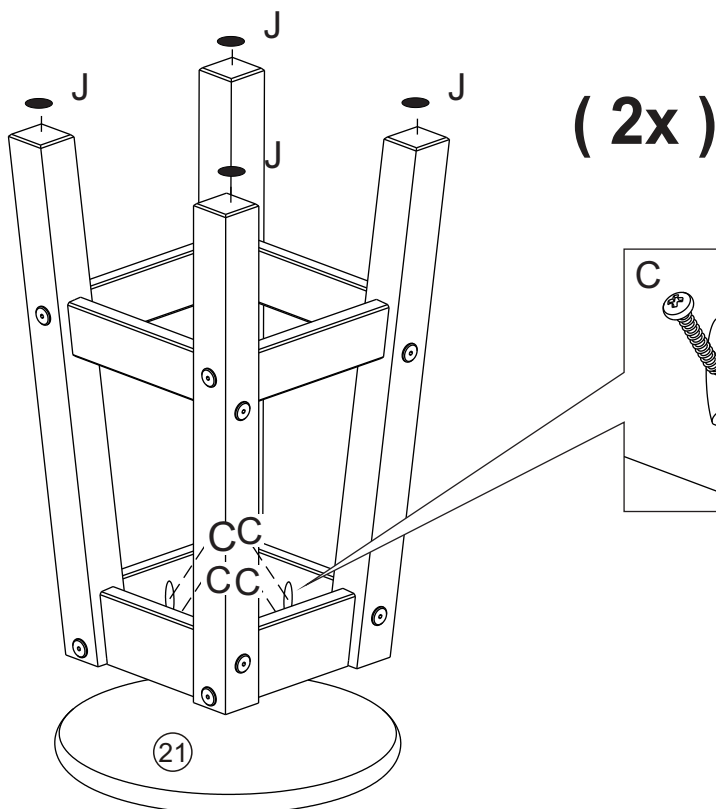
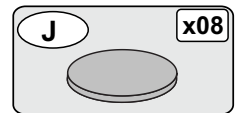
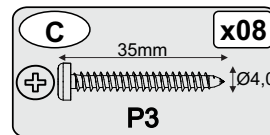
ENSURE FIXING POINT IS IN CORECT POSITION



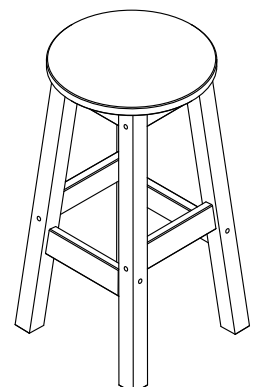
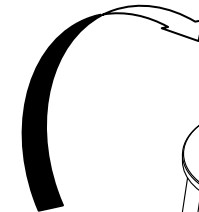
17



18



180°



CHOOSE BEST SIDE FOR TOP OF SEAT