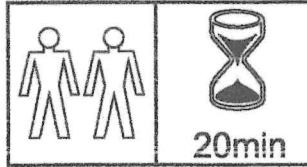


# ASTB6SET -TABLE



Thank you for choosing this furniture.

**BEFORE YOU START ASSEMBLY** please store the carton at room temperature for 48 hours or more so the contents can acclimatise.

**PLEASE RETAIN ALL PACKING UNTIL YOU HAVE COMPLETED ASSEMBLY.**

## CARING FOR YOUR FURNITURE

Please avoid placing your table close to radiators or other direct sources of heat.

Avoid leaving heavy items on your table as it may cause the top to move under the application of continuous weight.

The table is not suitable for use in humid environments or outdoors.

It is best to avoid exposing your furniture to continued bright sunlight as it can affect the colour. Any fluid spills should be removed as quickly as possible.

Always lift your table when moving as dragging may cause damage to your furniture or flooring.

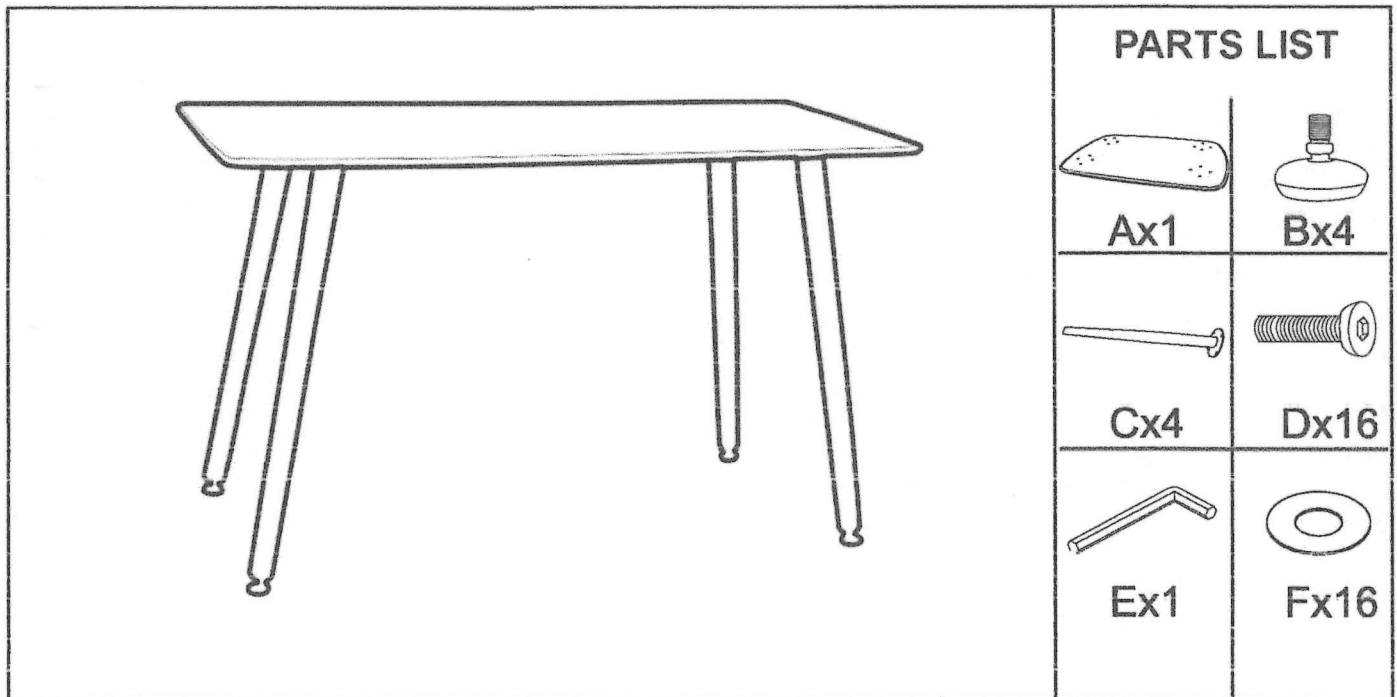
## AFTER CARE

Wipe the surfaces with a damp cloth and an occasional use of a normal household furniture polish. Please do not use detergents, bleach or chemicals on your furniture.

RETAIN THE ALLEN KEY PROVIDED TO TIGHTEN THE LEGS OCCASIONALLY. Do not stand or step on this table.

*Ensure your table sits evenly on your floor by adjusting the levellers whenever necessary.*

**BUILD YOUR FURNITURE ON A SOFT CLEAN COVER TO AVOID COMPONENTS BEING MARKED OR DAMAGED DURING ASSEMBLY.**



## BEFORE YOU START ASSEMBLY

Please check that you have all the correct parts and fittings as detailed in the Parts List above.

In the unlikely event that you require to order spare parts please refer to your delivery note for details of how to order on our Parts Website.

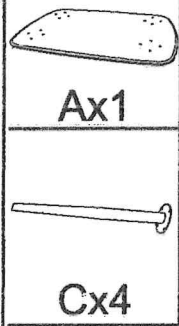
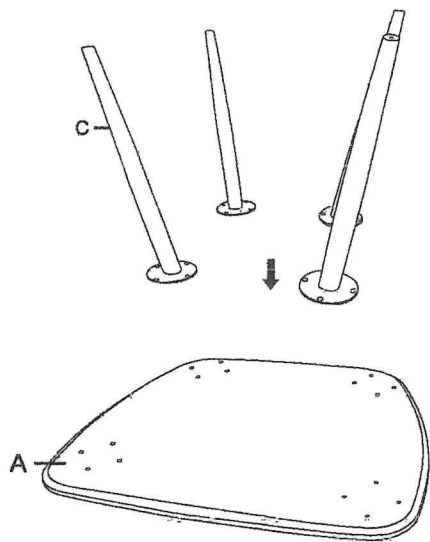
**[www.coreproducts.co.uk/parts](http://www.coreproducts.co.uk/parts)**

BATCH NUMBER

**BAZ7379**

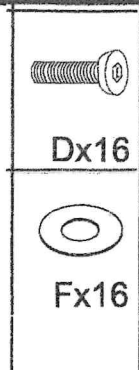
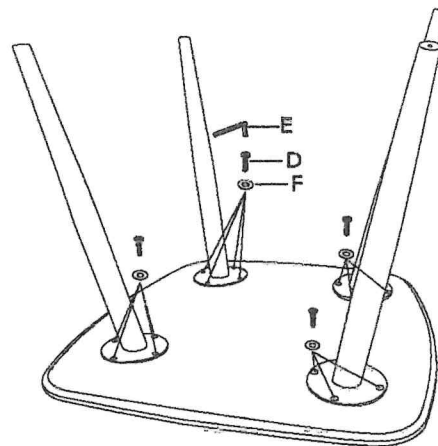
**PLEASE RETAIN THIS INSTRUCTION LEAFLET AND ALLEN KEY FOR FUTURE USE.**

1



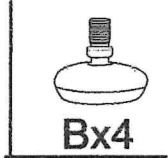
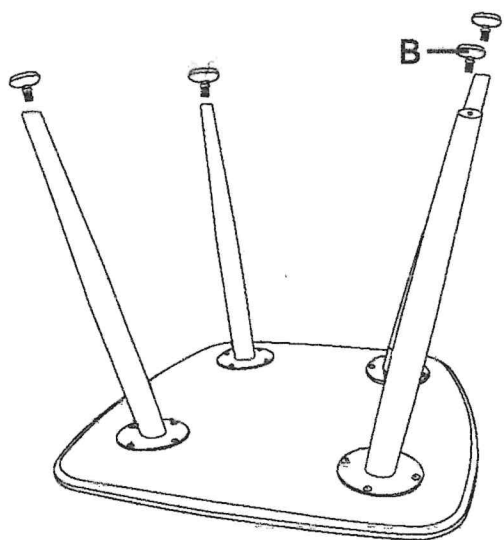
PLACE YOUR TABLE TOP ONTO A SMOOTH CLEAN SURFACE.

2



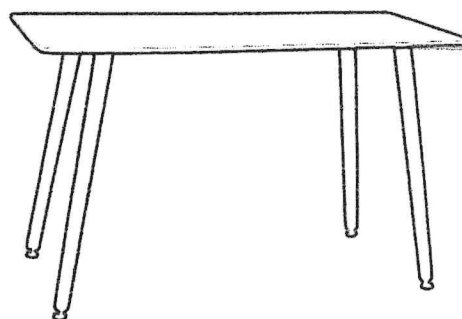
Insert bolts D into the corresponding holes in the underside of the table top, do not fully tighten. Once all the bolts are inserted then fully tighten each bolt.

3



Insert adjustable feet into ends of legs.

4



Place your table into position and adjust the leveller by turning until your table sits evenly on your floor.

# ASTBSET7-CHAIR



Thank you for choosing this furniture.

**BEFORE YOU START ASSEMBLY** please store the carton at room temperature for 48 hours or more so the contents can acclimatise.

**PLEASE RETAIN ALL PACKING UNTIL YOU HAVE COMPLETED ASSEMBLY.**

## CARING FOR YOUR FURNITURE

Please avoid placing your chair close to radiators or other direct sources of heat.

This chair is not suitable for use in humid environments or outdoors.

It is best to avoid exposing your furniture to continued bright sunlight as it can affect the colour.

Any fluid spills should be removed as quickly as possible.

Always lift your chair when moving as dragging may cause damage to your furniture or flooring.

This chair is designed for domestic use only with a maximum loading of 110kg.

## AFTER CARE

Wipe the surfaces with a damp cloth. Please do not use detergents, bleach or chemicals on your furniture.

RETAIN THE ALLEN KEY PROVIDED TO TIGHTEN THE LEGS OCCASIONALLY. Do not stand or step on this chair

**BUILD YOUR FURNITURE ON A SOFT CLEAN COVER TO AVOID COMPONENTS BEING MARKED OR DAMAGED DURING ASSEMBLY.**

## PARTS LIST

ARROWS TO FACE THE FRONT OF SEAT

Loose fix all bolts and once all aligned tighten fully.

A		X1
B		X4
C		X4

In the unlikely event that you require to order spare parts please refer to your delivery note for details of how to order on our Parts Website.

[www.coreproducts.co.uk/parts](http://www.coreproducts.co.uk/parts)

BATCH NUMBER

**BAZ7379**

**PLEASE RETAIN THIS INSTRUCTION LEAFLET AND ALLEN KEY FOR FUTURE USE.**