

HN533



Thank you for choosing this furniture.

BEFORE YOU START ASSEMBLY please store the carton at room temperature for 48 hours or more so the contents can acclimatise.

PLEASE RETAIN ALL PACKING UNTIL YOU HAVE COMPLETED ASSEMBLY.

Information about your furniture.

This furniture has been carefully crafted from manufactured wood board. Due to the unique characteristics of natural materials the base colour of the boards can vary which may slightly affect the shade of the finished product.

Caring for your furniture.

Extreme temperature can cause slight movements in the manufactured wood boards so please avoid placing your furniture close to radiators or other direct sources of heat. Humidity should also be avoided.

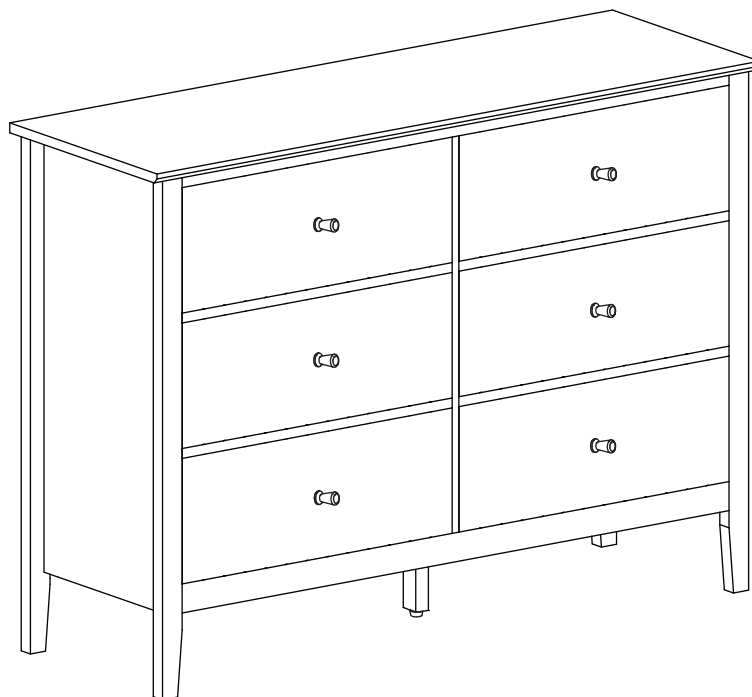
Please avoid exposing your furniture to continued bright sunlight as it can affect the colour.

Any fluid spills should be removed as quickly as possible.

Always lift your furniture when moving as dragging may cause damage to your furniture or flooring.

After care.

Wipe the surfaces with a dry cloth and an occasional use of a normal household furniture polish. For the models with drawers, we also recommend you use household spray polish occasionally on drawer grooves and runners as this will aid use. Please do not use detergents or chemicals on your furniture.



BEFORE YOU START ASSEMBLY

Please check that you have all the correct parts and fittings as detailed in the Parts List .

In the unlikely event that you require to order spare parts please refer to your delivery note for details of how to order on our Parts Website.

BATCH NUMBER COZI7500

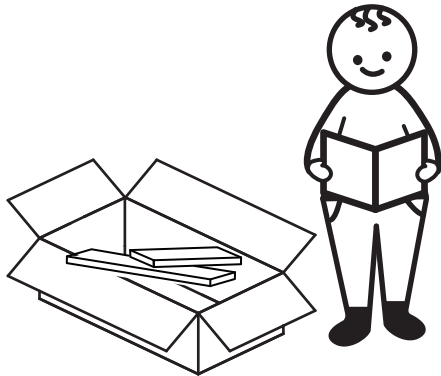
⚠ WARNING: ENSURE THAT WALL STRAP IS ATTACHED TO AVOID SERIOUS INJURY

To avoid any serious injury, this product has been supplied with a wall strap to prevent toppling. We strongly recommend that this product is permanently fixed to the wall or other suitable surface.

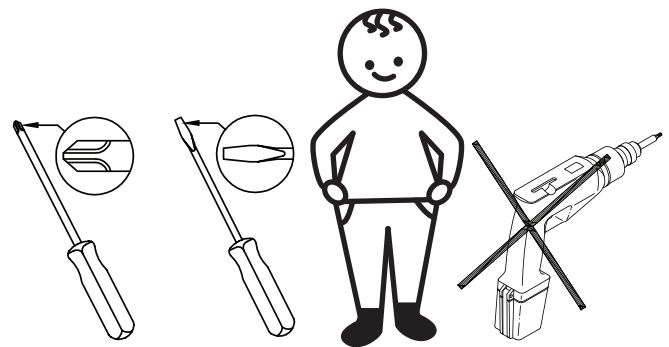
PLEASE RETAIN THIS INSTRUCTION LEAFLET FOR FUTURE REFERENCE.

12/25 MANUFACTURED IN P.R.C FOR CORE PRODUCTS, PERTH, UK PH1 3DZ

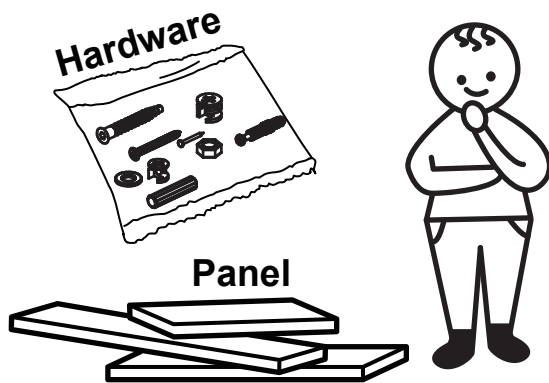
Assembly Checklist



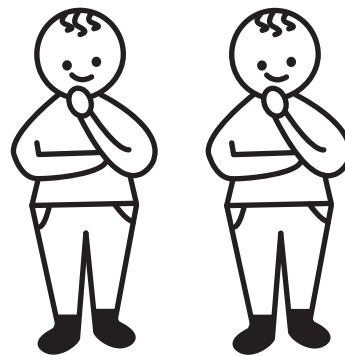
Read through the instructions carefully before you begin.



Make sure you have all the required tools. Never use power tools unless instructed.



Identify and lay out all of the components before you begin assembly.



Two people are required to assemble.

Useful Information

! Never use power tools unless specifically instructed. They can damage your components or hardware if used incorrectly.

! The most common mistakes made during assembly are using the wrong hardware or getting components back to front.

! Always use a soft surface (such as carpet or cardboard) when assembling your product to avoid scratching or damaging the surface of the product.

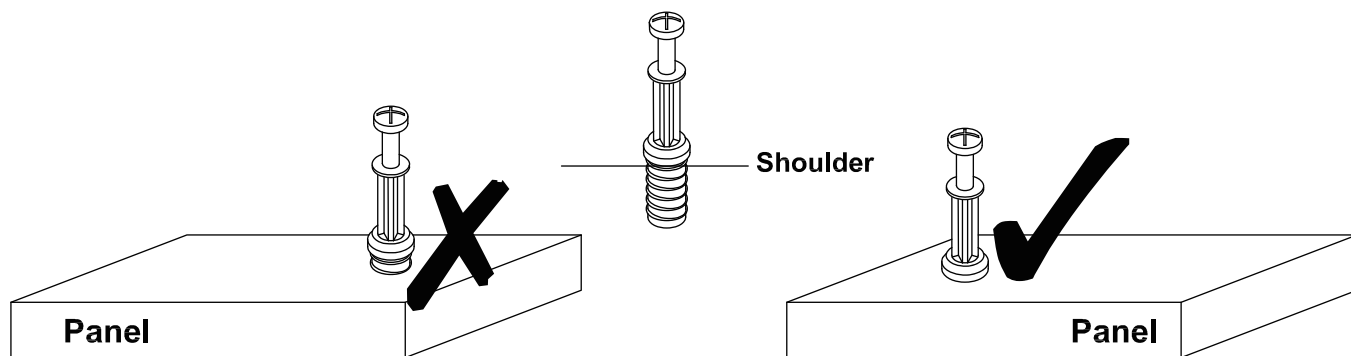
! Bulky items should be assembled in the room they will be used in as they may not fit through a door once assembled.

! Never use any glue until you are certain that the parts belong together.

! Periodically check and re-tighten all fasteners. Check the product care label or website for product care instructions.

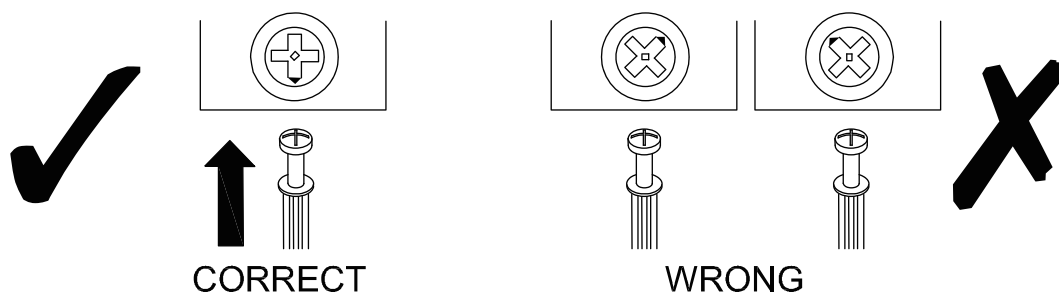
! If you are having any difficulties assembling your product, missing any hardware or components please email us.

QUICKFIT



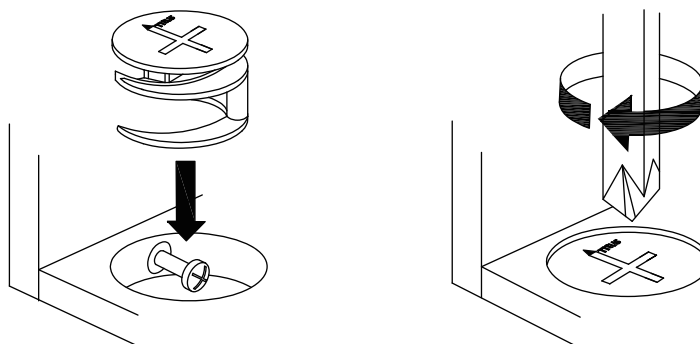
Tighten quickfit until shoulder is flush with panel. Do not overtighten or undertighten.

CAM LOCK



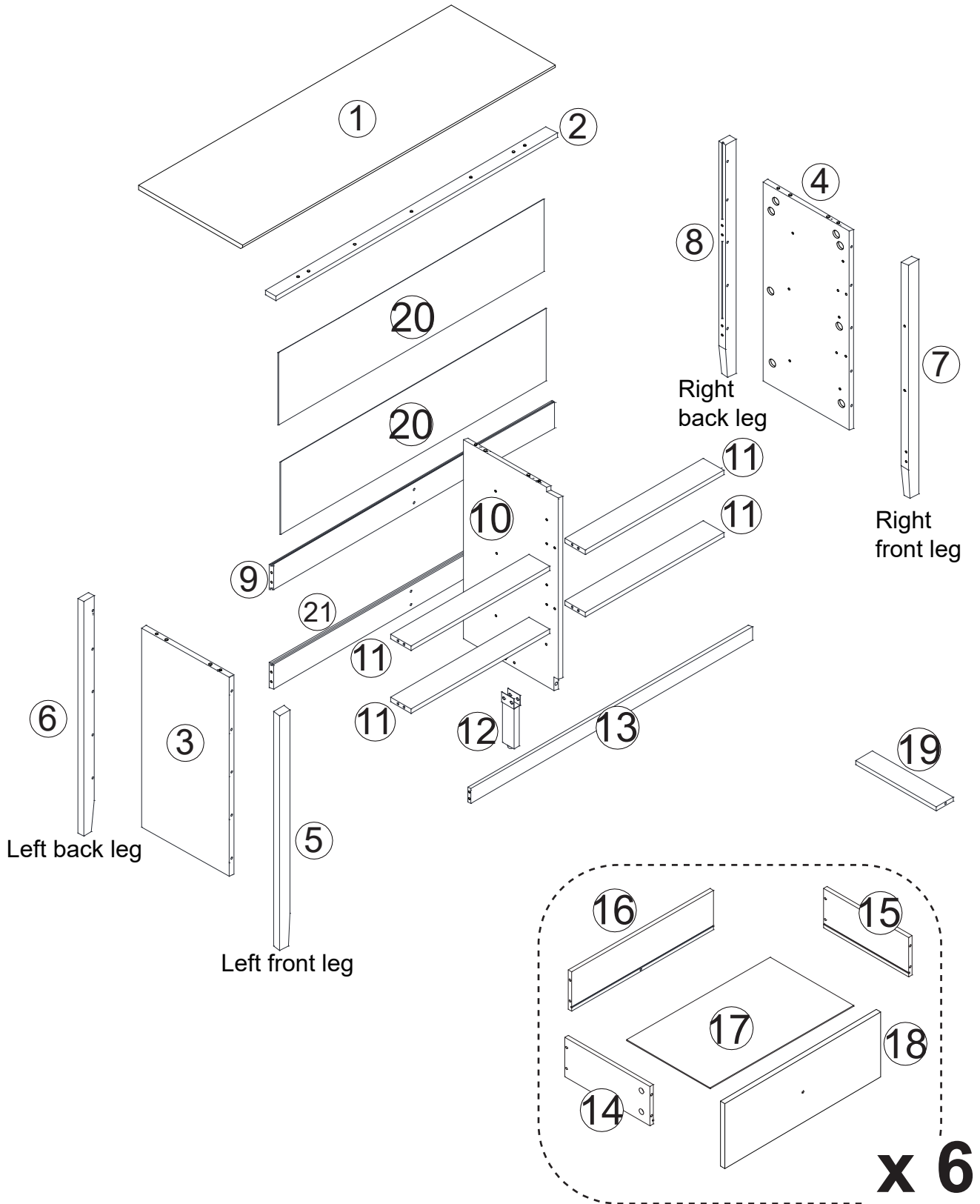
When fitting cam lock, ensure starting position is correct before you insert connecting quickfit.

Quickfit head should be in the centre of the cam lock when the two panels are joined. Cam lock should be inserted before quickfit.



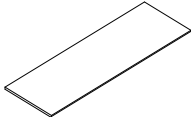
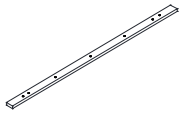

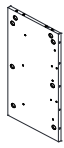
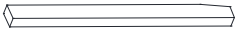



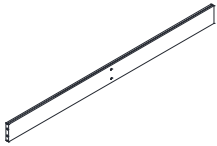
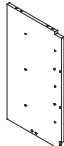
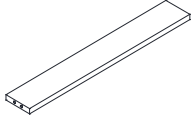

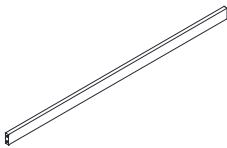
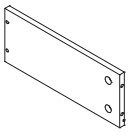
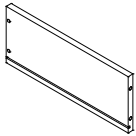
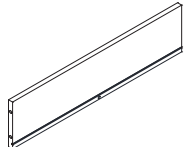
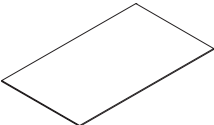
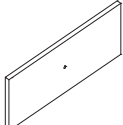

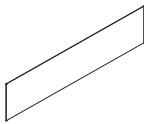
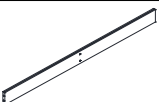
Turn cam lock clockwise to tighten.

HN533 COMPONENT LIST






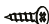
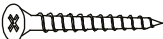
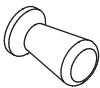

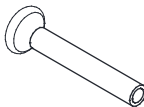

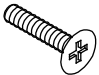

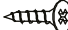
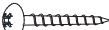
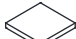


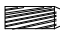

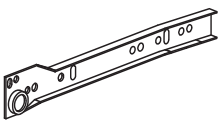
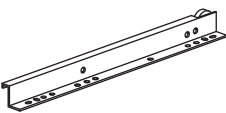
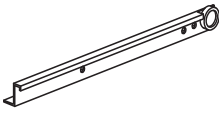
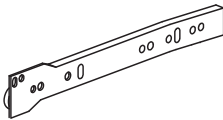
HN533 Part list

When unpacking, please be careful not to discard any parts with the packaging.
Before continuing, please make sure you have the following parts:

NO	Description	Qty	Sketch	NO	Description	Qty	Sketch
①	Top panel	1		②	Cross bar	1	
③	Left side panel	1		④	Right side panel	1	
⑤	Left front leg	1		⑥	Left back leg	1	
⑦	Right front leg	1		⑧	Right back leg	1	
⑨	Double groove back panel Stretcher	1		⑩	Partition Panel	1	
⑪	Stretcher	1		⑫	Adjustable Metal leg	1	
⑬	Stretcher	1		⑭	Drawer left side panel	6	
⑮	Drawer right side panel	6		⑯	Drawer back panel	6	
⑰	Drawer bottom panel	6		⑱	Drawer front panel	6	
⑲	Drawer bottom Stretcher	6		⑳	Back panel	2	
㉑	Single groove back panel Stretcher	1					

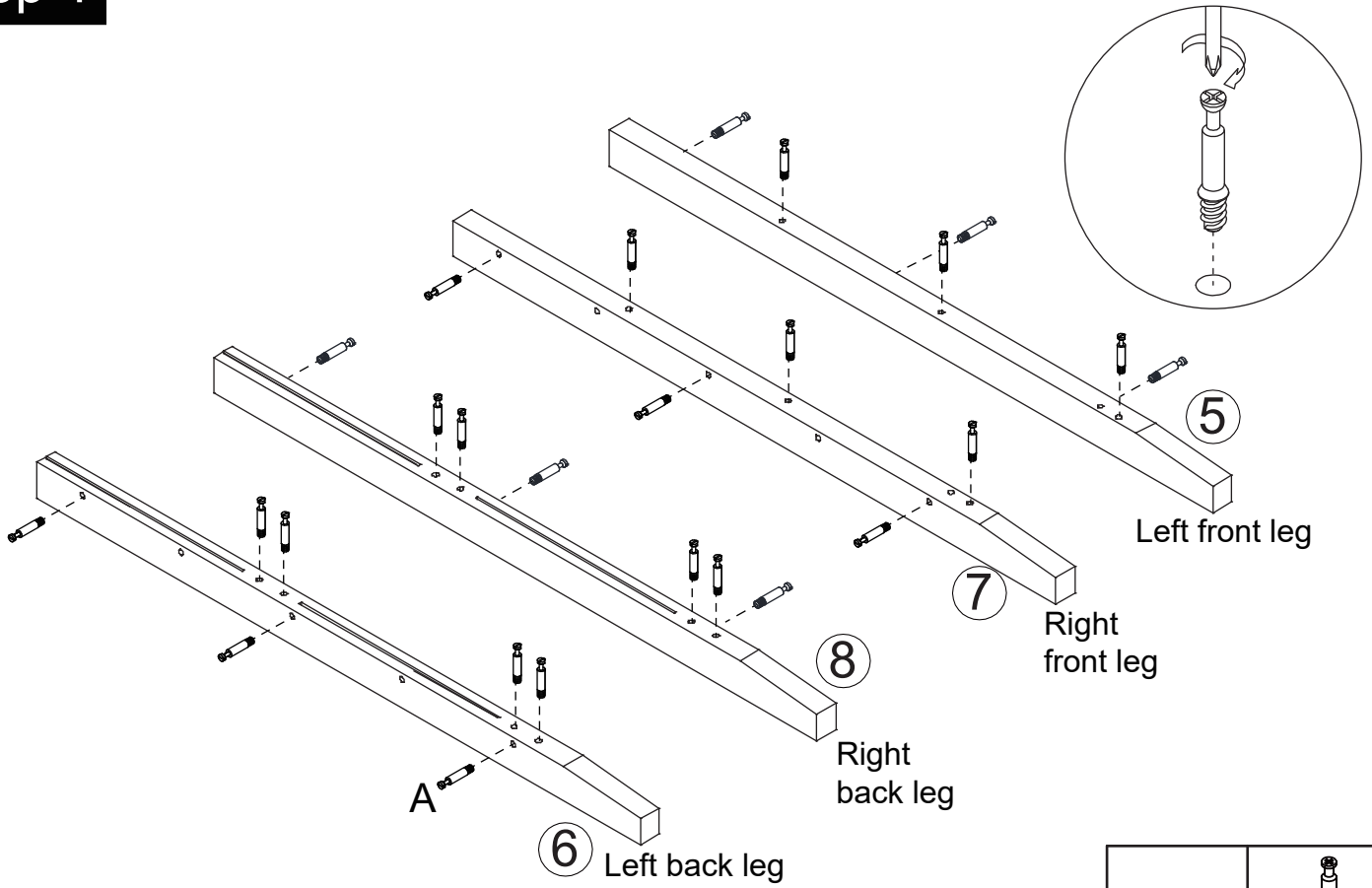
HN533 Hardware list

When unpacking, please be careful not to discard any parts with the packaging. Before continuing, please make sure you have all of the following hardware:

 Cam Bolt Ax75	 Cam Lock Bx75	 Larger Wooden Dowel Cx16	 Screw Dx57	 Screw Ex36
 Handle Fx6	 Screw Gx6	 Screw Hx2	 Washer Ix6	 Screw Jx2
 Buckle Kx8	 Screw Lx8	 Screw Qx4	 Foot Pads Rx4	 Anti-tip Bracket Sx2
 Screw Tx2	 Smaller Wooden Dowel Ux3	 Anti tip Accessory Vx2		
 Left cabinet side drawer runner CLx6	 Left drawer side drawer runner DLx6	 Right drawer side drawer runner DRx6	 Right cabinet side drawer runner CRx6	

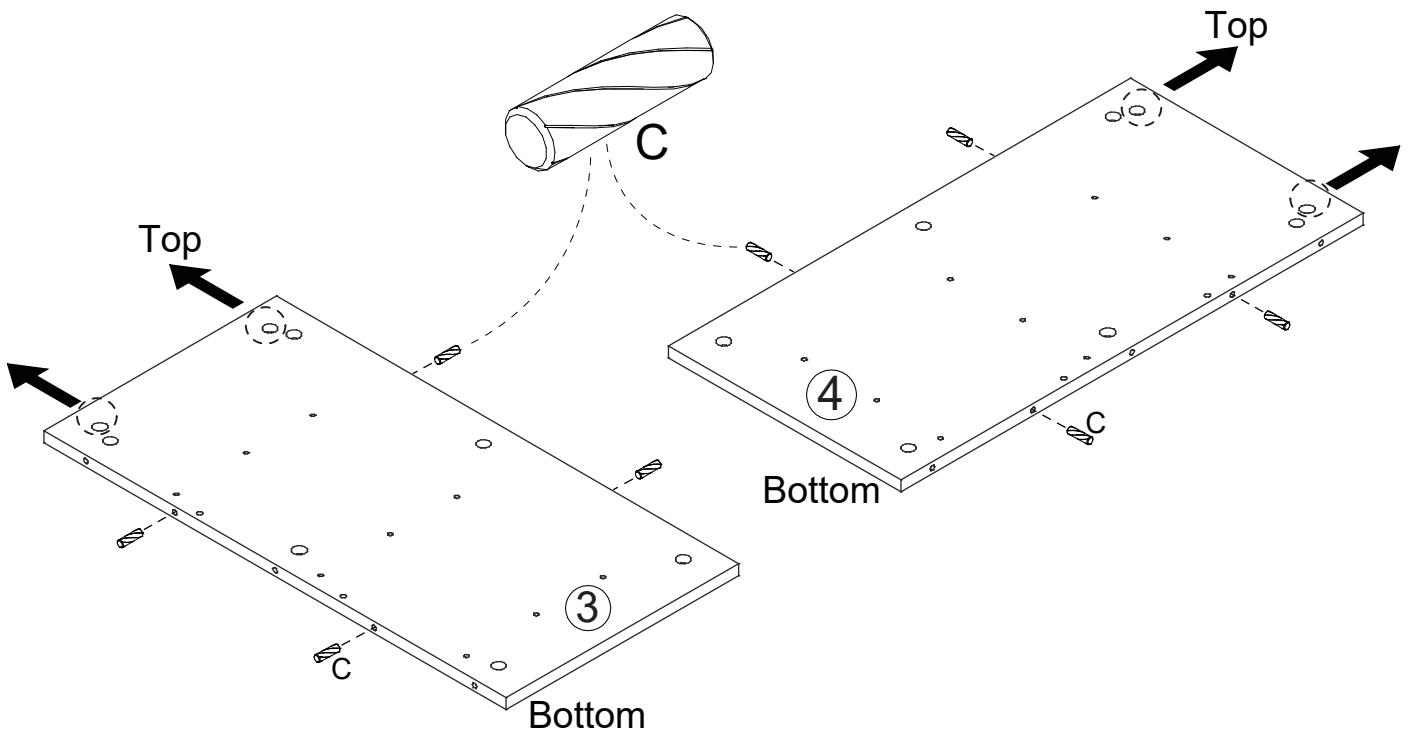
(The hardware quantities listed above are required, For proper assembly some extra hardware may have been included.)


Step 1



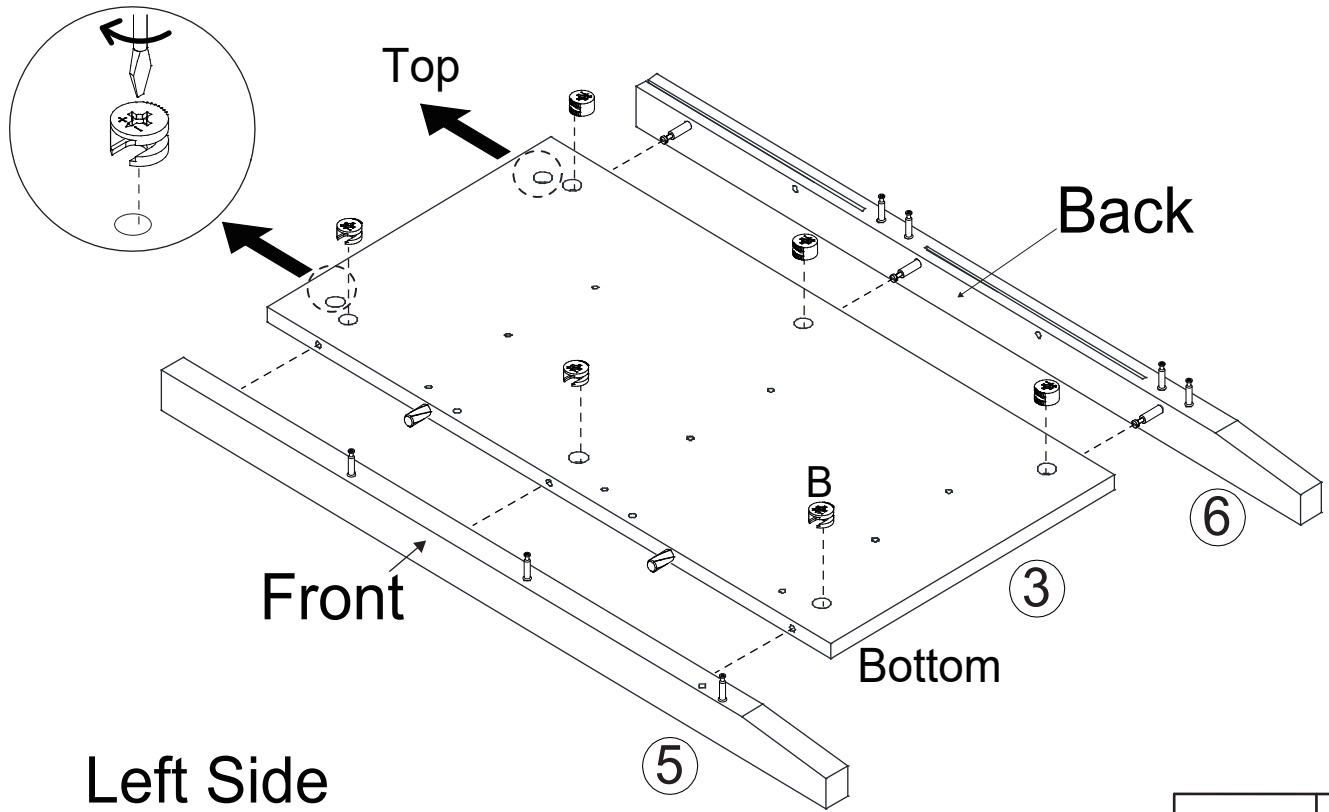
26xA	
------	--------------------------------------------------------------------------------------

Step 2



8xC	
-----	---------------------------------------------------------------------------------------

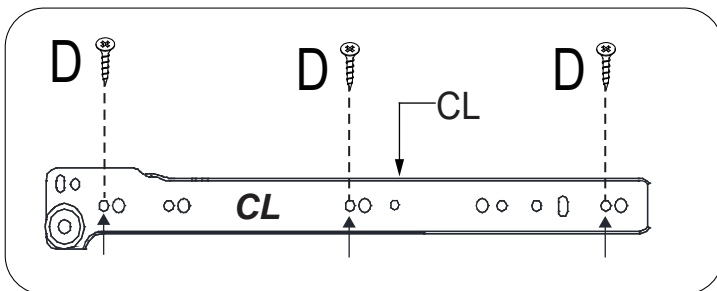
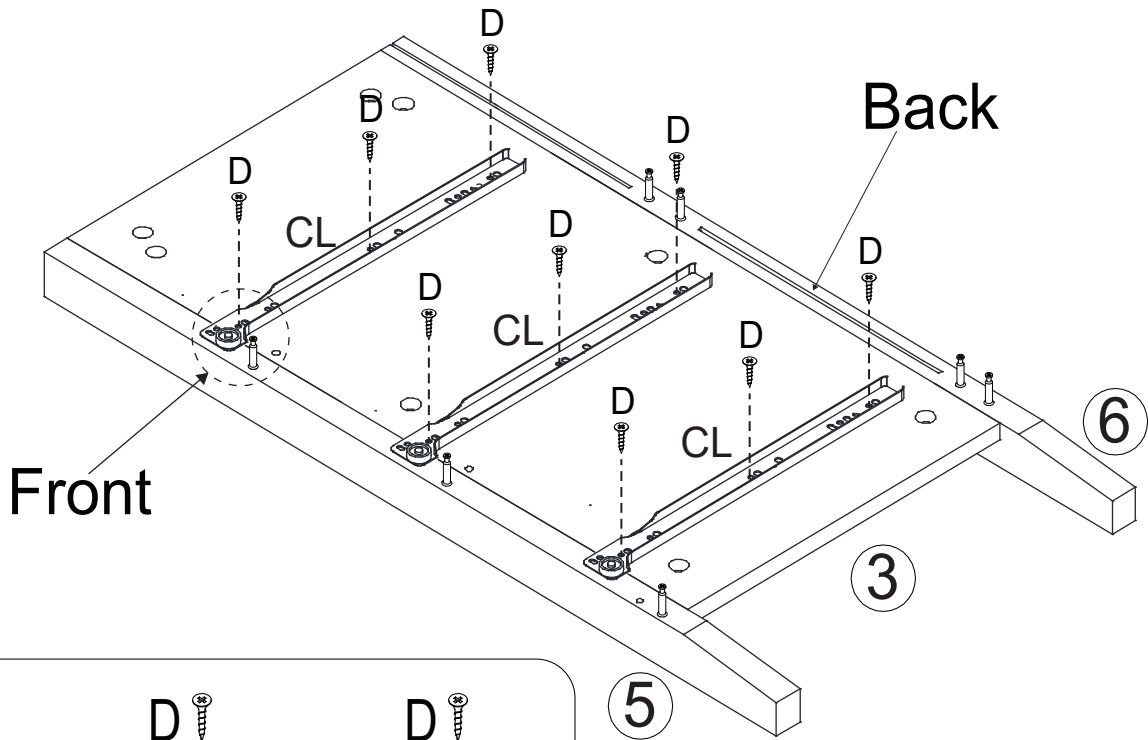
Step 3



6xB



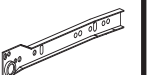
Step 4



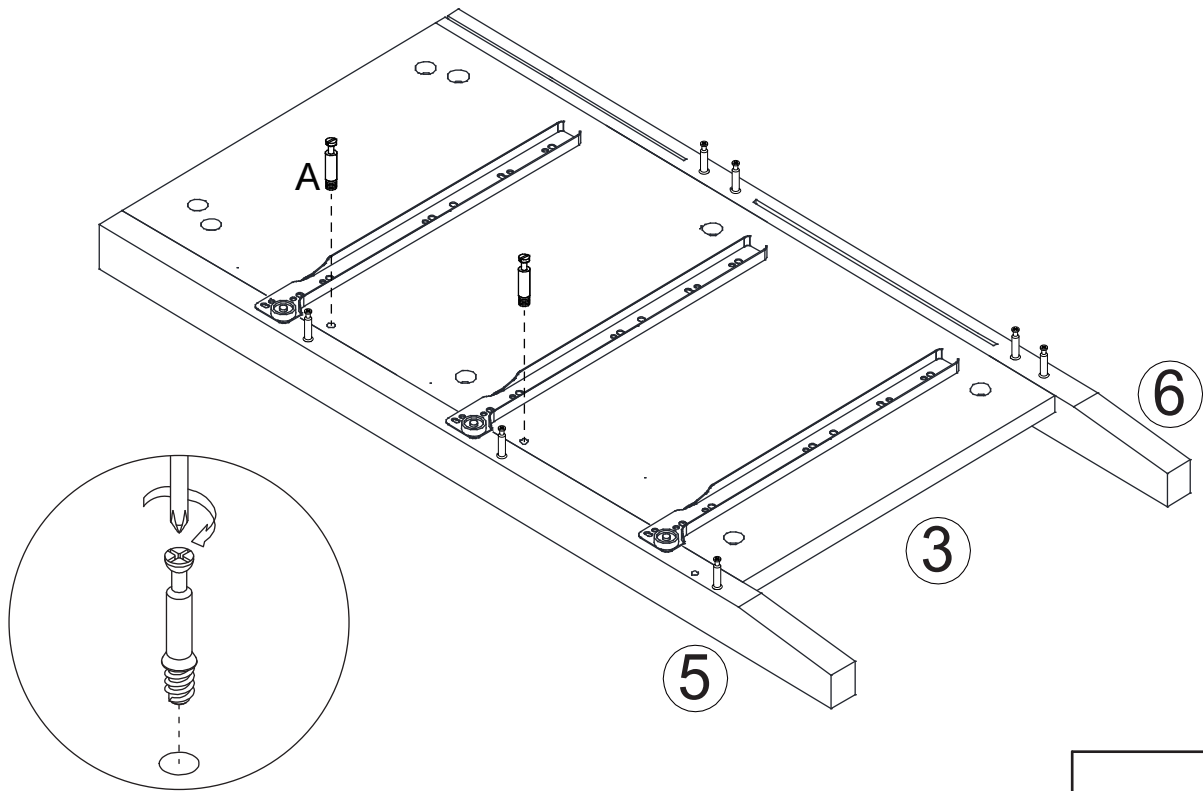
9xD



3xCL

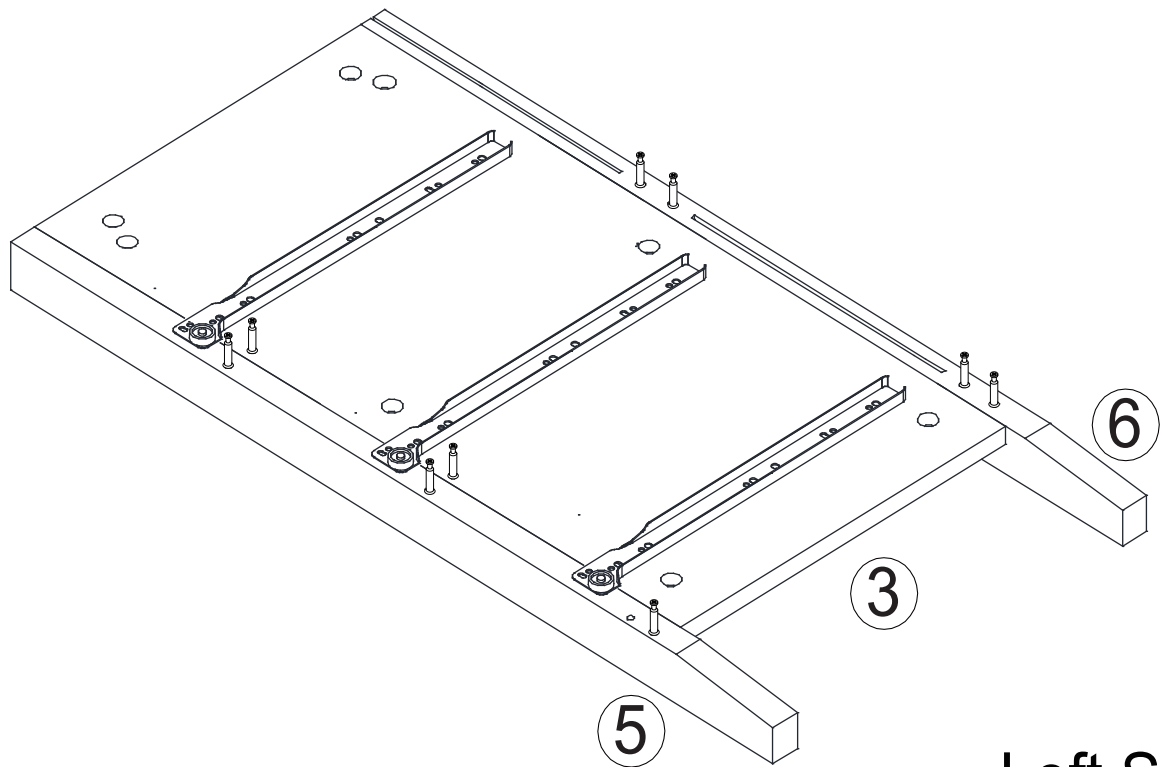


Step 5



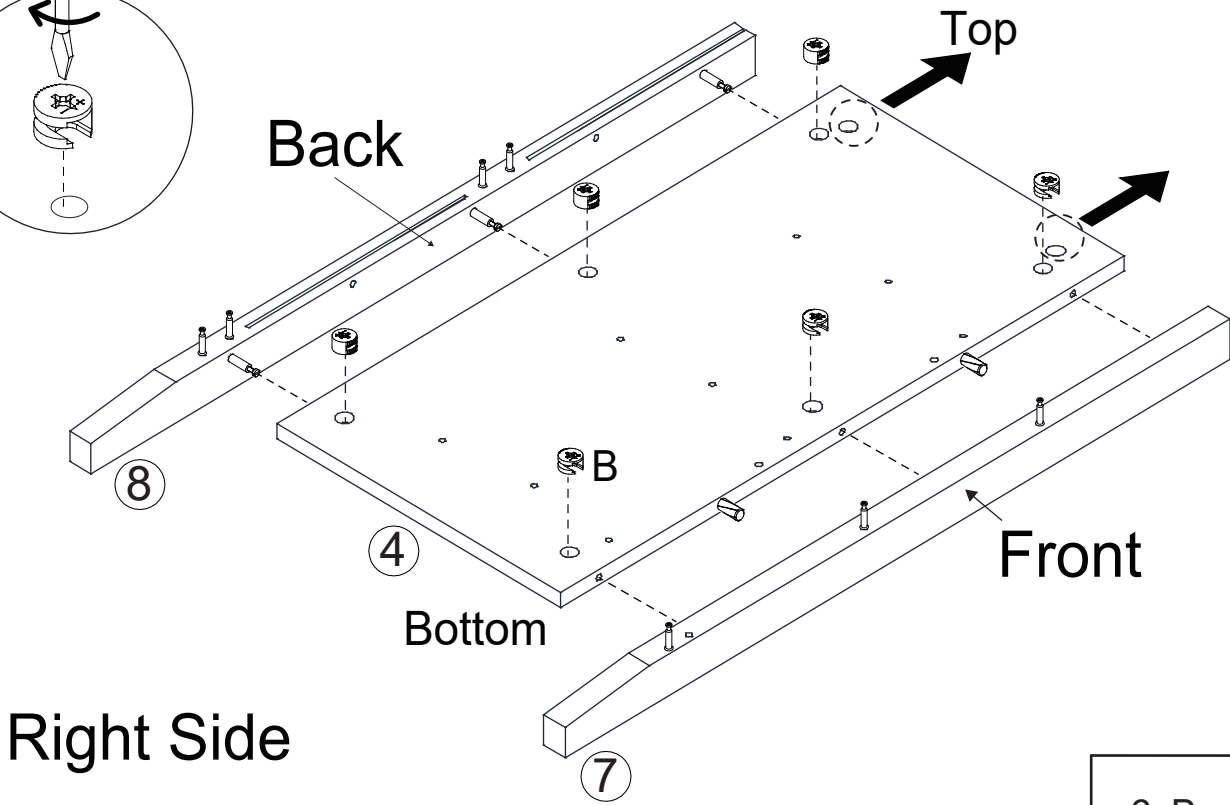
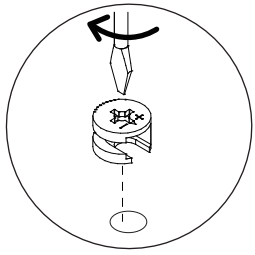
2xA	
-----	--------------------------------------------------------------------------------------

Finish



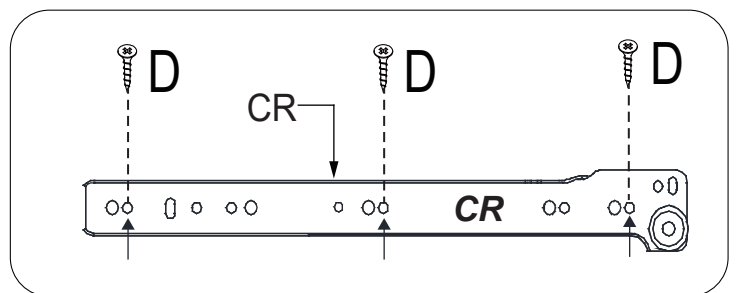
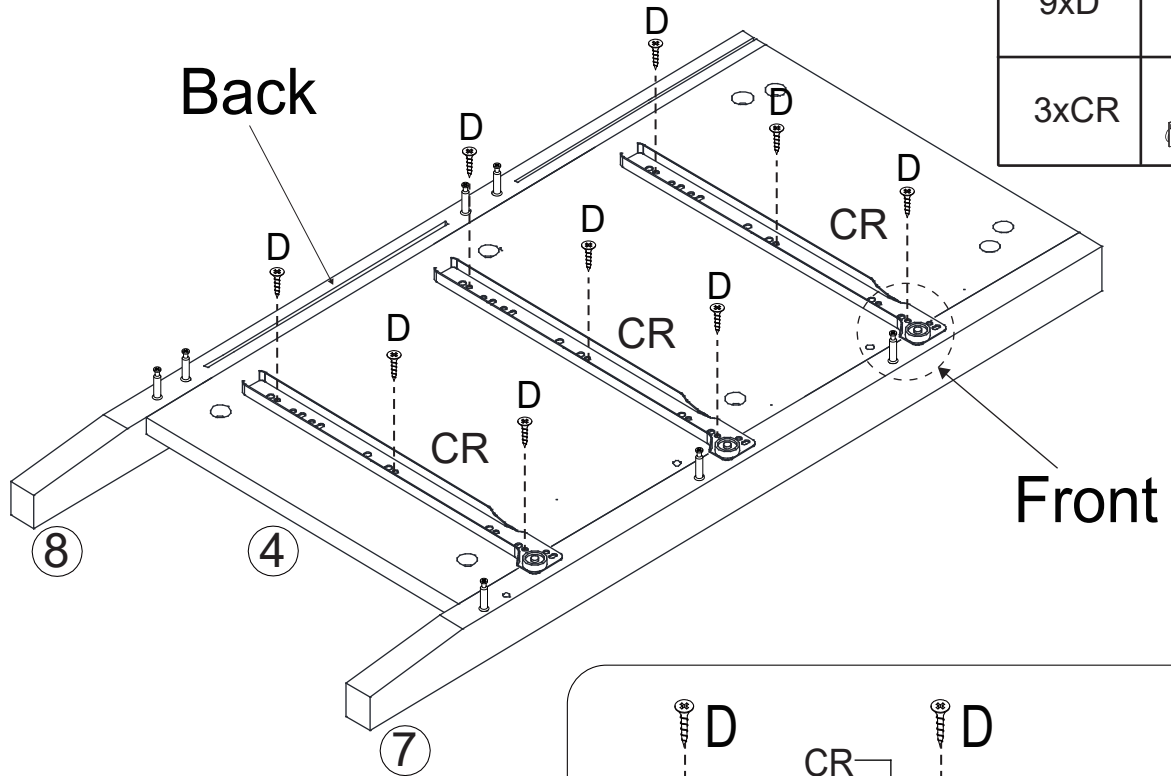
Left Side

Step 6

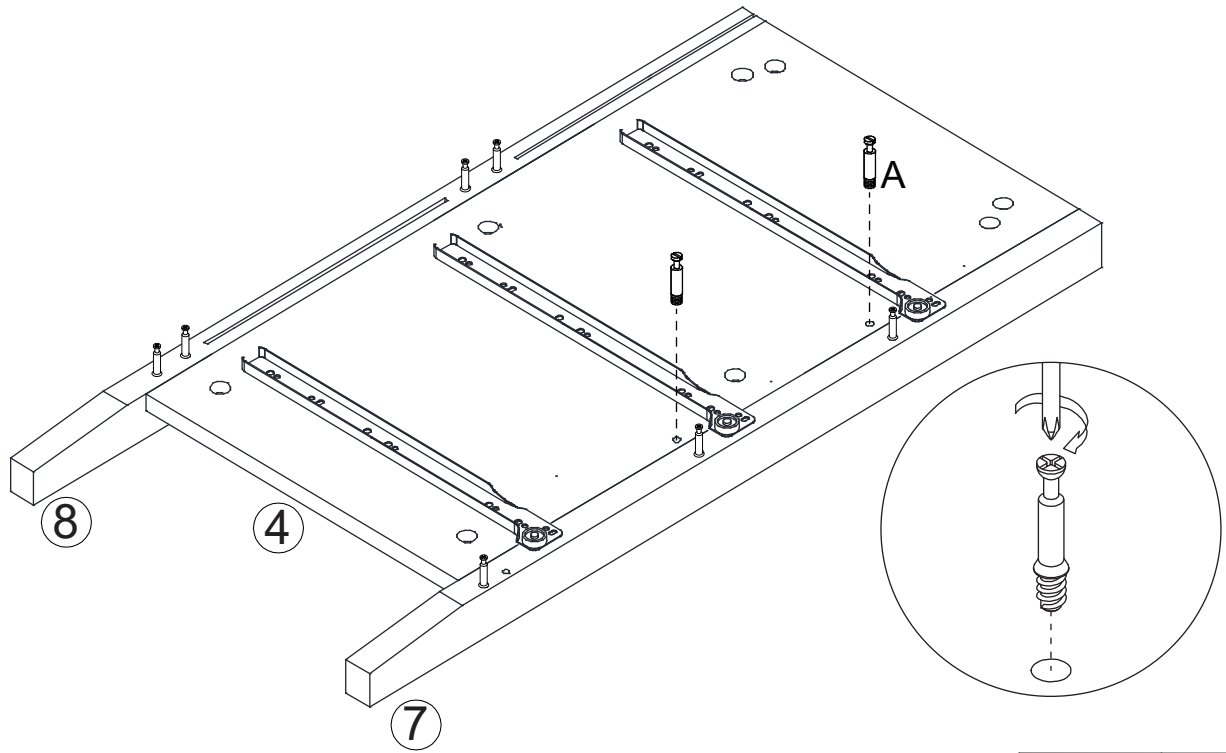


6xB	
9xD	
3xCR	

Step 7

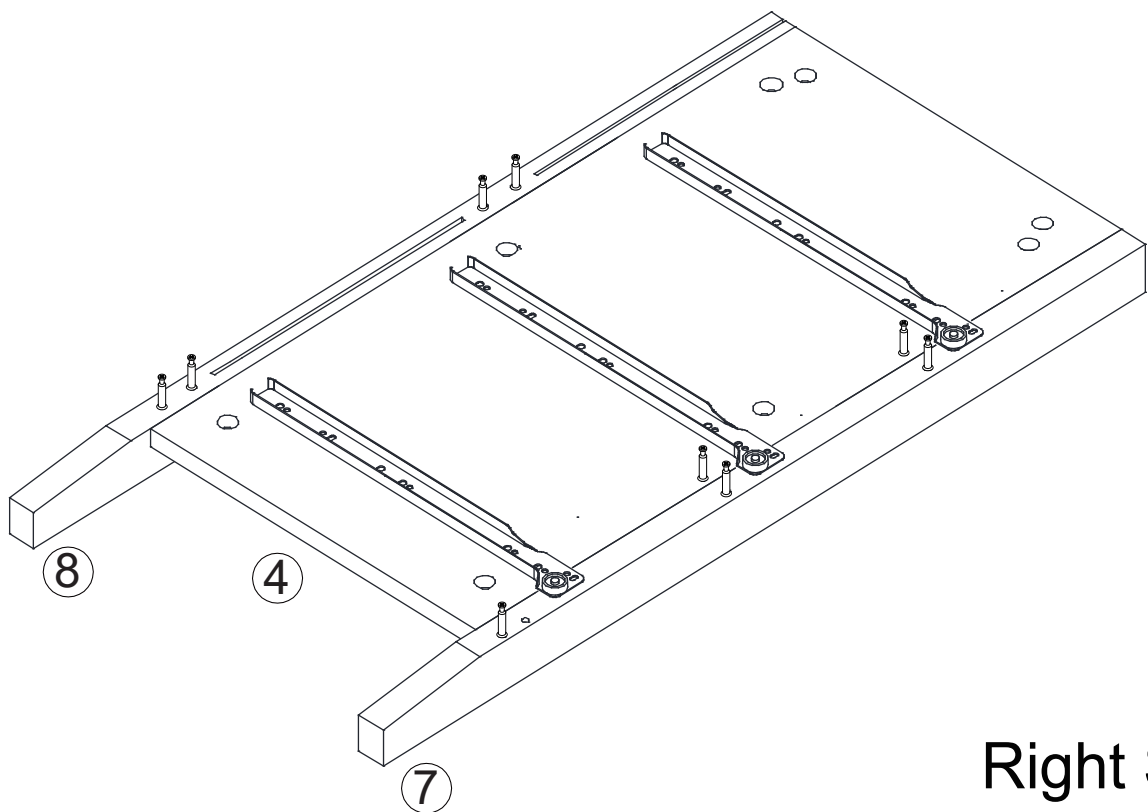


Step 8



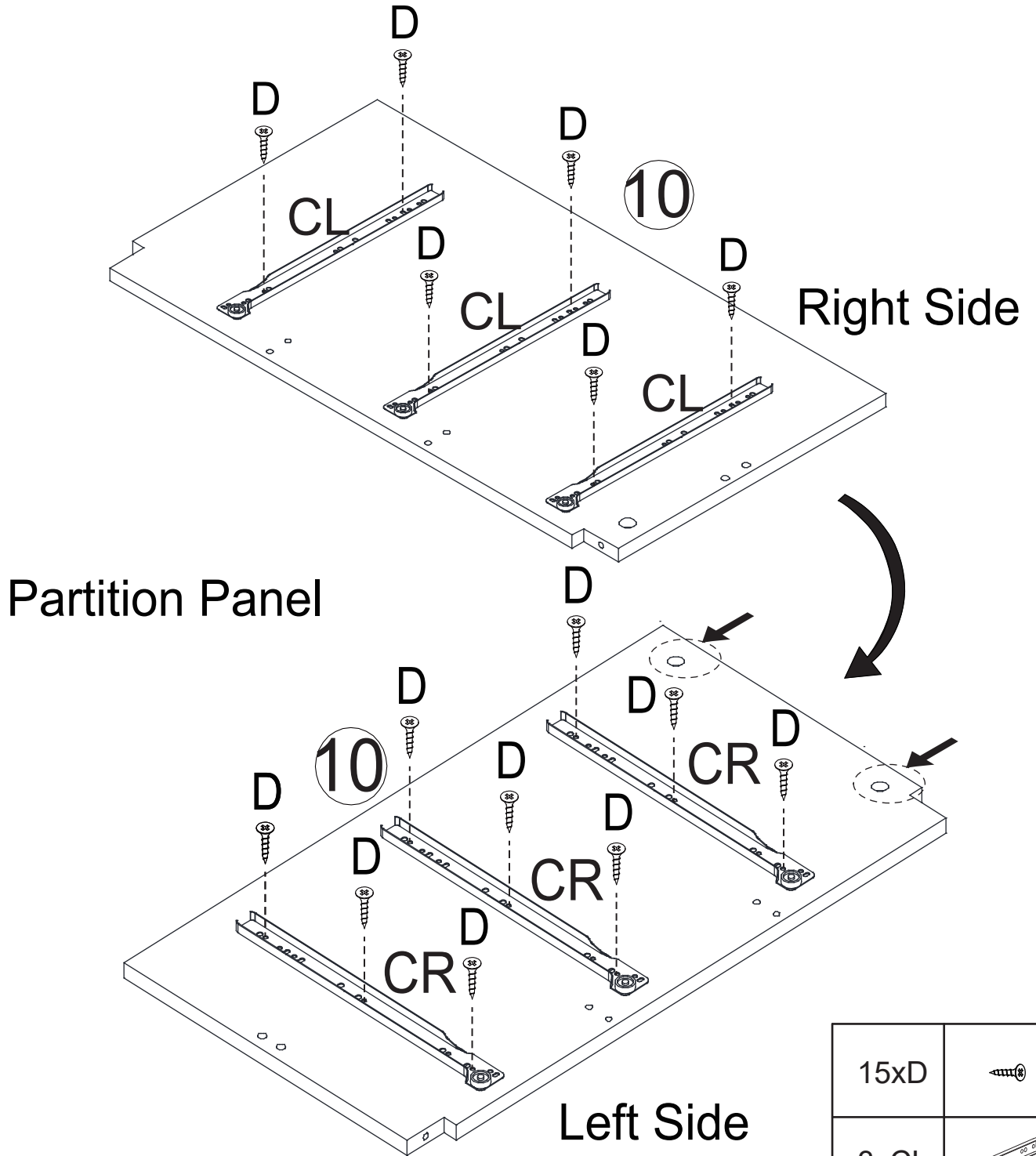
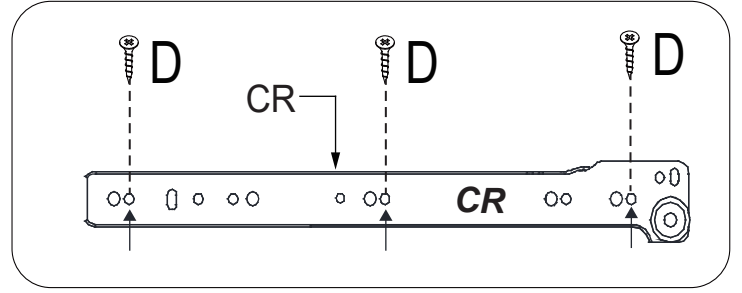
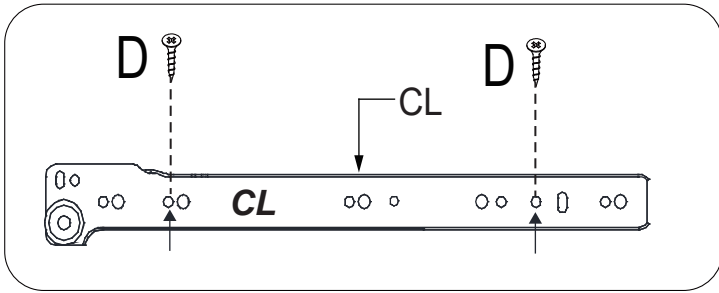
2xA	
-----	--

Finish



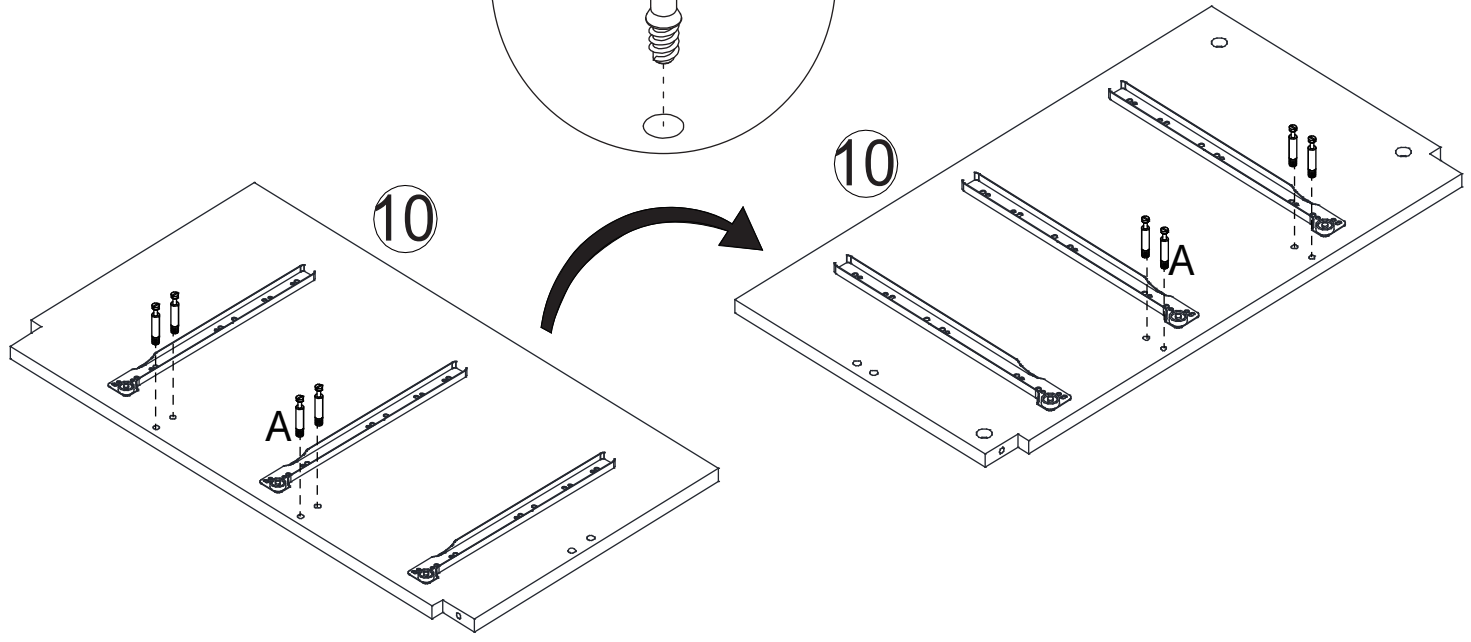
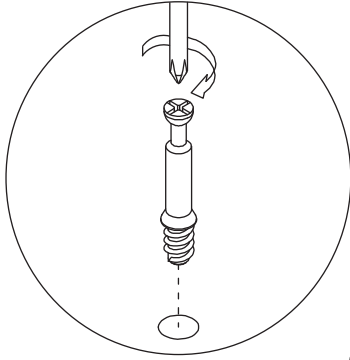
Right Side

Step 9



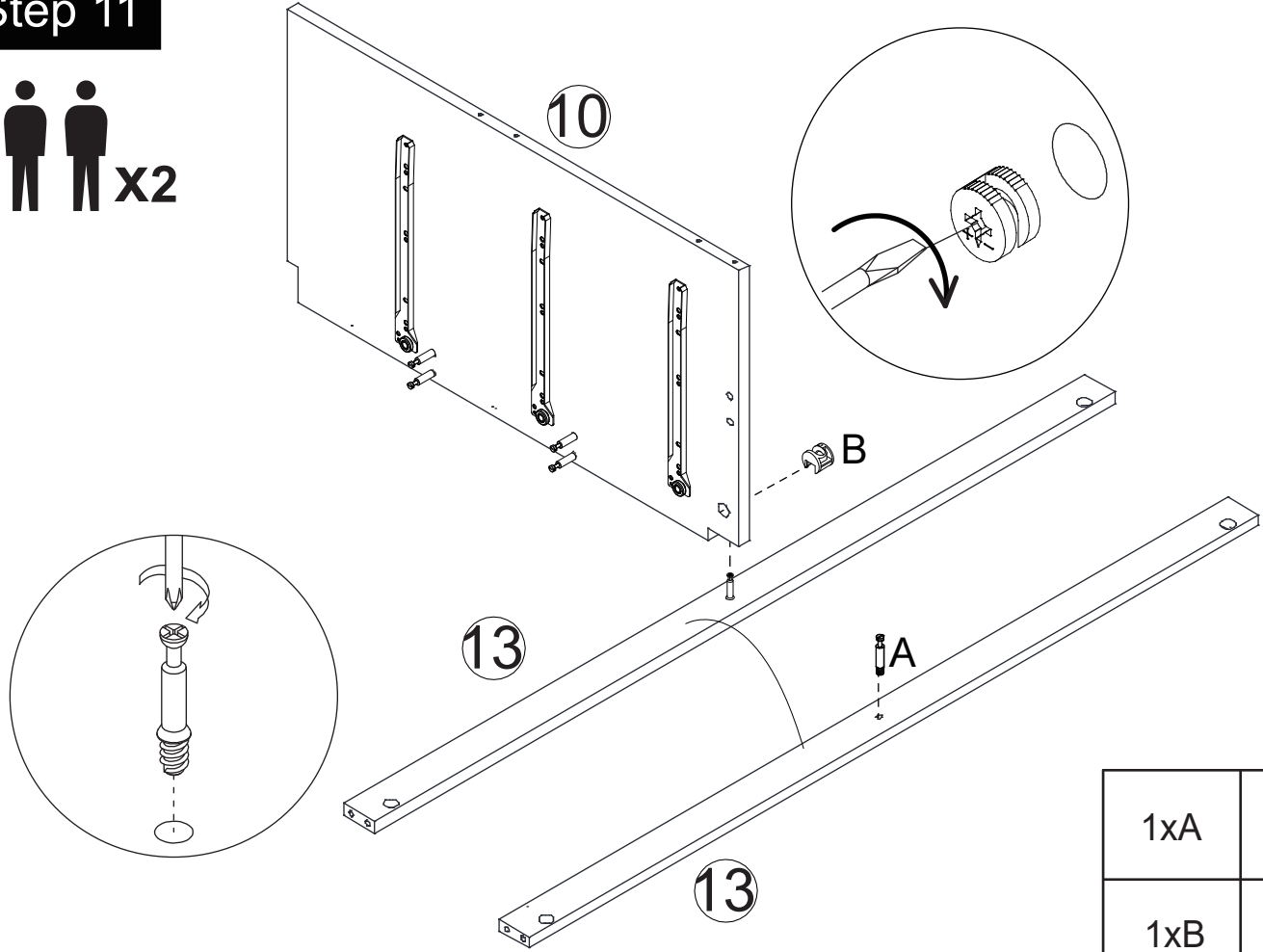
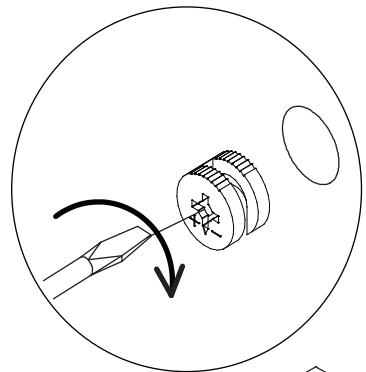
15xD	
3xCL	
3xCR	



Step 10



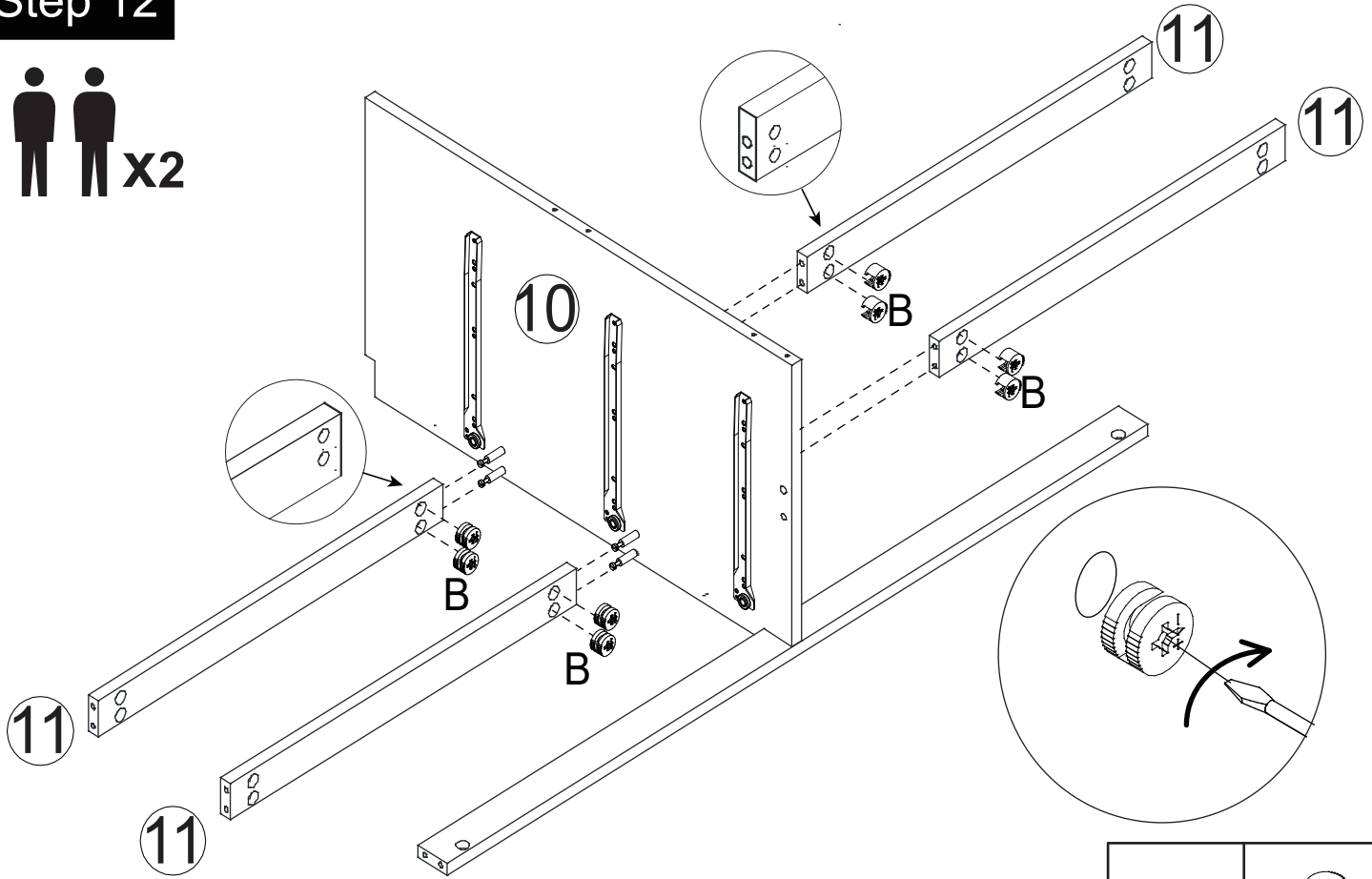
8xA	
-----	--------------------------------------------------------------------------------------

Step 11



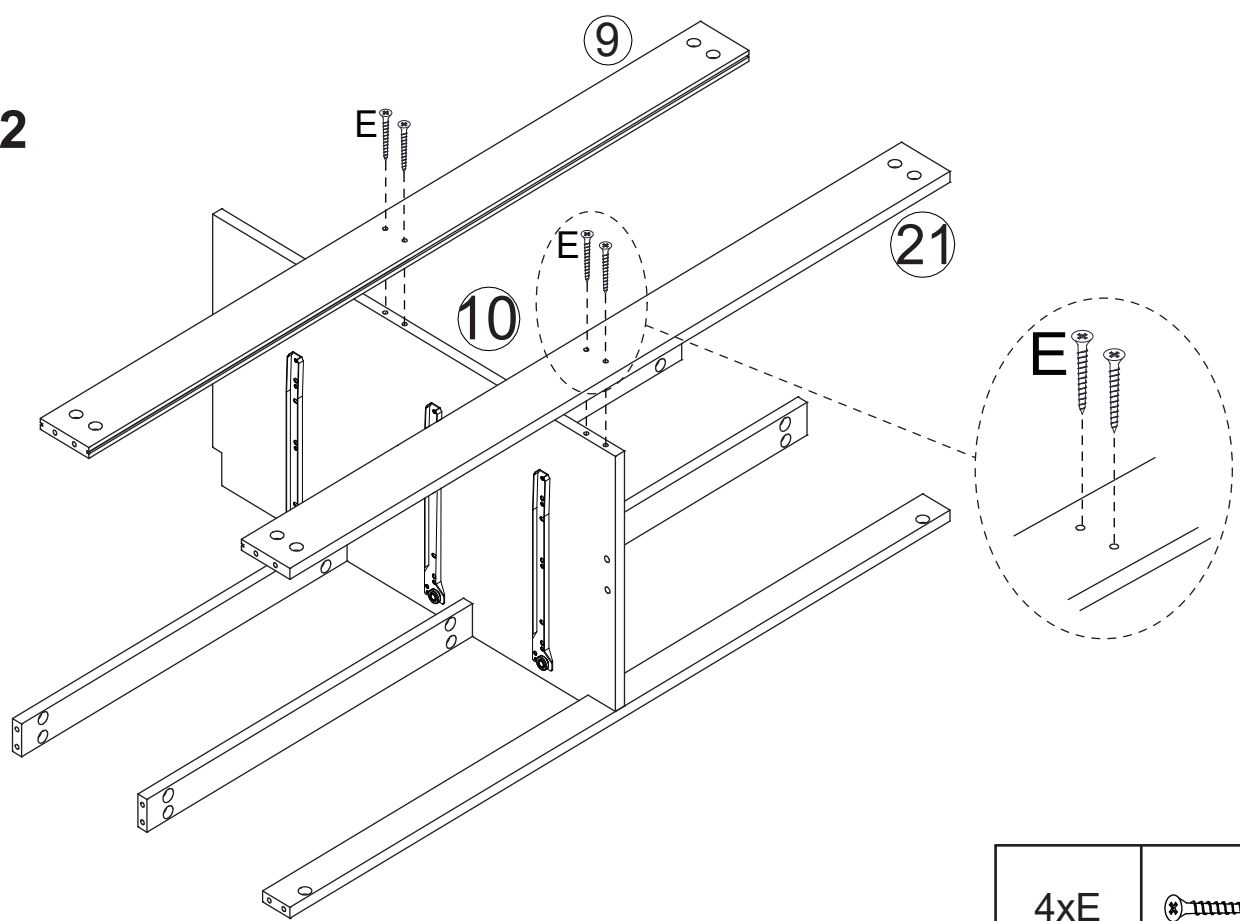
1xA	
1xB	

Step 12



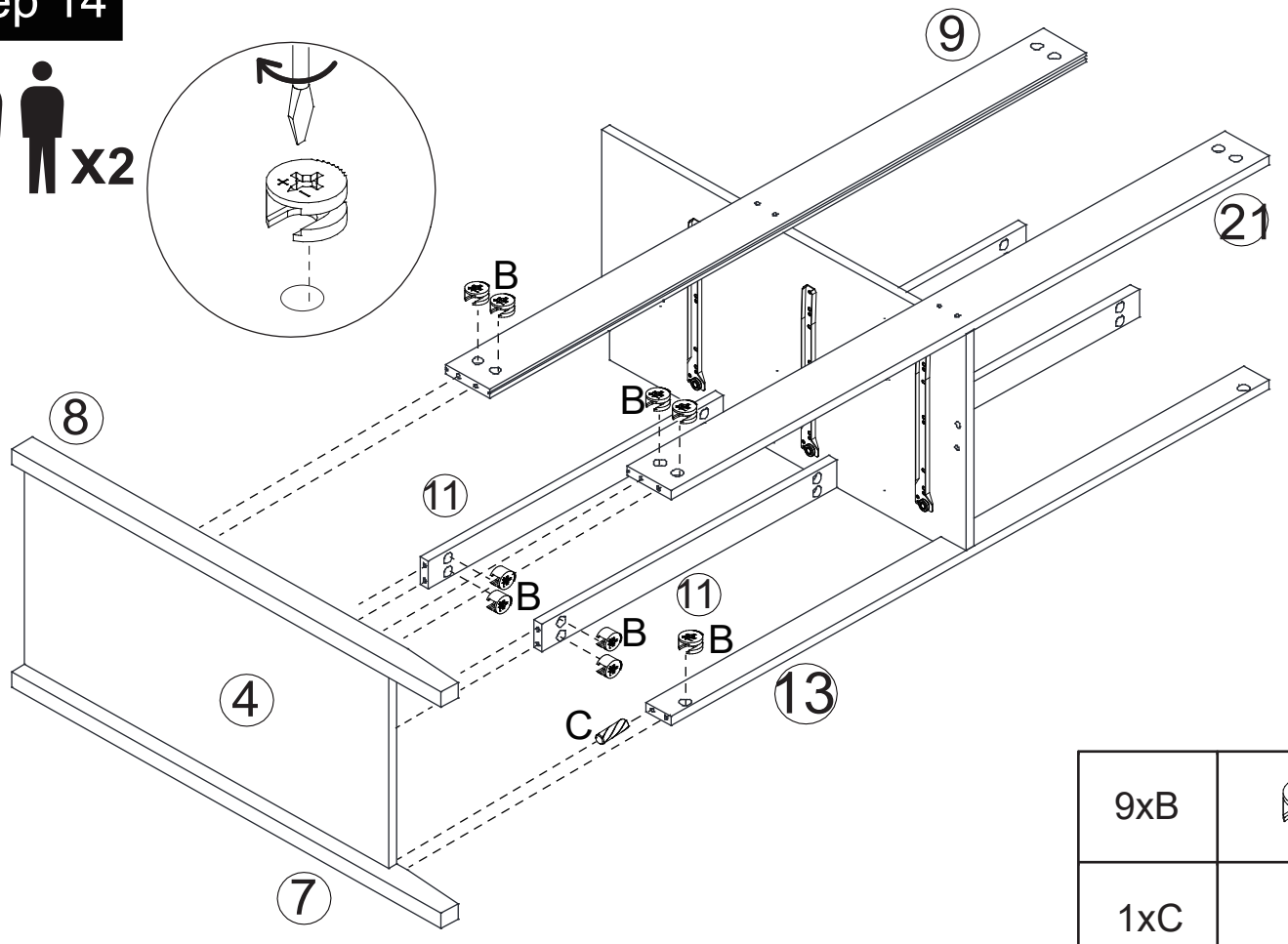
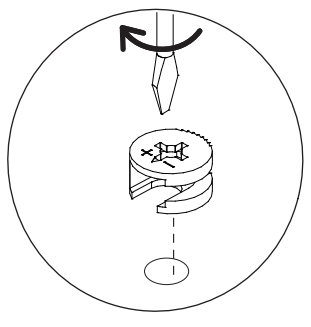
8xB	
-----	--

Step 13



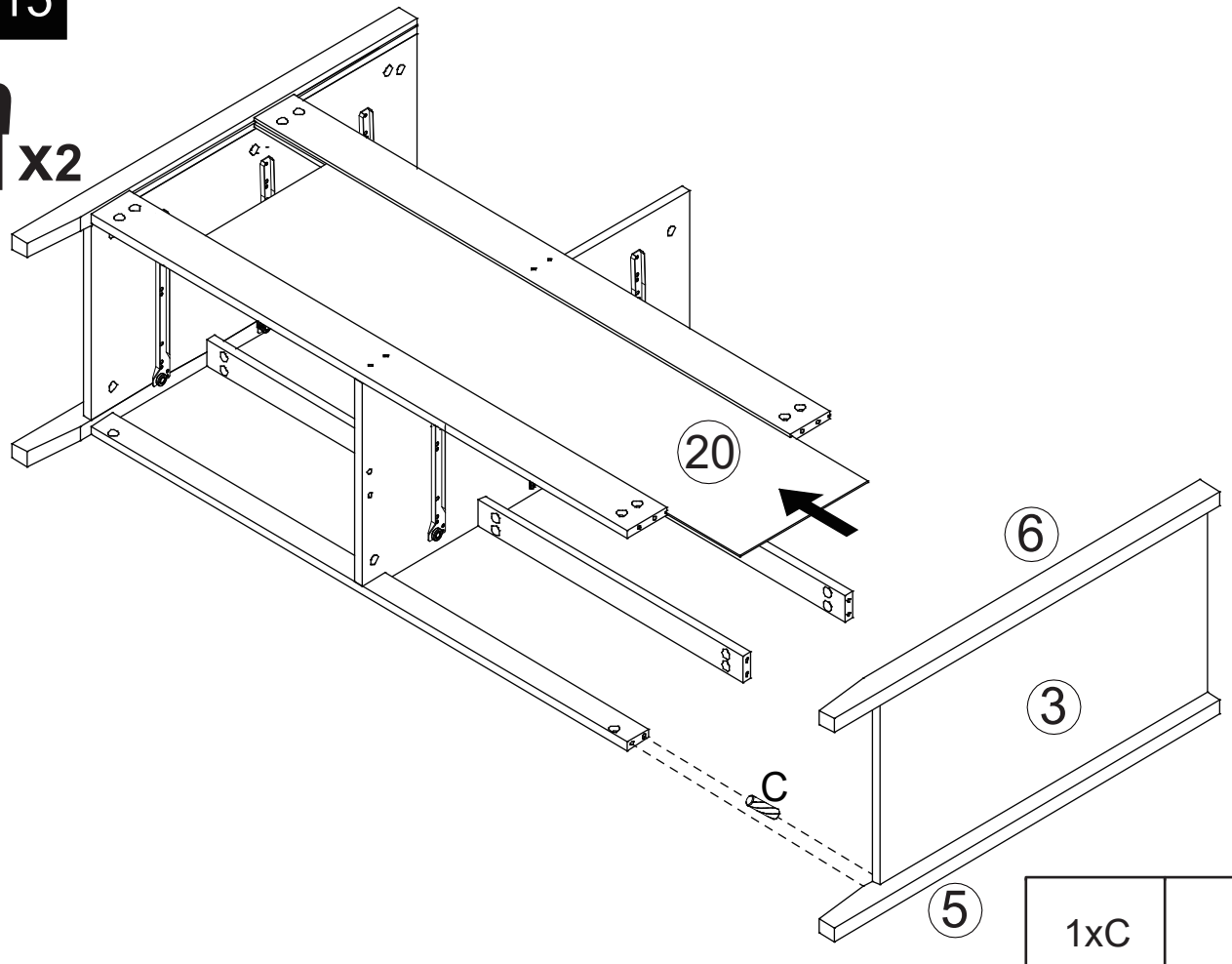
4xE	
-----	--

Step 14



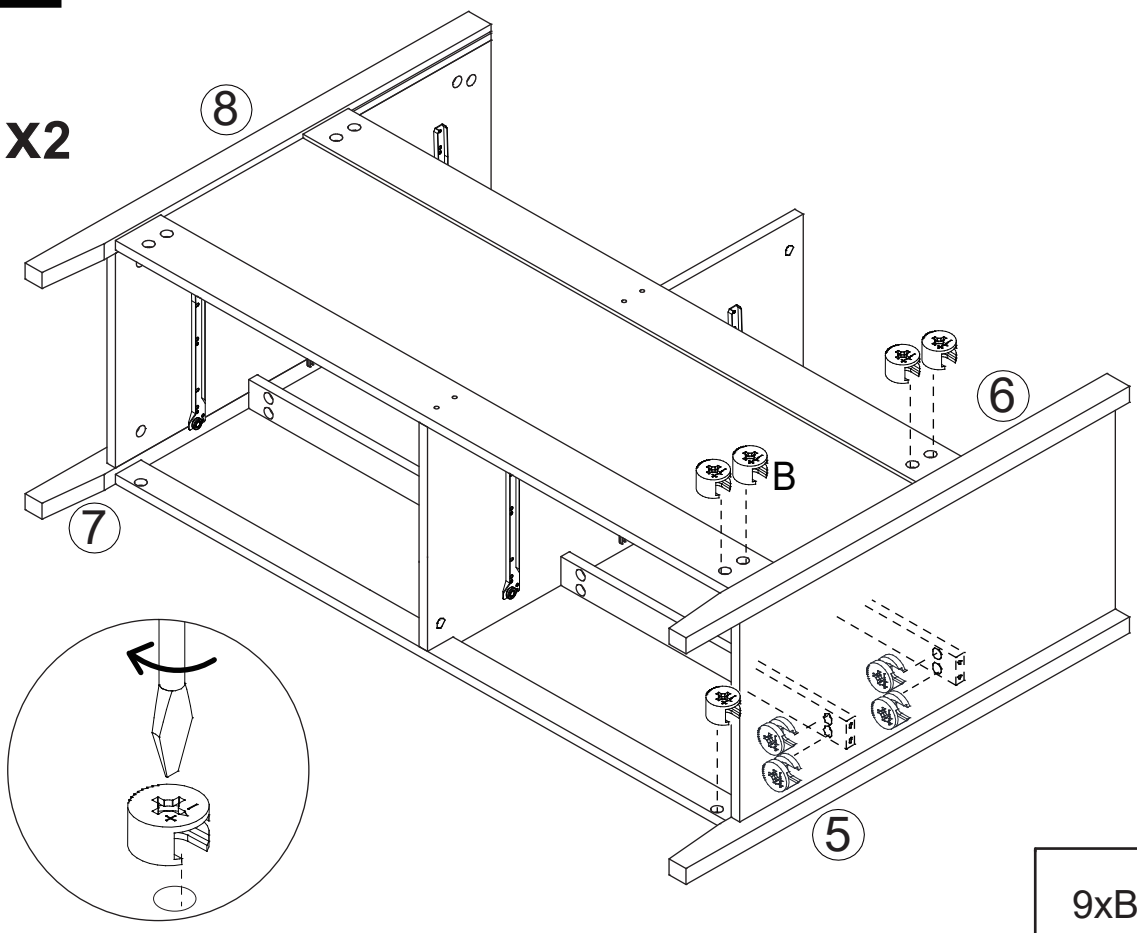
9xB	
1xC	

Step 15



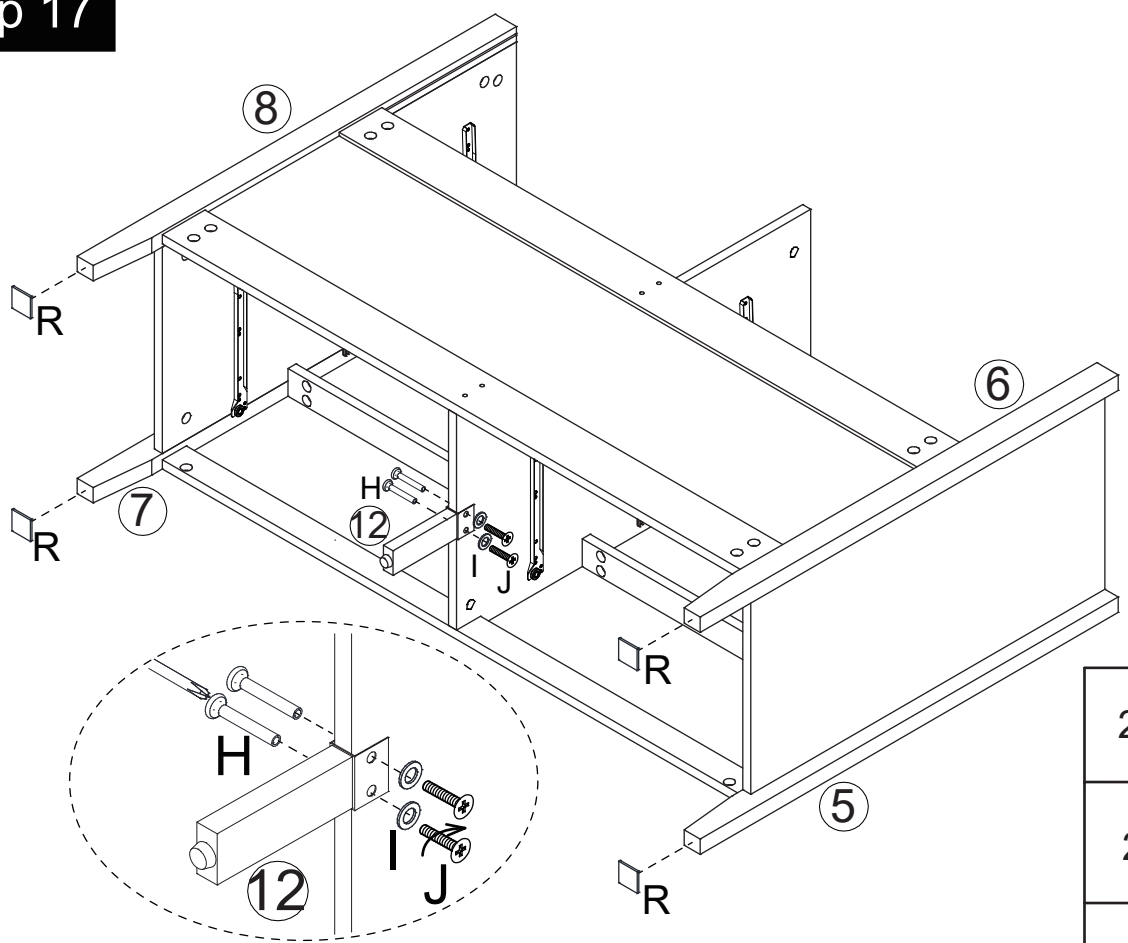
1xC	
-----	--

Step 16



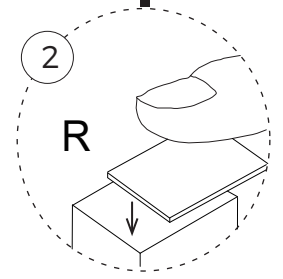
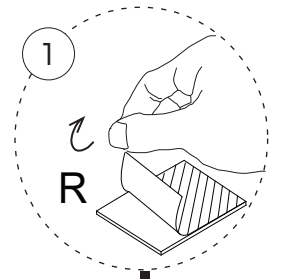
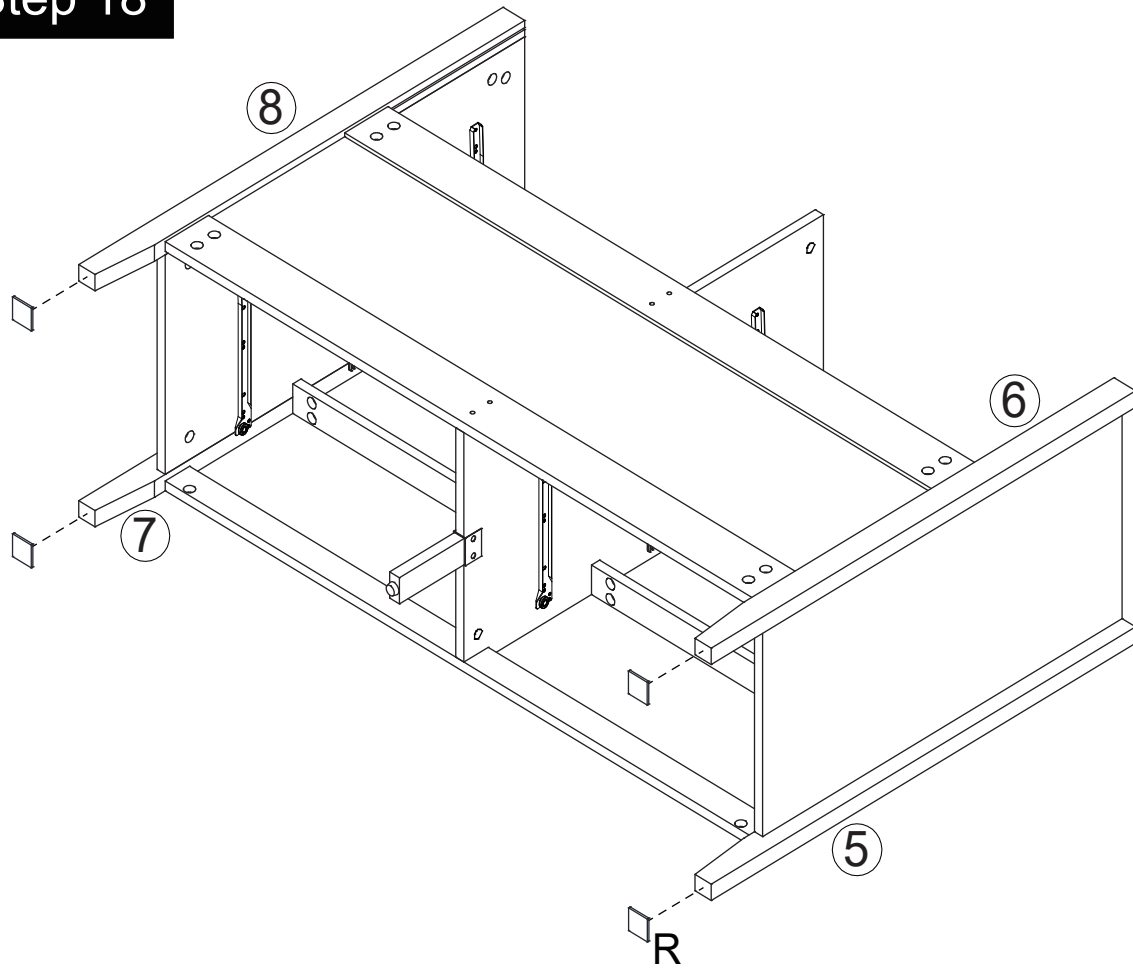
9xB	
-----	--

Step 17



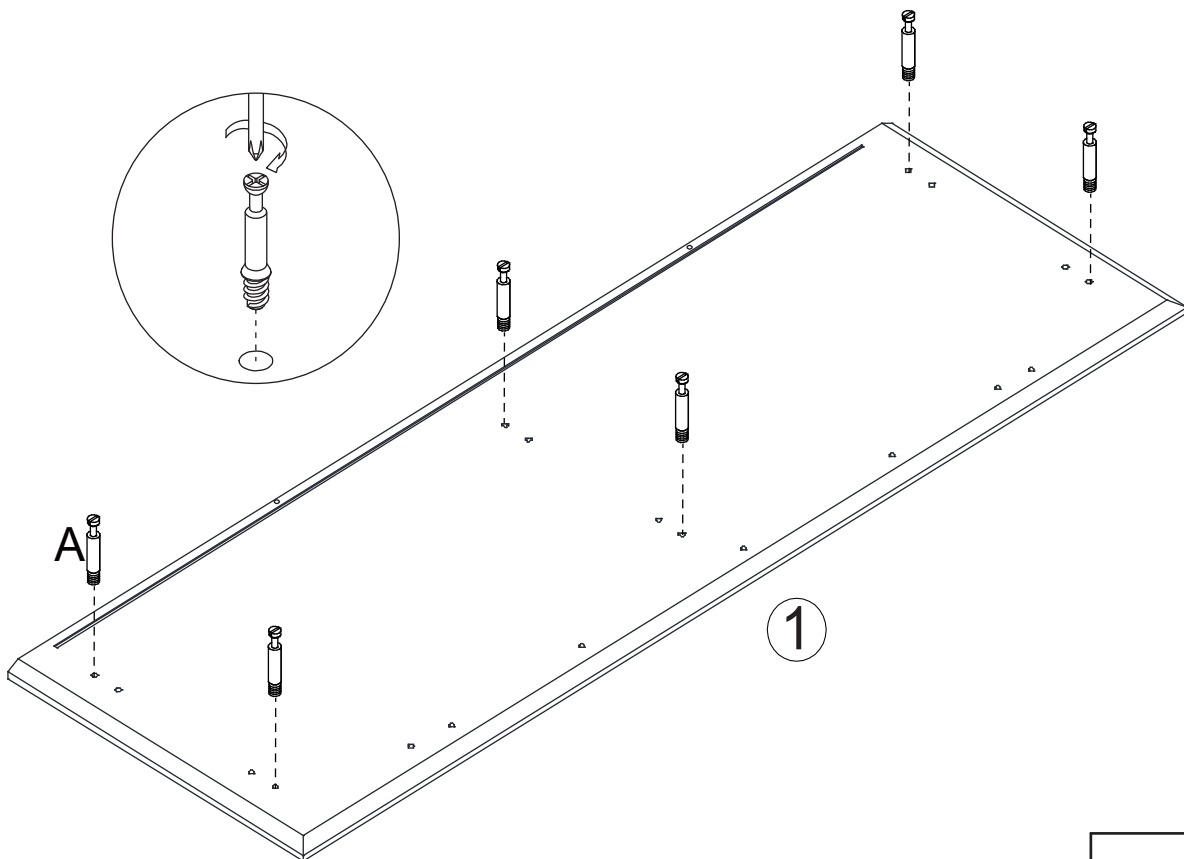
2xH	
2xI	
2xJ	

Step 18



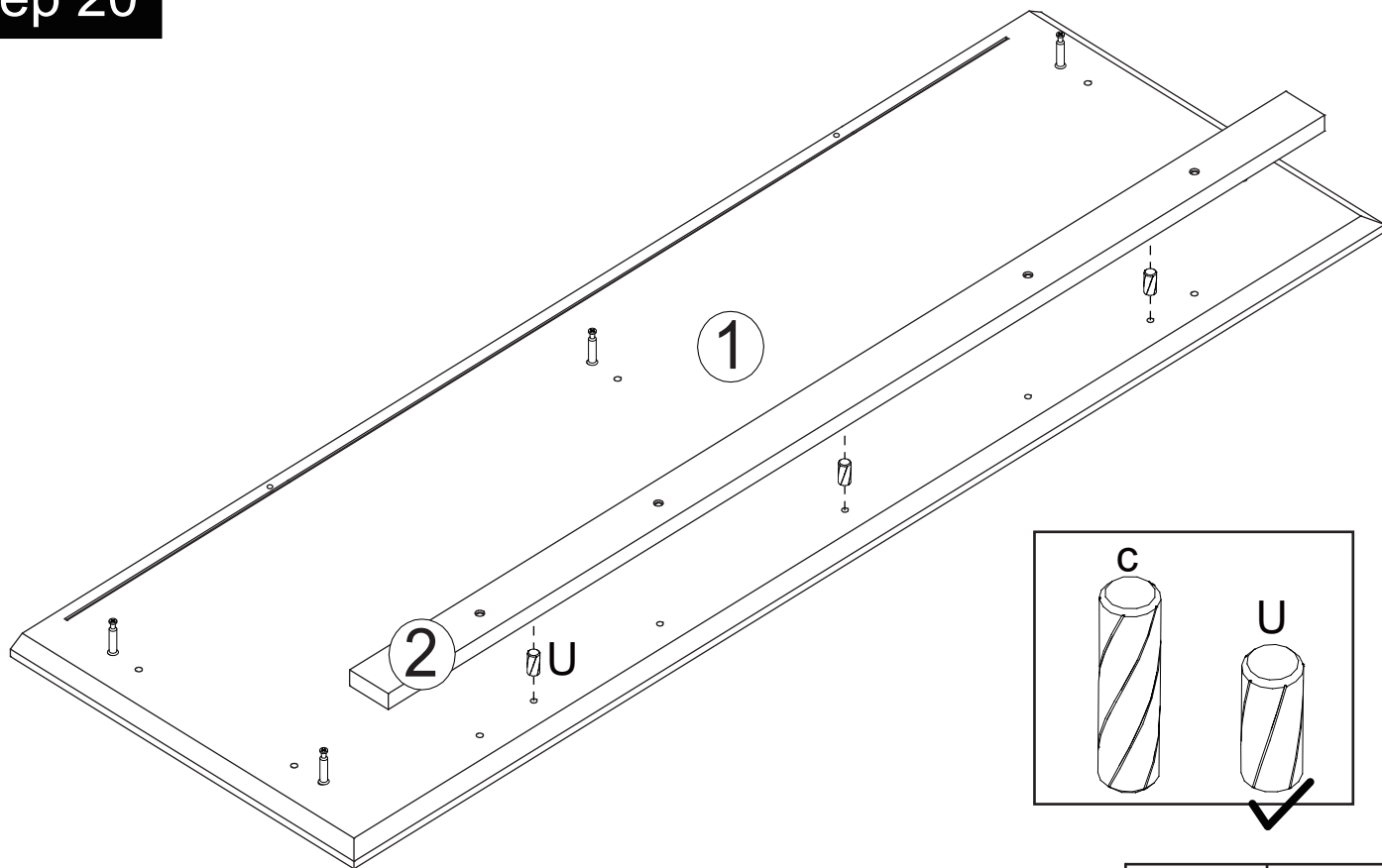
4xR	
-----	--

Step 19



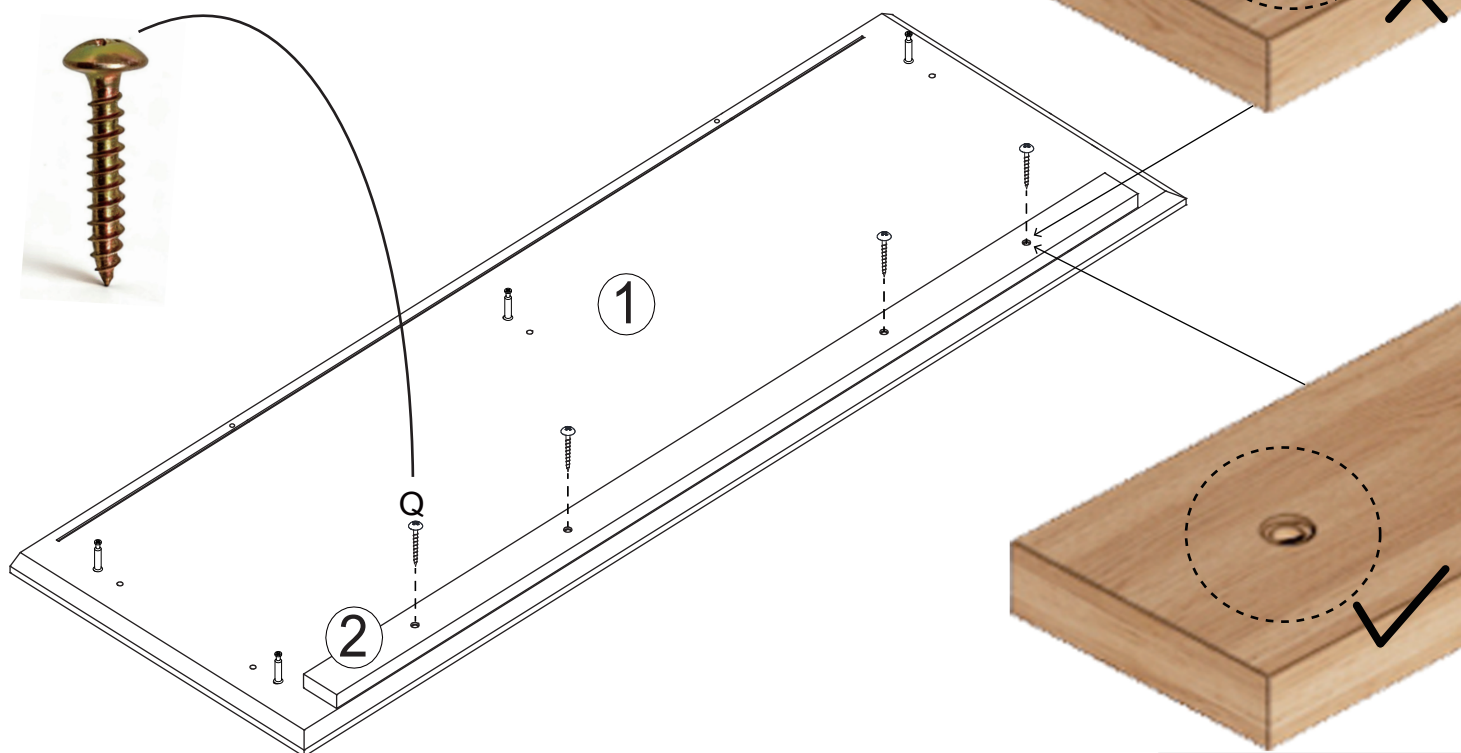
6xA	
-----	--

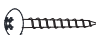
Step 20



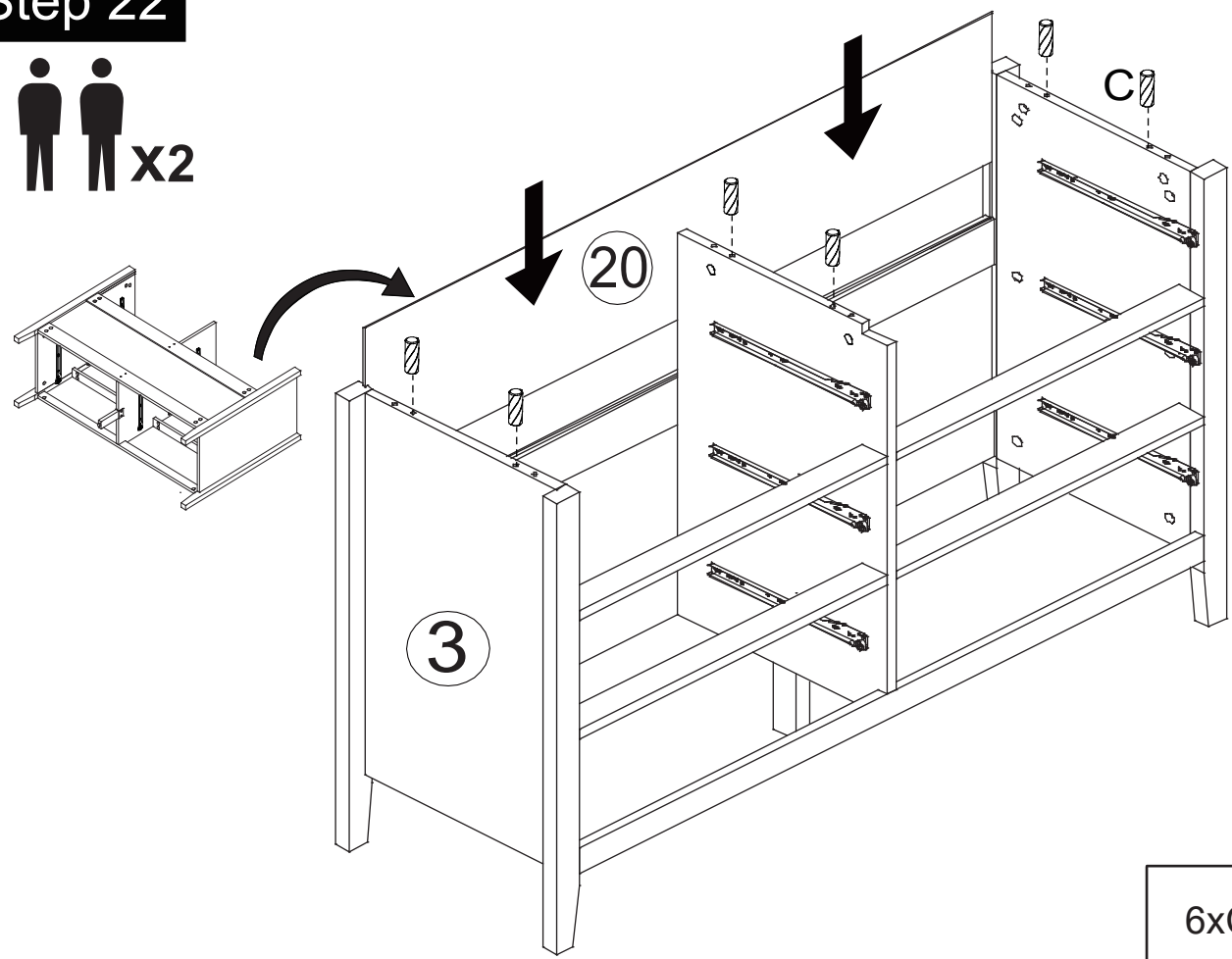
3xU	
-----	---------------------------------------------------------------------------------------

Step 21



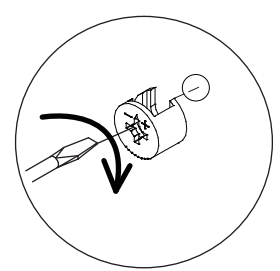
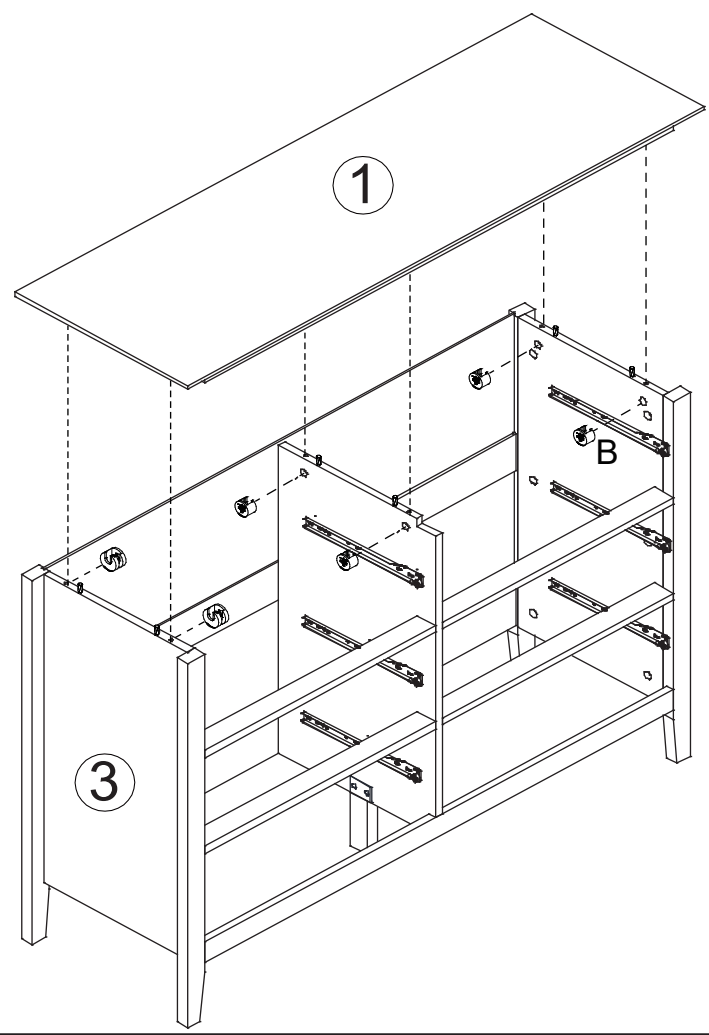
4xQ	
-----	---------------------------------------------------------------------------------------

Step 22



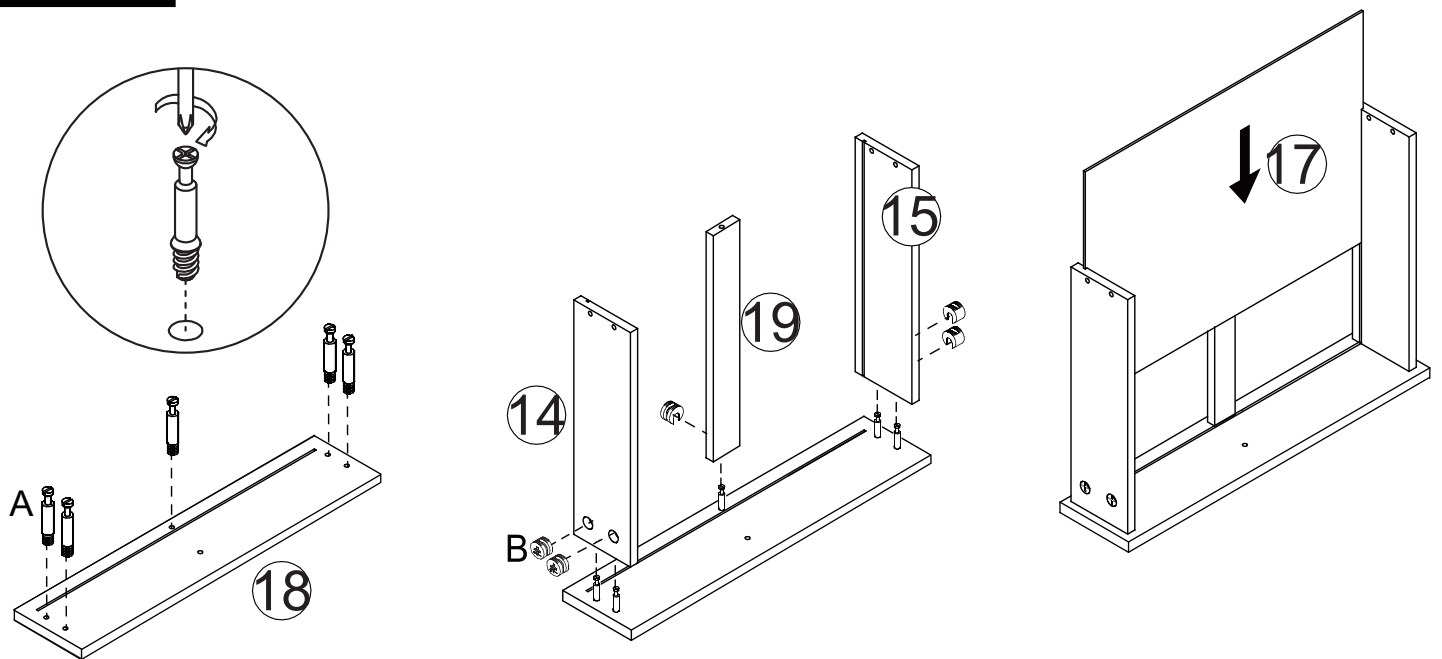
6xC	
-----	--

Step 23



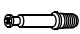

6xB	
-----	--

Step 24

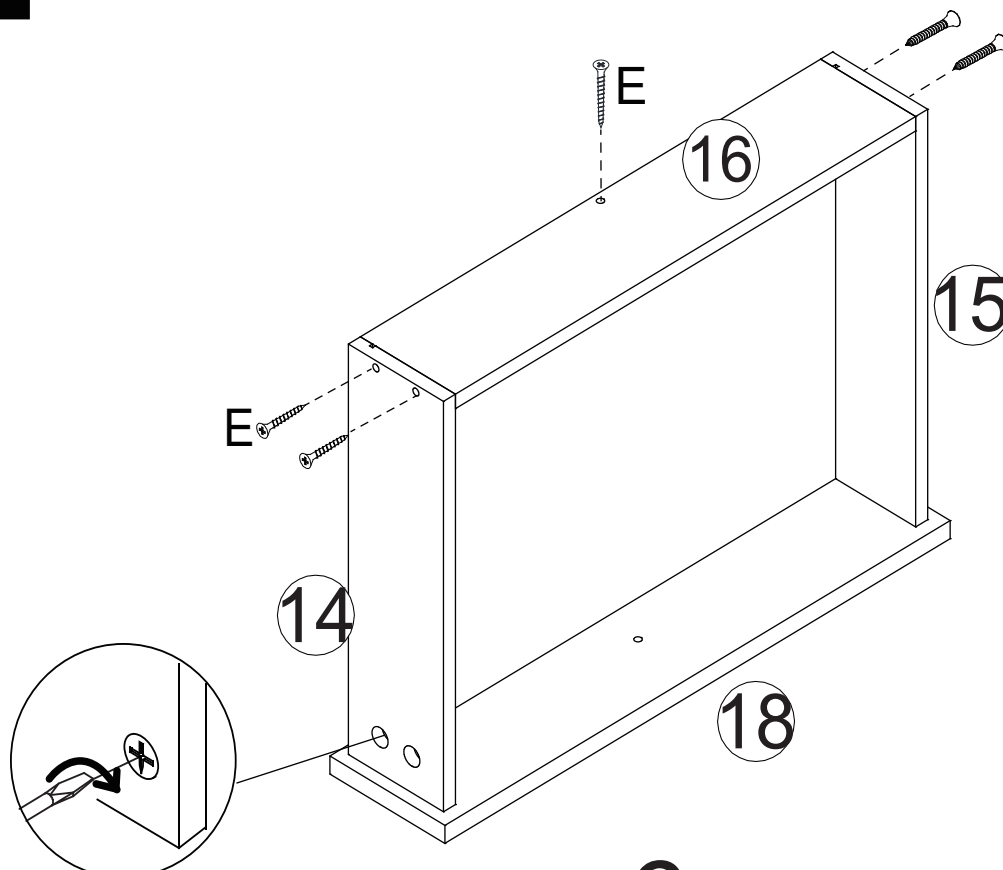


Note: It's important not to over-tighten fittings on the drawer sides until all sides are aligned and the drawer base is inserted. Always keep drawer flat in this step so the groove for base will align correctly.

x 6

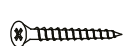
30xA	
30xB	

Step 25

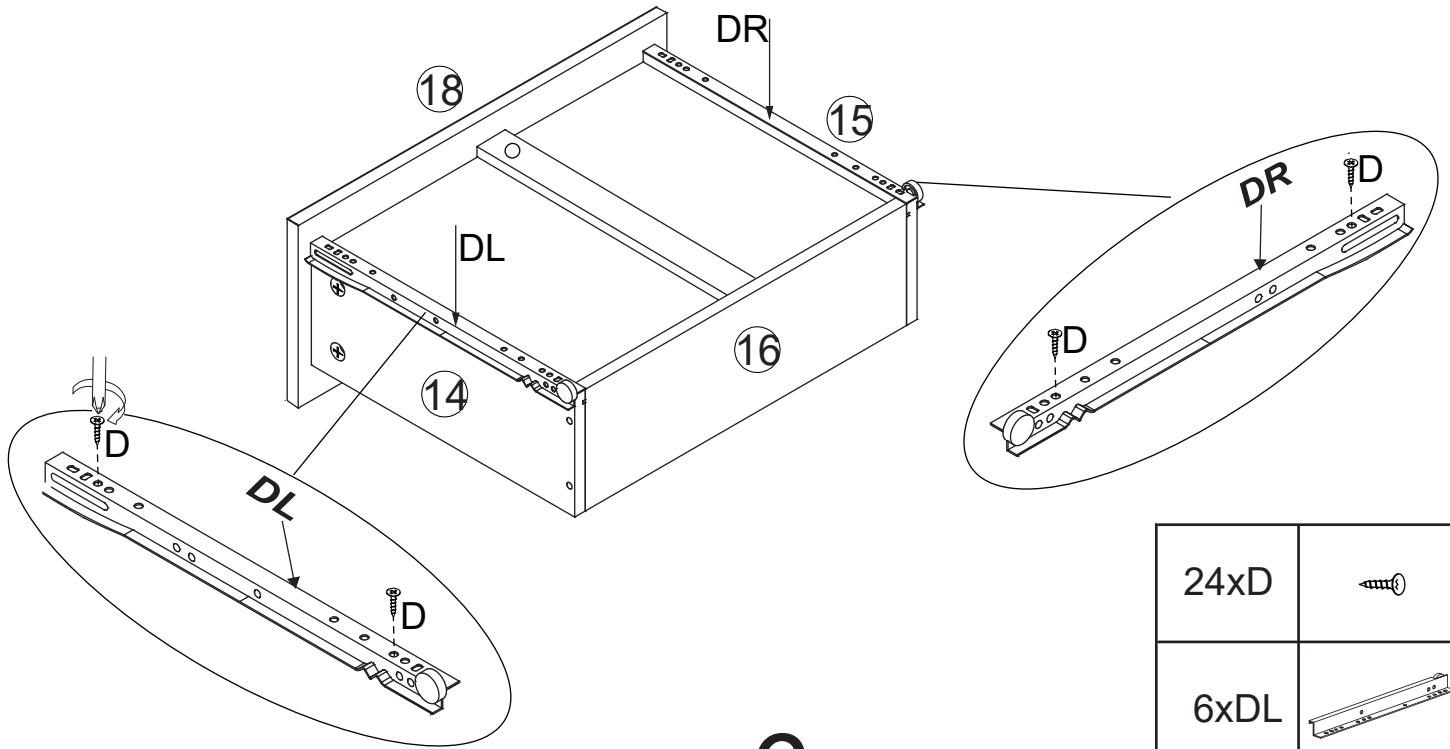


Tighten fittings fully once base is inserted correctly.

x 6

30xE	
------	---------------------------------------------------------------------------------------

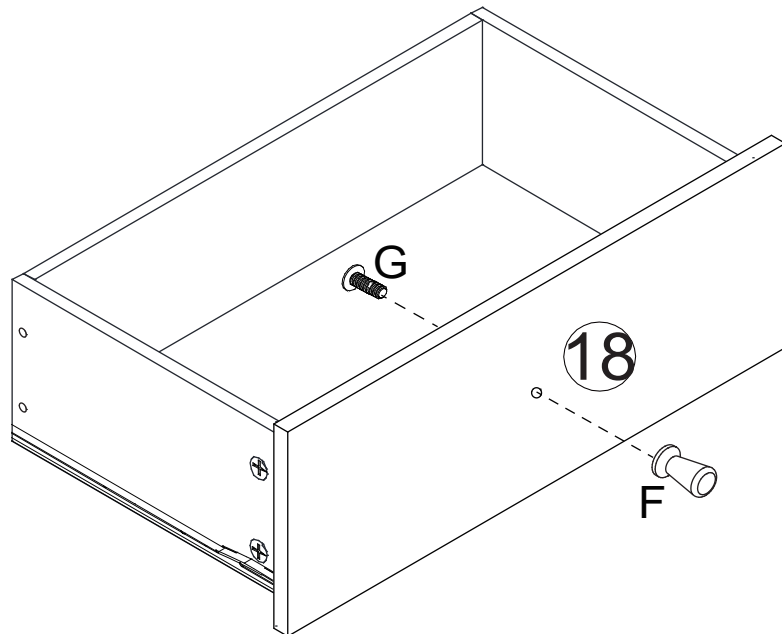
Step 26



x 6

24xD	
6xDL	
6xDR	

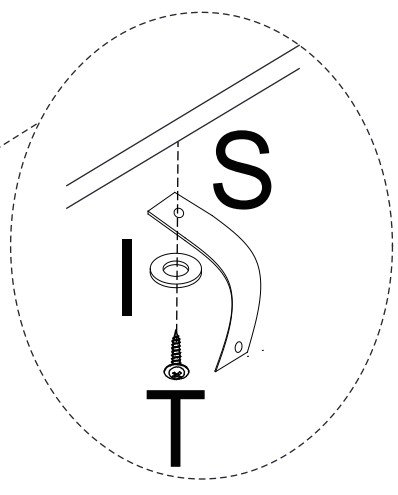
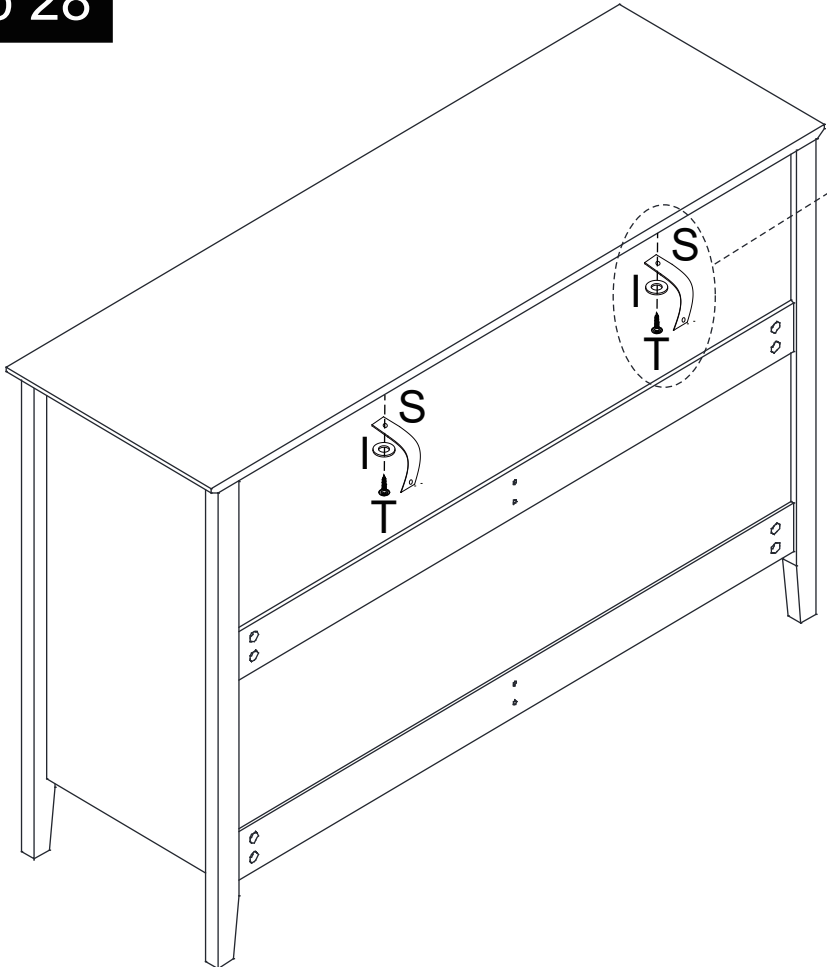
Step 27






x 6

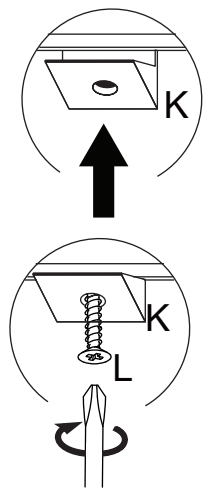
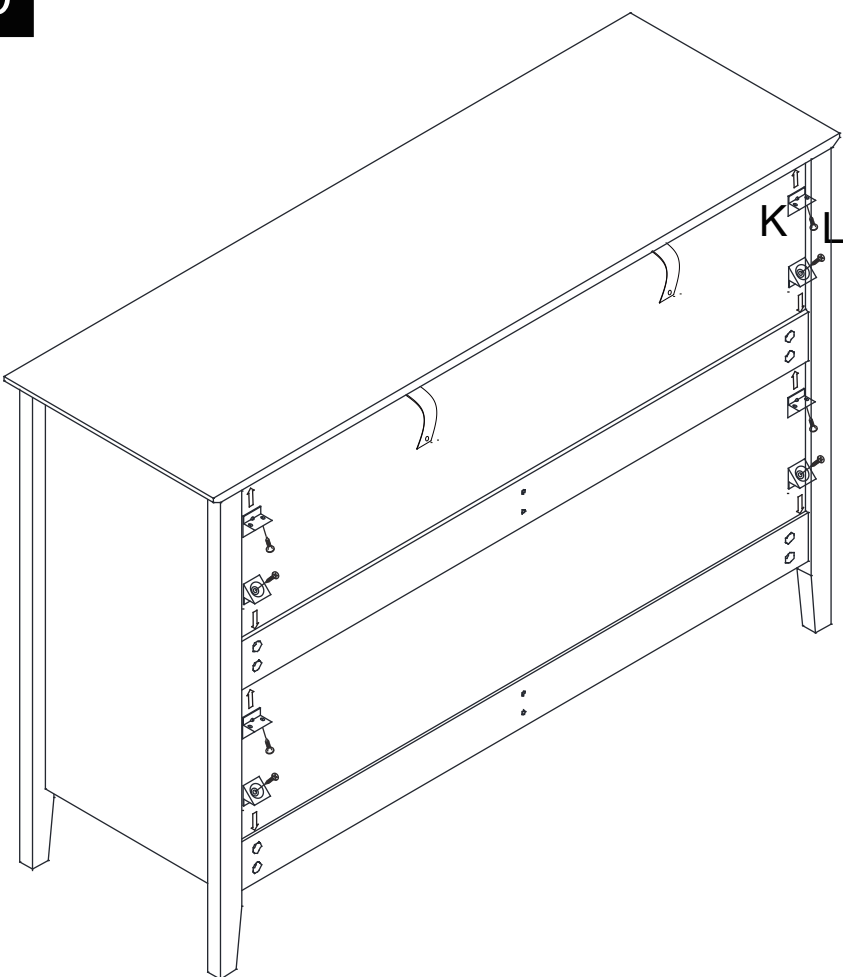
6xF	
6xG	



Step 28



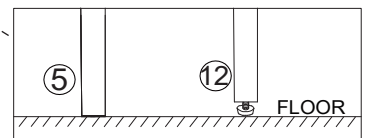
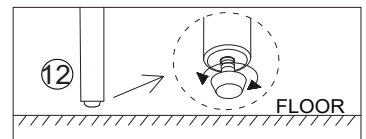
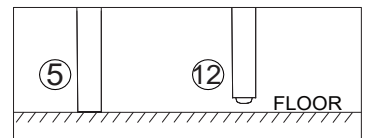
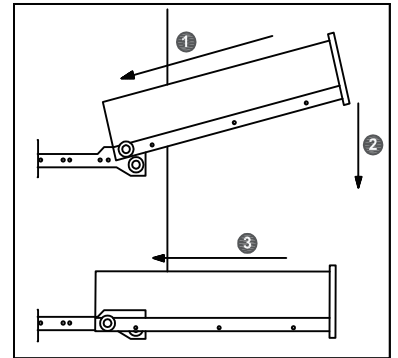
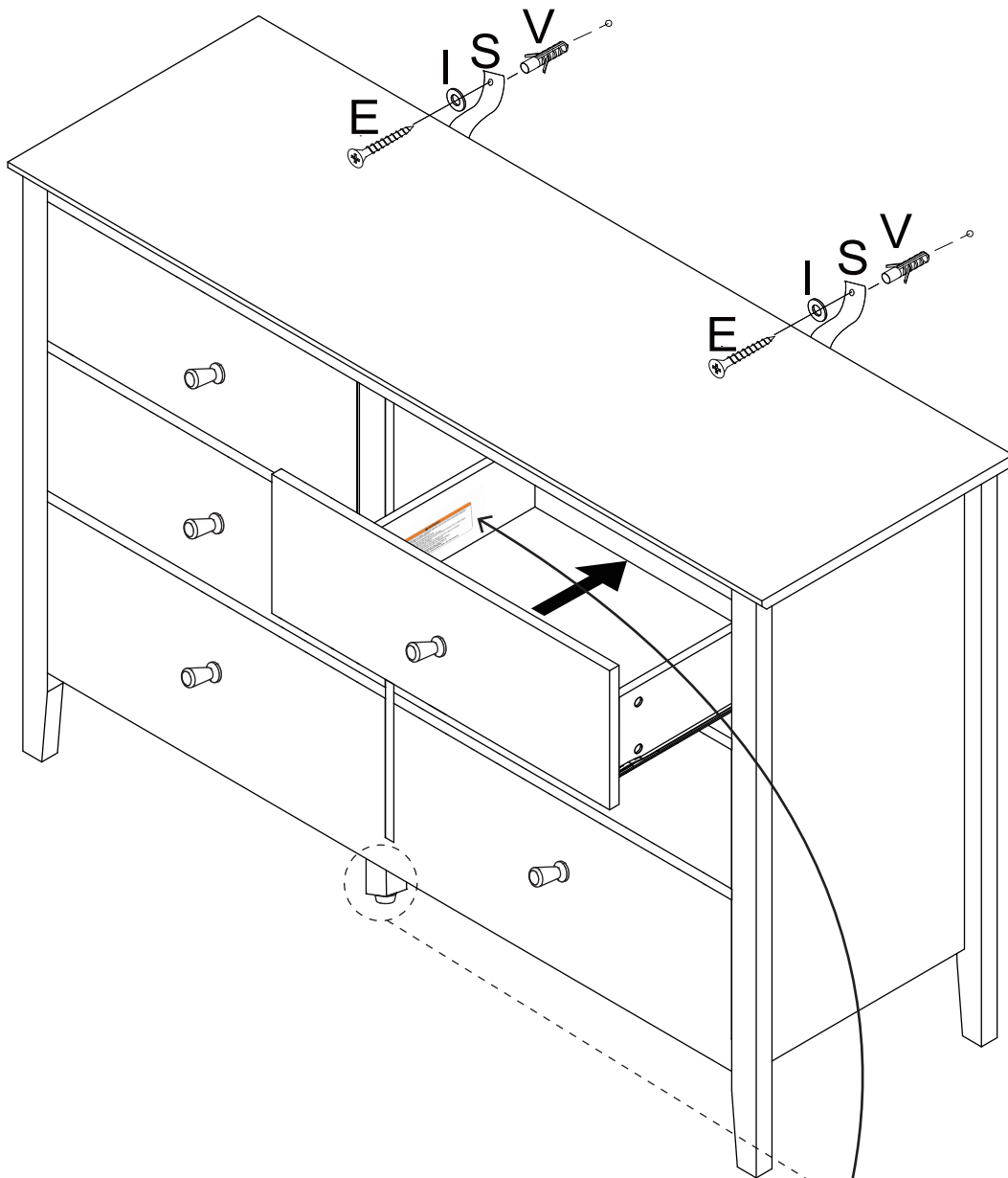
2xI	
2xS	
2xT	

Step 29



8xK	
8xL	

Step 30



⚠ WARNING



Serious or fatal crushing injuries can occur from furniture tipover. To help prevent tipover:

- Install tipover restraint provided.
- Place heaviest items in the lower drawers.
- Unless specifically designed to accommodate, do not set TVs or other heavy objects on top of this product.
- Never allow children to climb or hang on drawers, doors or shelves.
- Never open more than one drawer at a time.
- Do not defeat or remove the drawer interlock system.

Use of tipover restraints may only reduce, but not eliminate, the risk of tipover.

This is a permanent label. Do not remove.

2xE	
2xI	
2xV	

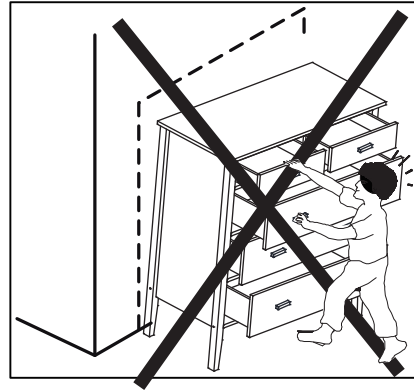
! WARNING

Serious or fatal crushing can occur from furniture tip over.

To help prevent tip over:

- Install all tip over restraints provided with your product.
- Place heaviest items inside the lower doors.
- Do not sit TV's or other heavy objects on top of this product.
- Never allow children to climb or hang on drawers, doors, shelves.
- Never open more than one door at a time.

Use of tip over restraints may only reduce, but will not eliminate, the risk of tip over.



Wall Mounting & Fixing Guide



IMPORTANT:

When drilling into walls, always check for hidden wires or pipes, etc.



Tips & Tricks

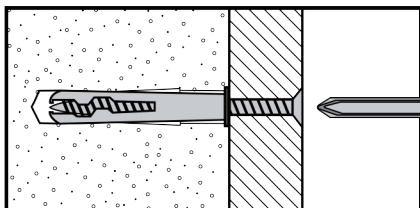
Make sure that the hardware used is suitable for supporting your unit.

Please consult a qualified tradesperson if unsure.

- ✓ If you are unsure, please select a larger screw and wall plug.
- ✓ Ensure that you use the recommended drill bit to match the wall plug and hole size.
- ✓ Take extra care when drilling high walls, ceiling and ceramic tiles. Ensure wall plugs are inserted beyond the thickness of the ceramic tiles to avoid splitting or cracking.
- ✓ Ensure that wall plugs are well fitted and are a tight fit in the drilled hole.

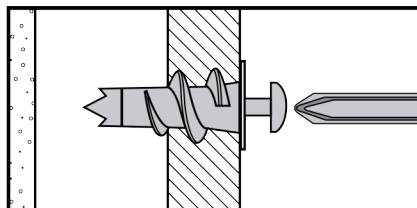
Types Of Walls

A general purpose wall plug is included which is suitable for most solid walls. For other wall types a suitable fixing will be required which are not included. General guidance to wall types and fittings typically used, if you are unsure as to what type of wall fixing to use please seek specialist advice.



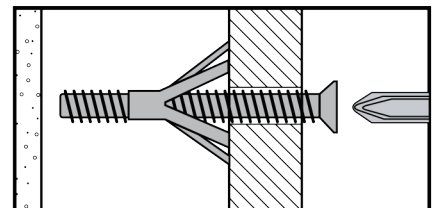
1. General Purpose Wall Plug

Generally, aerated blocks should not be used to support heavy loads, use a specialist fitting in this case. For light loads, general purpose wall plugs can be used.



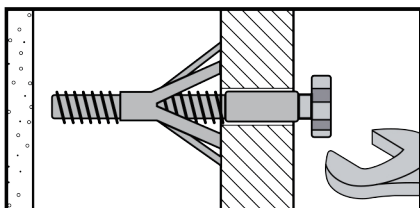
2. Plasterboard Wall Plug

For use when attaching light loads onto plasterboard partitions.



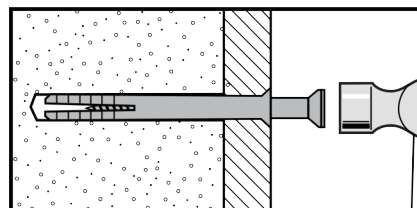
3. Cavity Fixing Wall Plug

For use with plasterboard partitions or hollow wooden doors.



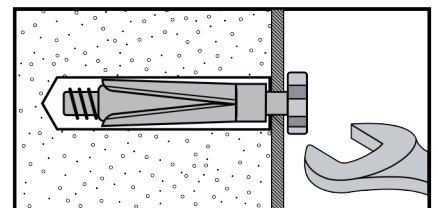
4. Cavity Fixing Heavy Duty Wall Plug

For use when fitting or supporting heavy loads such as shelving and wall cabinets.



5. Hammer Fixing Wall Plug

For use with concrete block or brick walls, or walls stuck with plasterboard. The hammer fixing allows it to be fixed to the wall rather than the plasterboard. Always check the fixing is secure to the retaining wall.



6. Shield Anchor Wall Plug Heavy Loads

For use with concrete or brick walls, or for use with heavier loads such as TV & HiFi speakers and satellite dishes, etc.