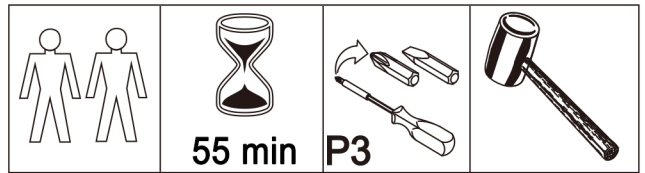


FR517



Thank you for choosing this furniture.

BEFORE YOU START ASSEMBLY please store the carton at room temperature for 48 hours or more so the contents can acclimatise.

PLEASE RETAIN ALL PACKING UNTIL YOU HAVE COMPLETED ASSEMBLY.

Information about your furniture.

This furniture has been carefully crafted from manufactured wood board. Due to the unique characteristics of natural materials the base colour of the boards can vary which may slightly affect the shade of the finished product.

Caring for your furniture.

Extreme temperature can cause slight movements in the manufactured wood boards so please avoid placing your furniture close to radiators or other direct sources of heat. Humidity should also be avoided.

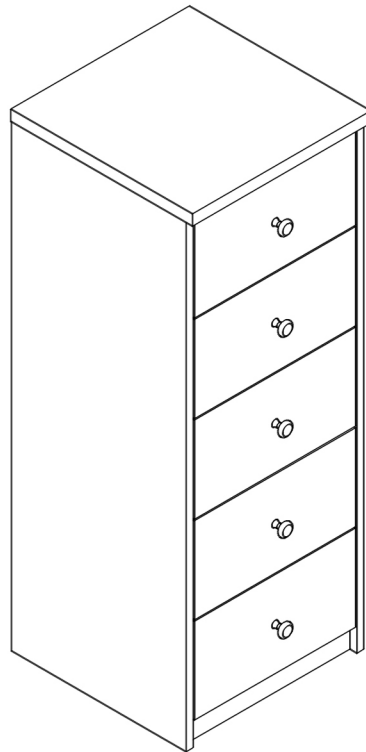
Please avoid exposing your furniture to continued bright sunlight as it can affect the colour.

Any fluid spills should be removed as quickly as possible.

Always lift your furniture when moving as dragging may cause damage to your furniture or flooring.

After care.

Wipe the surfaces with a dry cloth and an occasional use of a normal household furniture polish. For the models with drawers, we also recommend you use household spray polish occasionally on drawer grooves and runners as this will aid use. Please do not use detergents or chemicals on your furniture.



BEFORE YOU START ASSEMBLY

Please check that you have all the correct parts and fittings as detailed in the Parts List .

In the unlikely event that you require to order spare parts please refer to your delivery note for details of how to order on our Parts Website.

BATCH NUMBER **DAL7508**

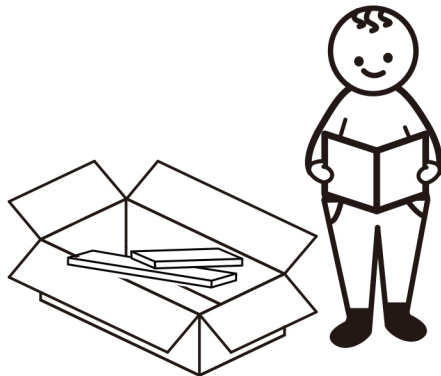
⚠ WARNING: ENSURE THAT WALL STRAP IS ATTACHED TO AVOID SERIOUS INJURY

To avoid any serious injury, this product has been supplied with a wall strap to prevent toppling. We strongly recommend that this product is permanently fixed to the wall or other suitable surface.

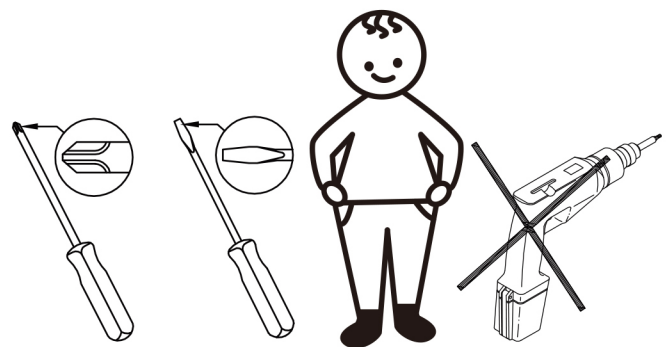
PLEASE RETAIN THIS INSTRUCTION LEAFLET FOR FUTURE REFERENCE.

12/25 MANUFACTURED IN P.R.C FOR CORE PRODUCTS, PERTH, UK PH1 3DZ

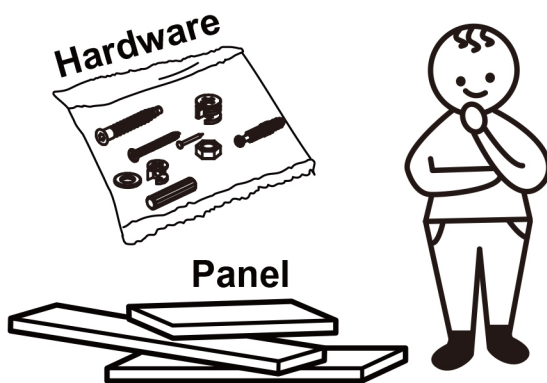
Assembly Checklist



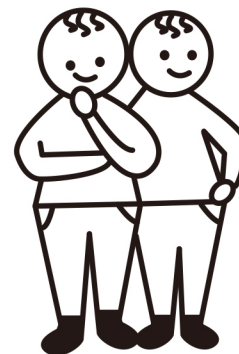
Read through the instructions carefully before you begin.



Make sure you have all the required tools. Never use power tools unless instructed.



Identify and lay out all of the components before you begin assembly.



Two people are required to assemble.

Useful Information

! Never use power tools unless specifically instructed. They can damage your components or hardware if used incorrectly.

! The most common mistakes made during assembly are using the wrong hardware or getting components back to front.

! Always use a soft surface (such as carpet or cardboard) when assembling your product to avoid scratching or damaging the surface of the product.

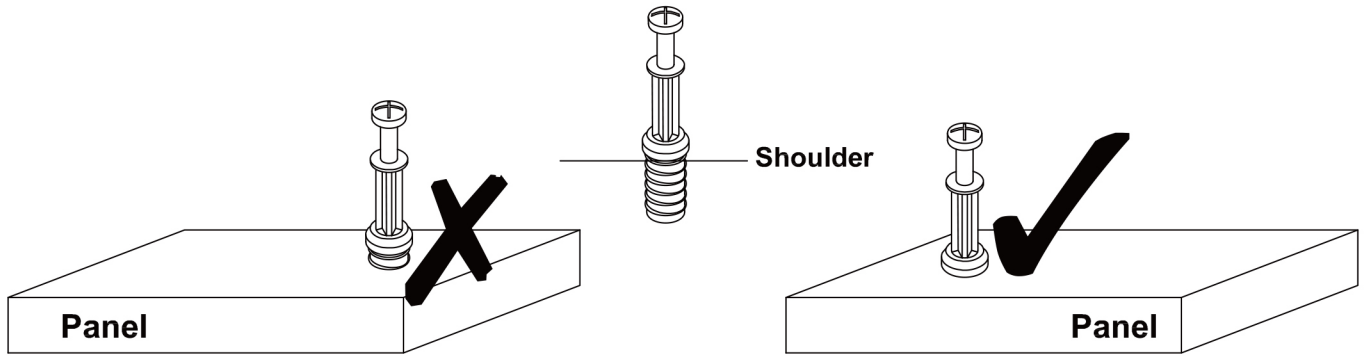
! Bulky items should be assembled in the room they will be used in as they may not fit through a door once assembled.

! Never use any glue until you are certain that the parts belong together.

! Periodically check and re-tighten all fasteners. Check the product care label or website for product care instructions.

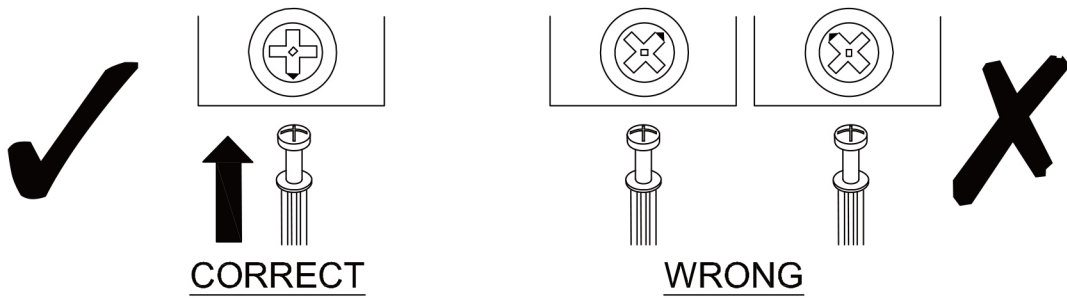
! If you are having any difficulties assembling your product, missing any hardware or components please email us.

QUICKFIT



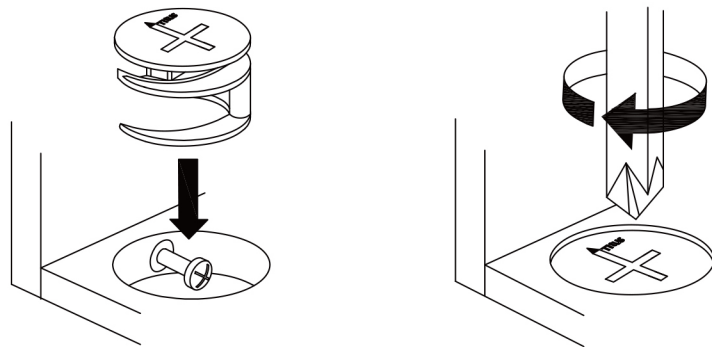
Tighten quickfit until shoulder is flush with panel. Do not overtighten or undertighten.

CAM LOCK



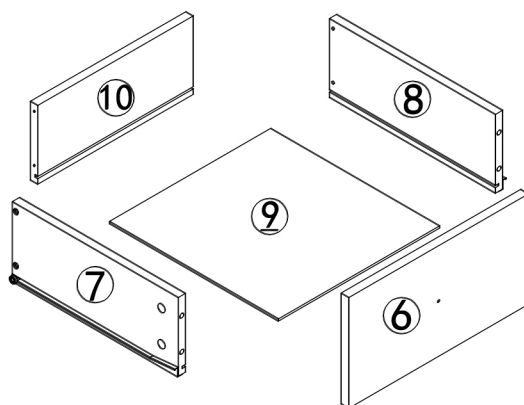
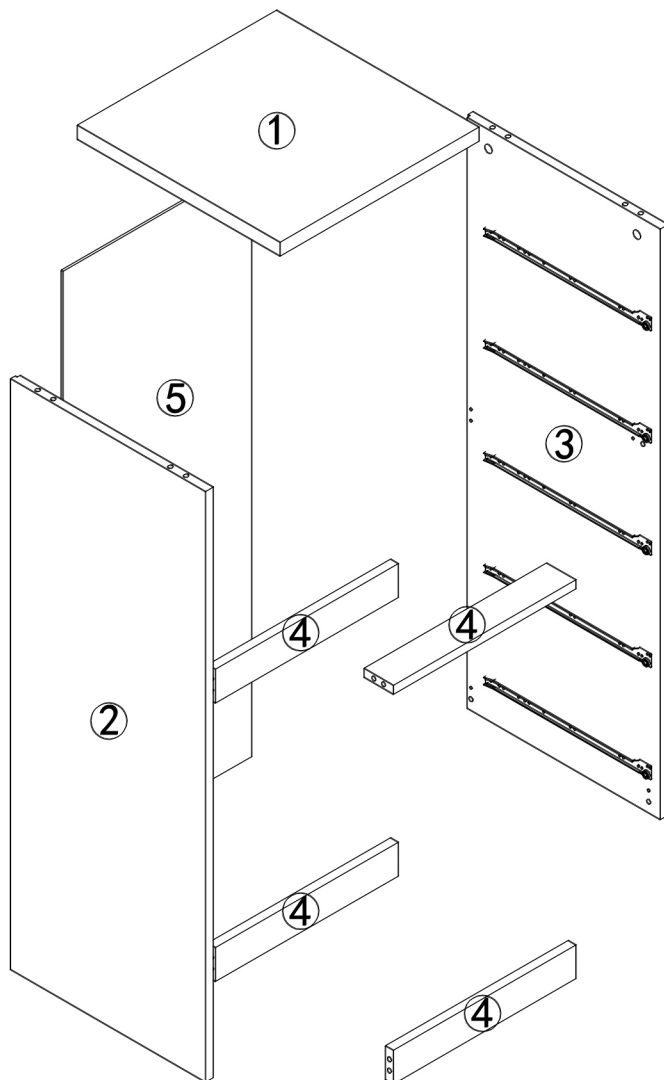
When fitting cam lock, ensure starting position is correct before you insert connecting quickfit.

Quickfit head should be in the centre of the cam lock when the two panels are joined. Cam lock should be inserted before quickfit.



Turn cam lock clockwise to tighten.

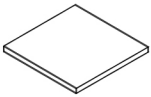


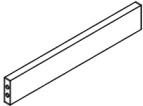

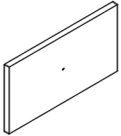

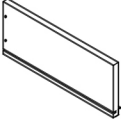
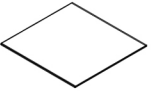
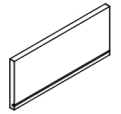
FR517 COMPONENT LIST



X 5

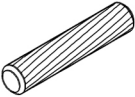
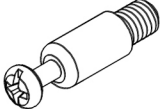
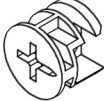



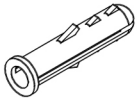

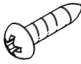
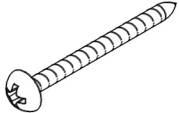

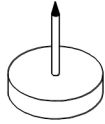
FR517 Part list

When unpacking, please be careful not to discard any parts with the packaging.
Before continuing, please make sure you have the following parts:

NO	Description	Qty	Sketch	NO	Description	Qty	Sketch
①	Top panel	1		②	Left side panel	1	
③	Right side panel	1		④	Cross bar	4	
⑤	Back panel	1		⑥	Drawer front panel	5	
⑦	Drawer left side panel	5		⑧	Drawer right side panel	5	
⑨	Drawer base panel	5		⑩	Drawer back panel	5	

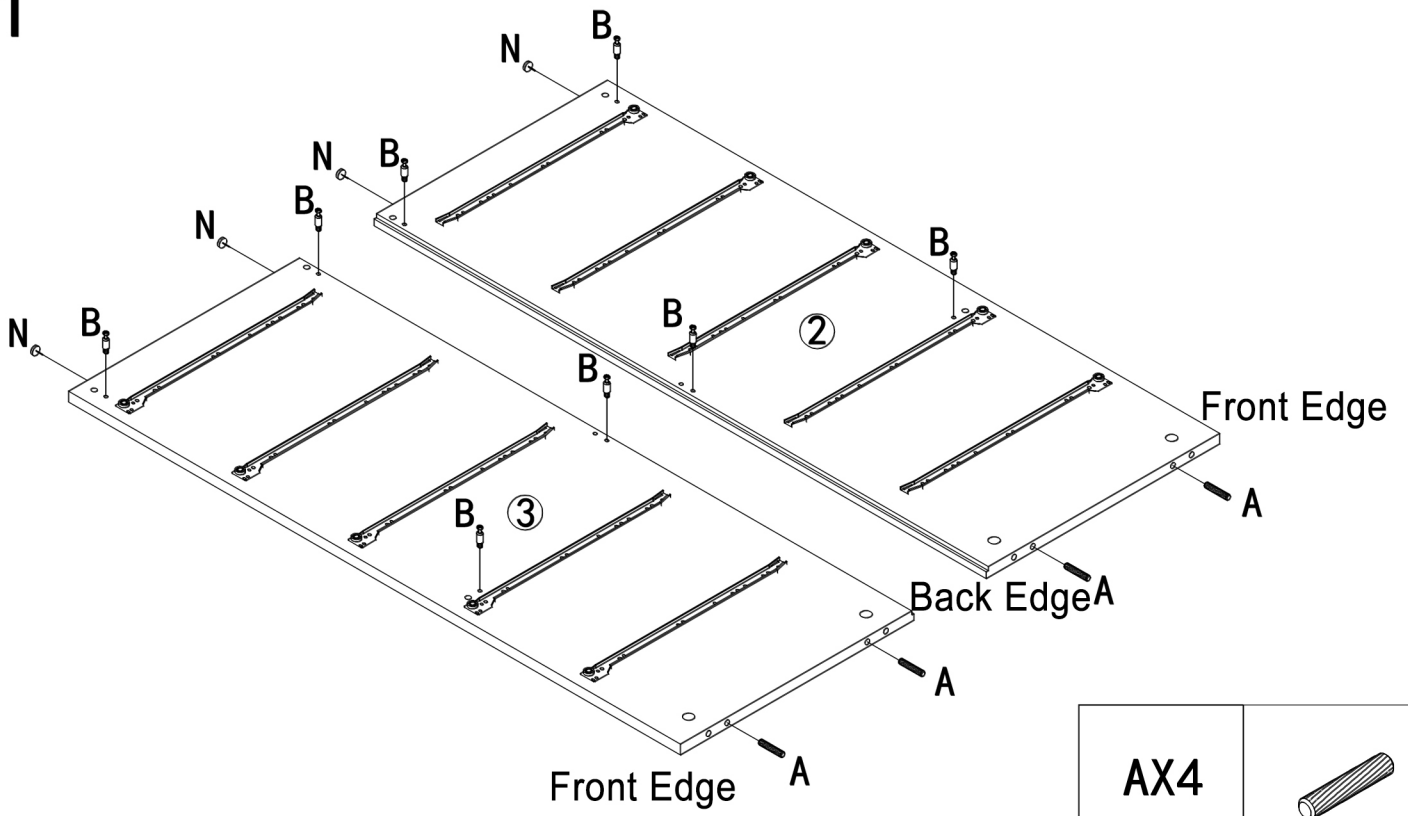
FR517 Hardware list


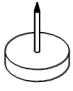
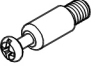
When unpacking, please be careful not to discard any parts with the packaging.
Before continuing, please make sure you have all of the following hardware:

 <p>Wooden Dowel Ax12</p>	 <p>Cam Bolt Bx32</p>	 <p>Cam Lock Cx32</p>	 <p>Nail Dx12</p>	 <p>Handle Ex5</p>
 <p>Bolt Fx5</p>	 <p>Wall Plug Gx1</p>	 <p>Anti-tip Strap Hx1</p>	 <p>Screw Jx1</p>	 <p>Screw Kx21</p>
 <p>Washer Lx2</p>	 <p>Plastic Feet Pins Nx4</p>			

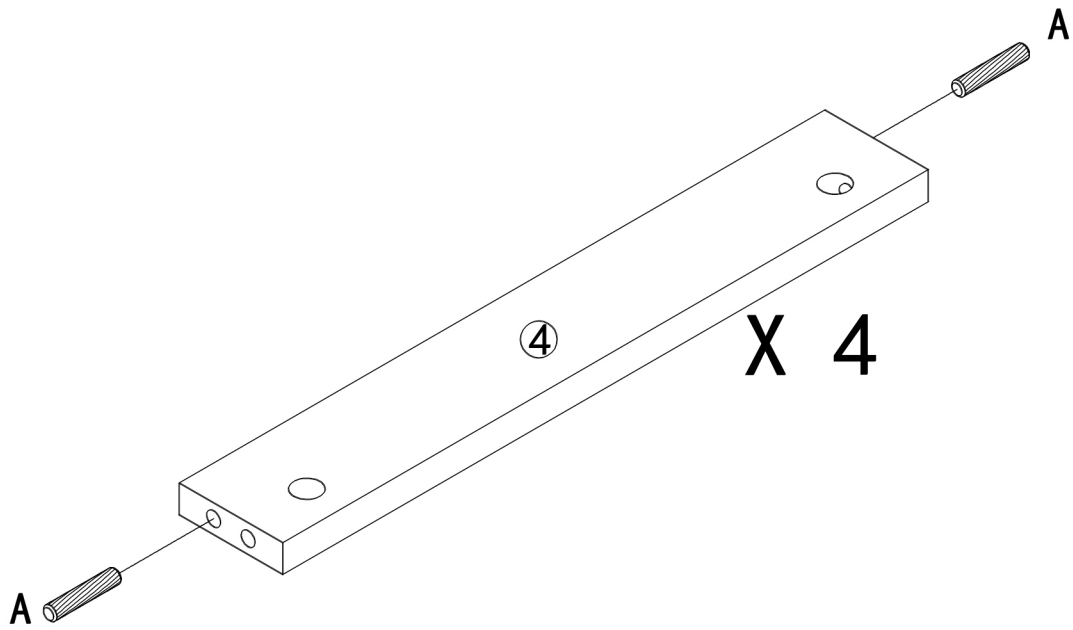
(The hardware quantities listed above are required, For proper assembly some extra hardware may have been included.)

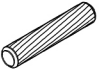
01



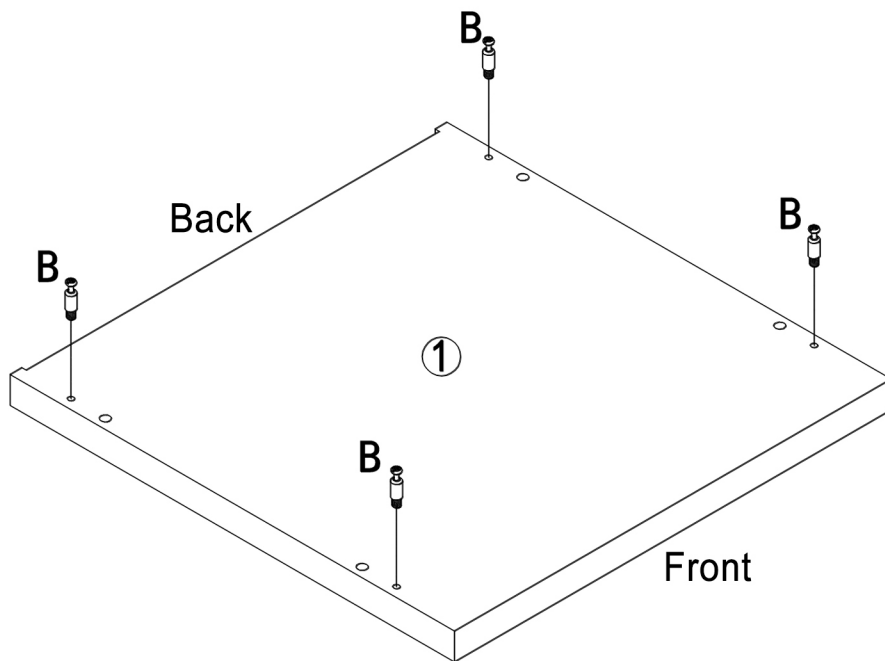
		AX4	
NX4		BX8	

02



AX8	
-----	---

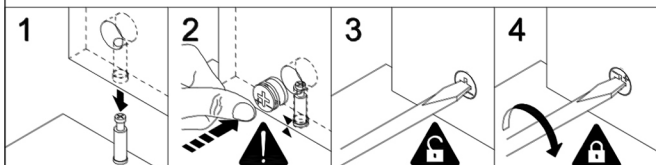
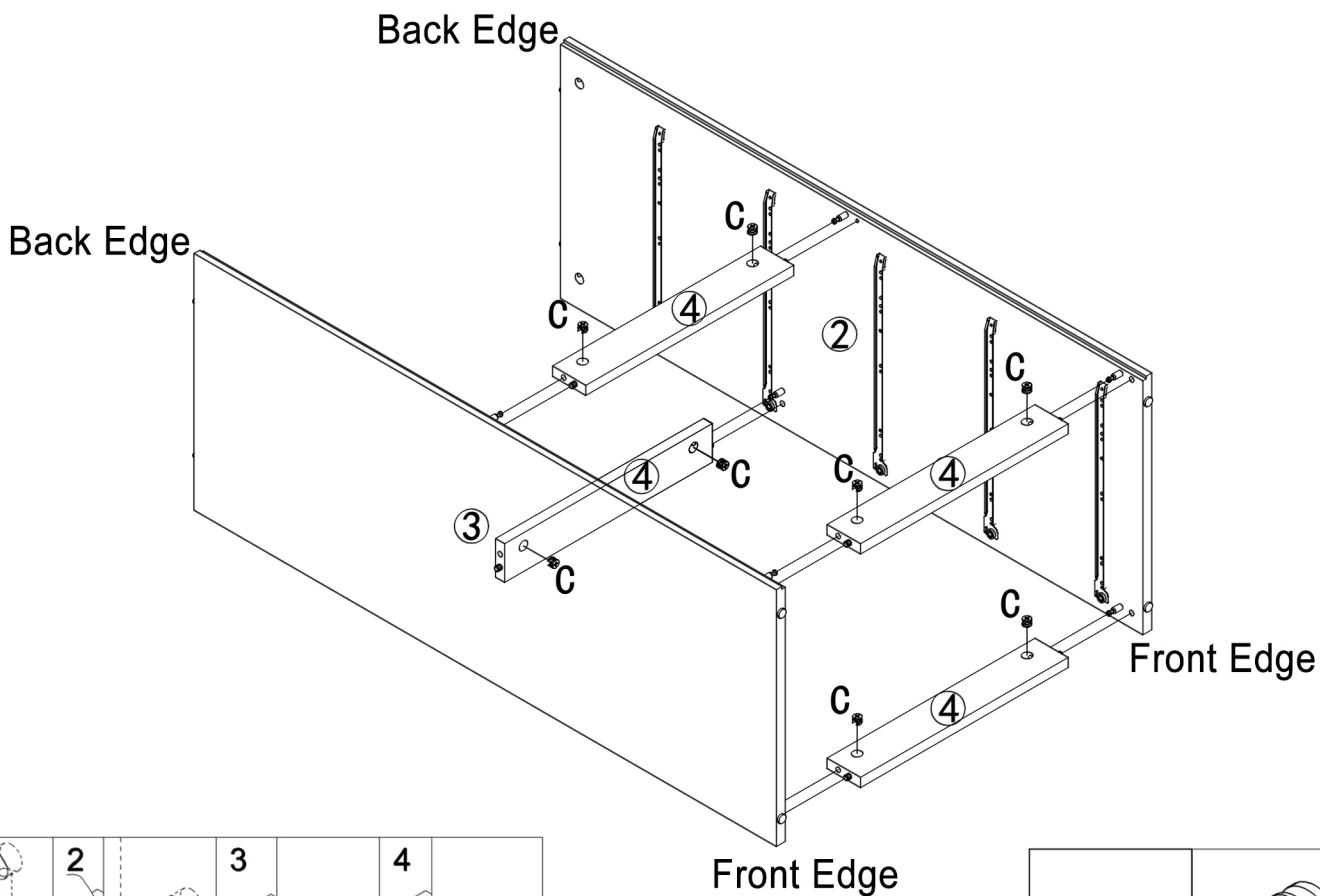
03



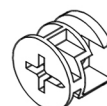
BX4



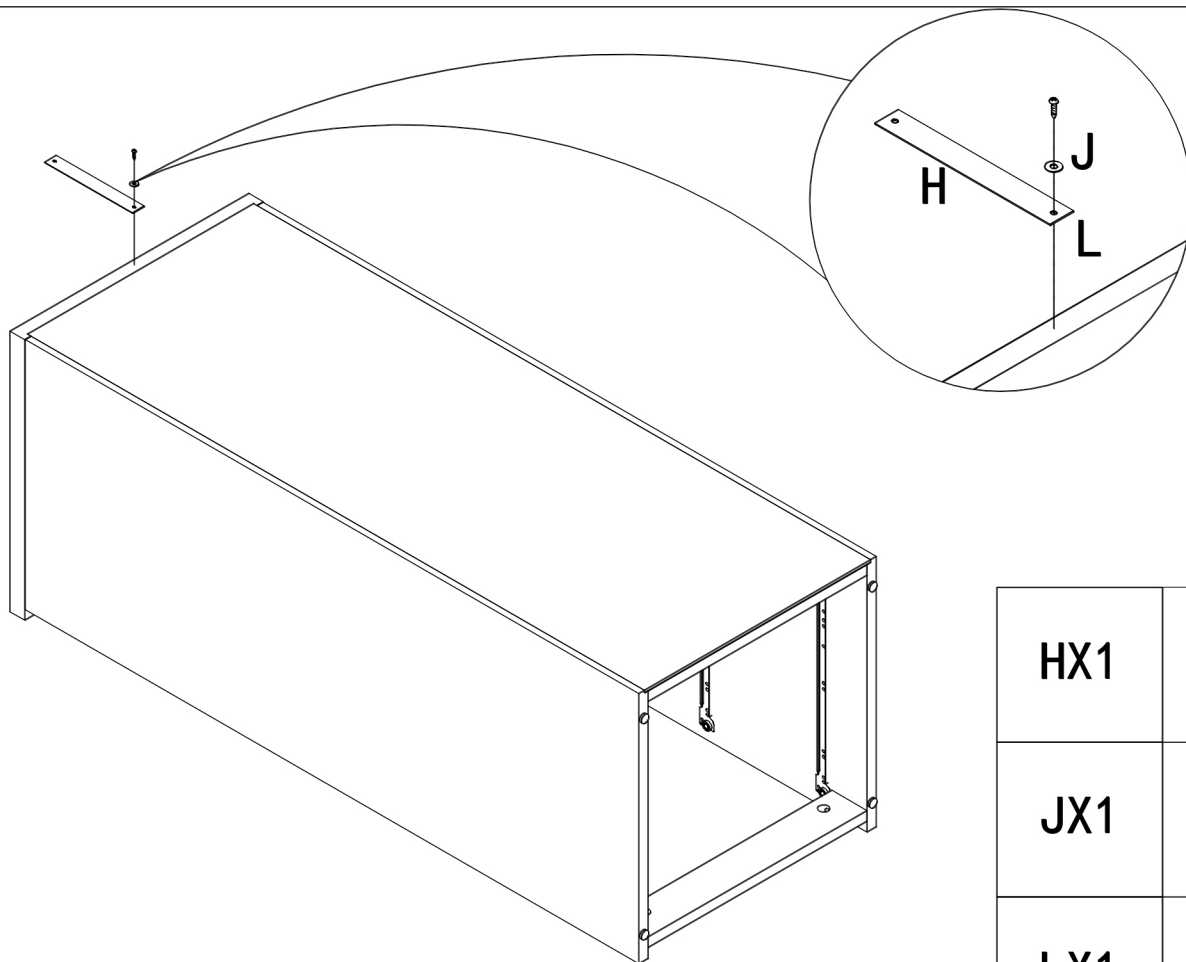
04






CX8

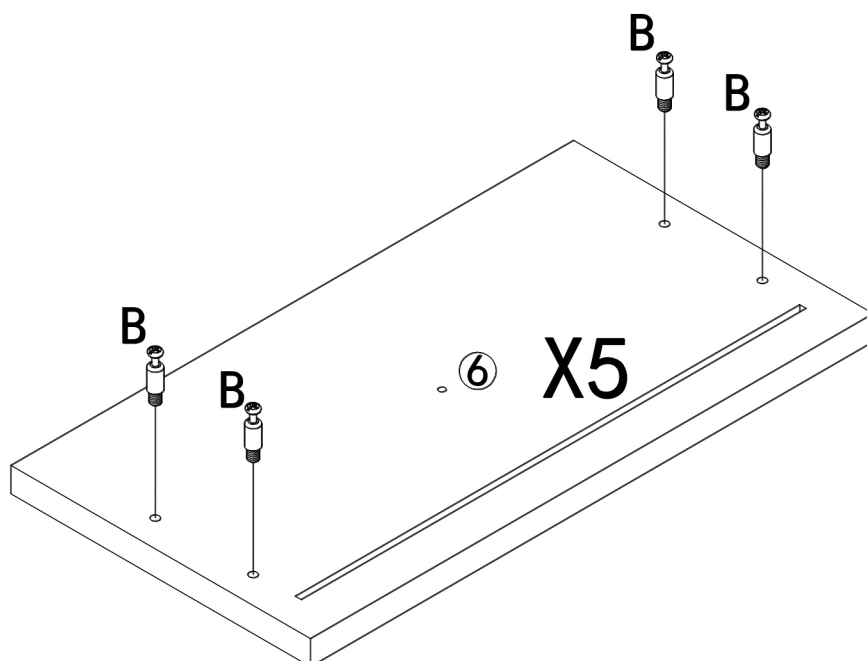



07



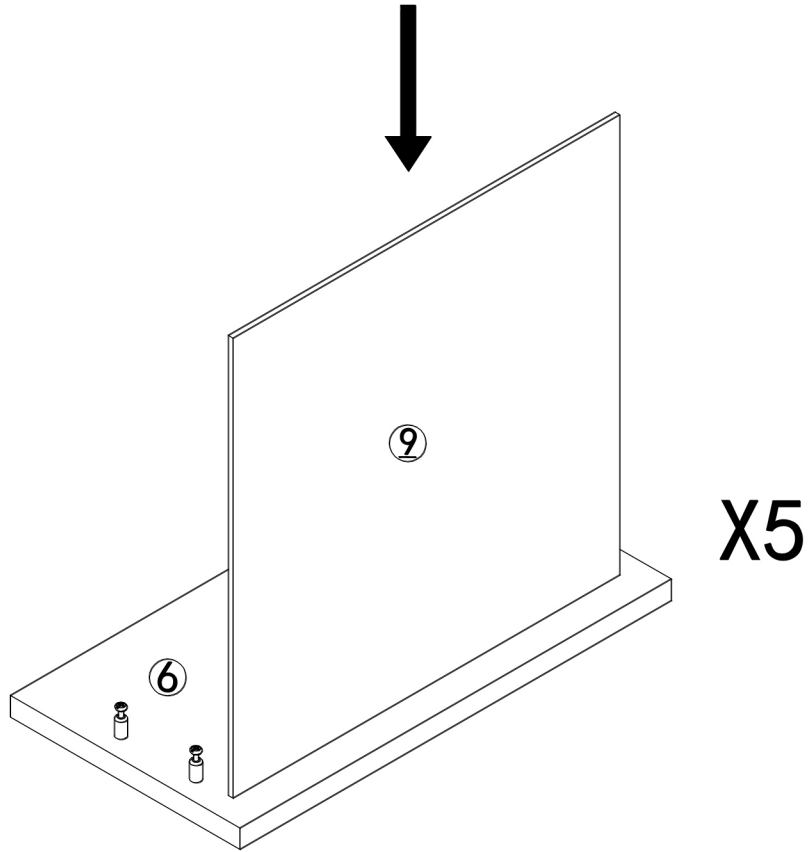
HX1	
JX1	
LX1	

08 DRAWER ASSEMBLY

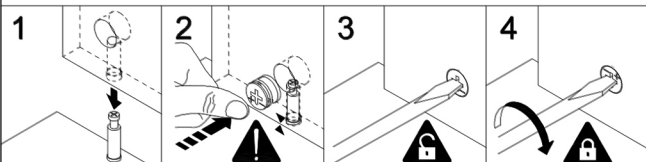
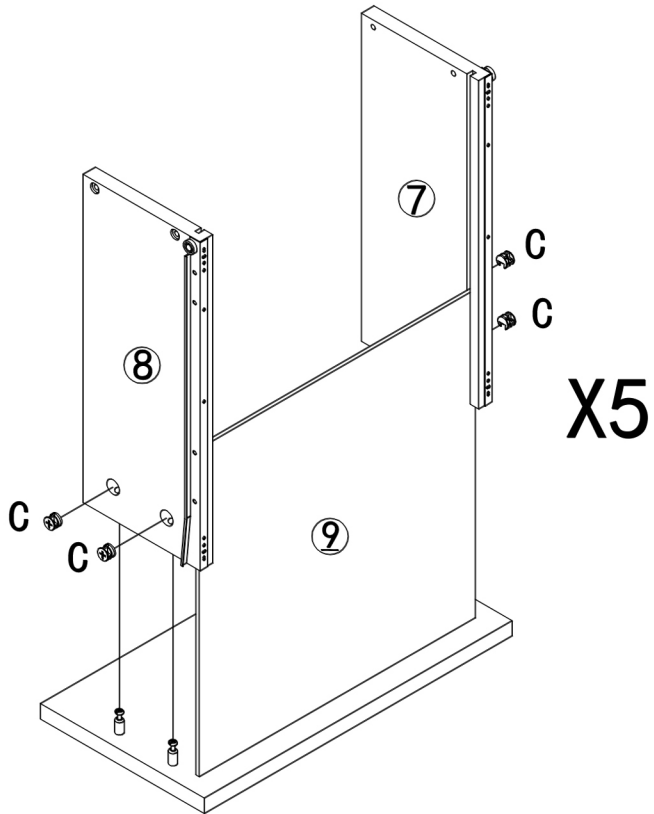


BX20	
------	---

09



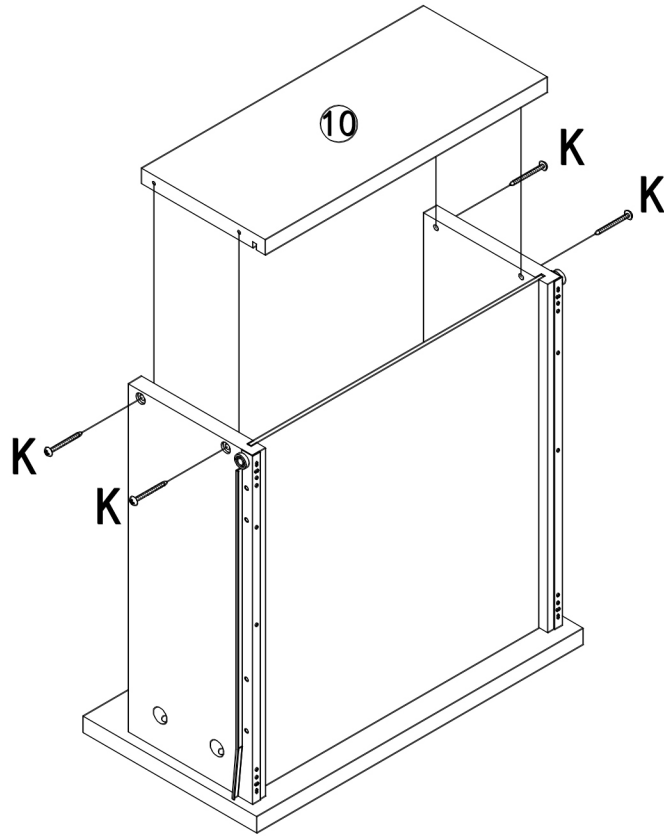
10



CX20



11

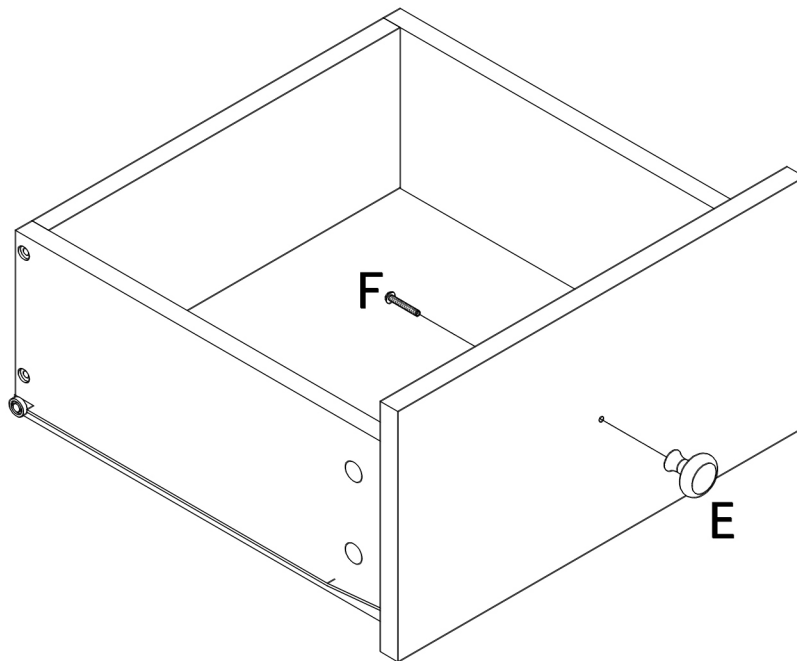


X 5

KX20



12



X 5

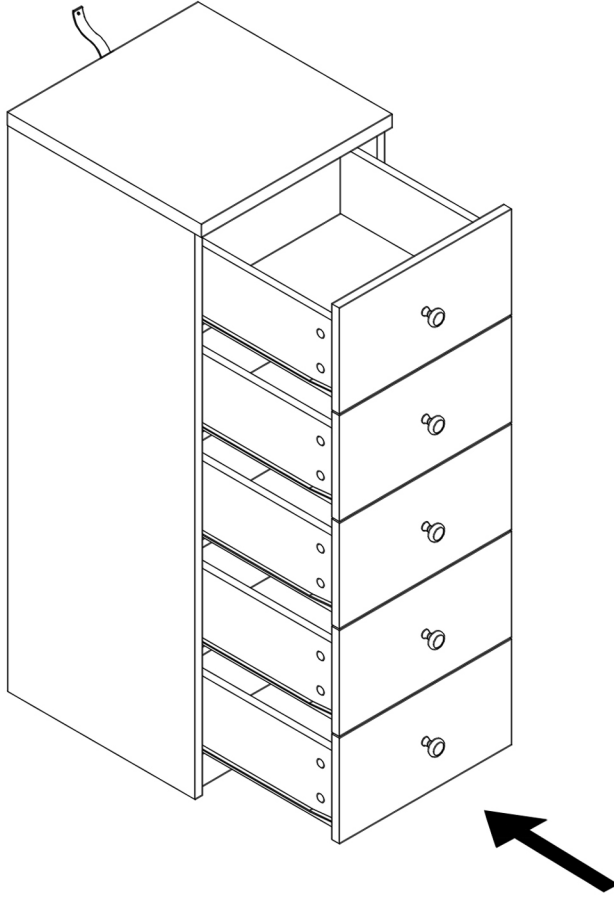
EX5



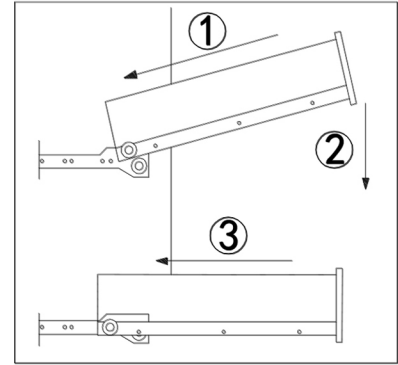
FX5



11

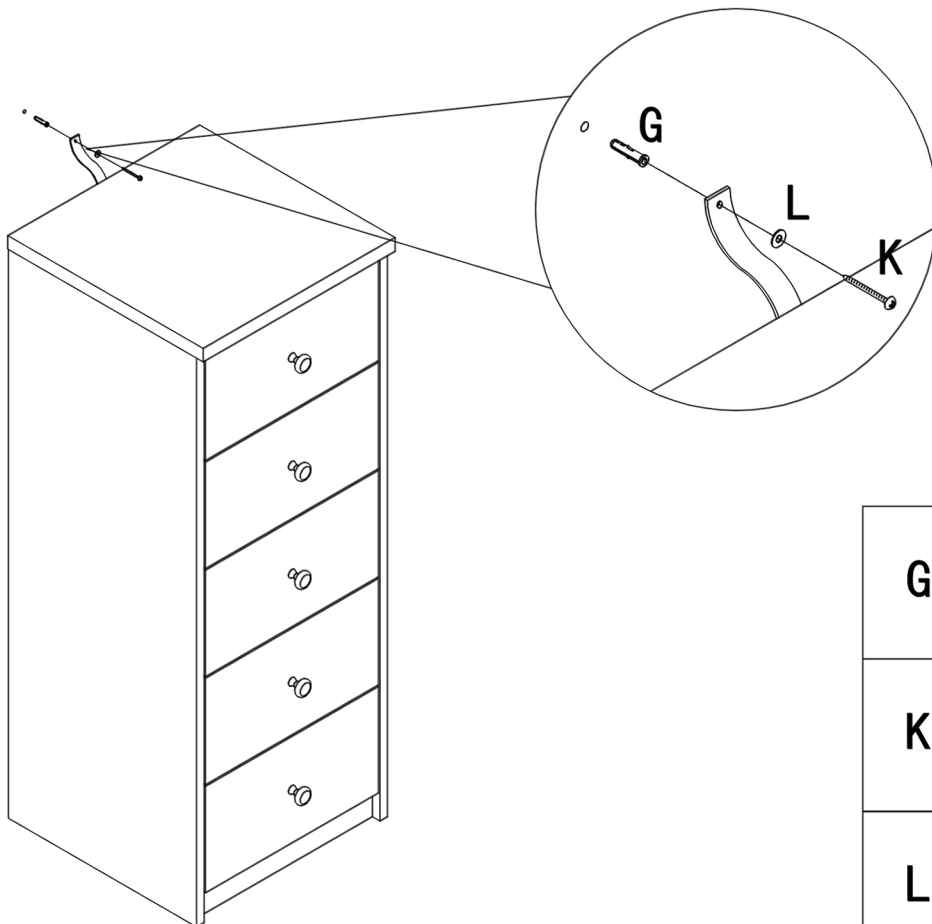


Insert lower drawer first



12

Please read fixing guide on next page before attaching to wall.



GX1	
KX1	
LX1	

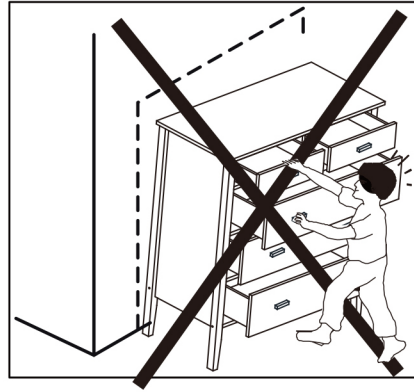
WARNING

Serious or fatal crushing can occur from furniture tip over.

To help prevent tip over:

- Install all tip over restraints provided with your product.
- Place heaviest items inside the lower doors.
- Do not sit TV's or other heavy objects on top of this product.
- Never allow children to climb or hang on drawers, doors, shelves.
- Never open more than one door at a time.

Use of tip over restraints may only reduce, but will not eliminate, the risk of tip over.



Wall Mounting & Fixing Guide



IMPORTANT:

When drilling into walls, always check for hidden wires or pipes, etc.



Tips & Tricks

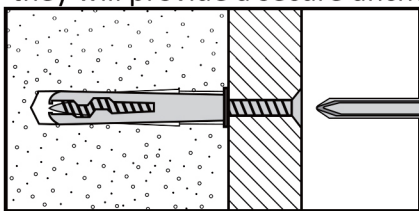
Make sure that the hardware used is suitable for supporting your unit.

Please consult a qualified tradesperson if unsure.

- If you are unsure, please select a larger screw and wall plug.
- Ensure that you use the recommended drill bit to match the wall plug and hole size.
- Take extra care when drilling high walls, ceiling and ceramic tiles. Ensure wall plugs are inserted beyond the thickness of the ceramic tiles to avoid splitting or cracking.
- Ensure that wall plugs are well fitted and are a tight fit in the drilled hole.

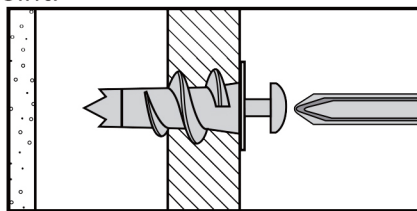
Types Of Walls

Use one of the following types of wall plug (not included) if your walls are made of brick, breeze block, concrete, stone or wood. Screws may be able to be fixed directly to solid wood walls as they will provide a secure anchor point.



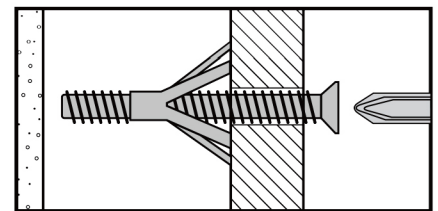
1. General Purpose Wall Plug

Generally, aerated blocks should not be used to support heavy loads, use a specialist fitting in this case. For light loads, general purpose wall plugs can be used.



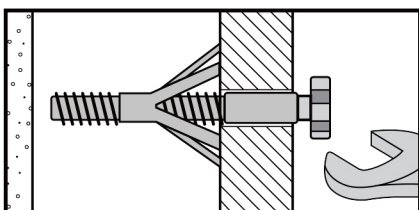
2. Plasterboard Wall Plug

For use when attaching light loads onto plasterboard partitions.



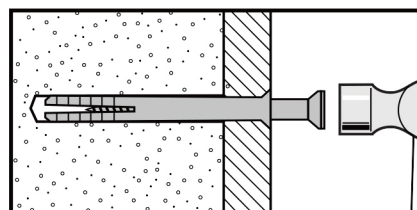
3. Cavity Fixing Wall Plug

For use with plasterboard partitions or hollow wooden doors.



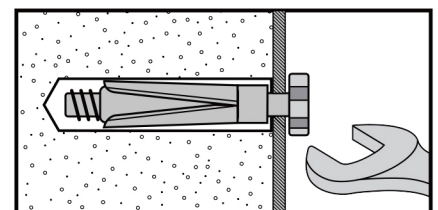
4. Cavity Fixing Heavy Duty Wall Plug

For use when fitting or supporting heavy loads such as shelving and wall cabinets.



5. Hammer Fixing Wall Plug

For use with concrete block or brick walls, or walls stuck with plasterboard. The hammer fixing allows it to be fixed to the wall rather than the plasterboard. Always check the fixing is secure to the retaining wall.



6. Shield Anchor Wall Plug Heavy Loads

For use with concrete or brick walls, or for use with heavier loads such as TV & HiFi speakers and satellite dishes, etc.