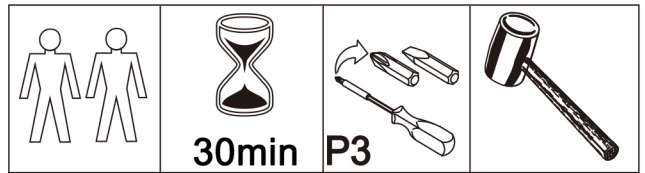


# FR540



Thank you for choosing this furniture.

**BEFORE YOU START ASSEMBLY** please store the carton at room temperature for 48 hours or more so the contents can acclimatise.

**PLEASE RETAIN ALL PACKING UNTIL YOU HAVE COMPLETED ASSEMBLY.**

#### **Information about your furniture.**

This furniture has been carefully crafted from manufactured wood board. Due to the unique characteristics of natural materials the base colour of the boards can vary which may slightly affect the shade of the finished product.

#### **Caring for your furniture.**

Extreme temperature can cause slight movements in the manufactured wood boards so please avoid placing your furniture close to radiators or other direct sources of heat. Humidity should also be avoided.

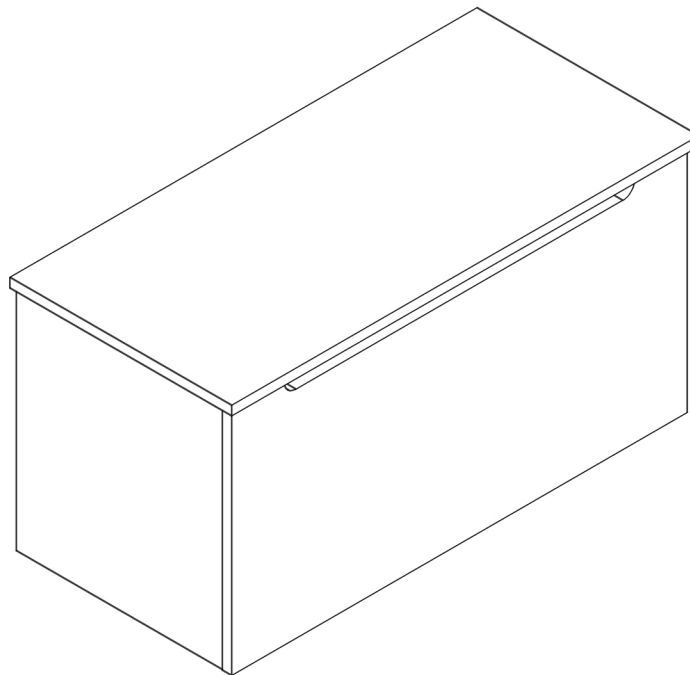
Please avoid exposing your furniture to continued bright sunlight as it can affect the colour.

Any fluid spills should be removed as quickly as possible.

Always lift your furniture when moving as dragging may cause damage to your furniture or flooring.

#### **After care.**

Wipe the surfaces with a dry cloth and an occasional use of a normal household furniture polish. For the models with drawers, we also recommend you use household spray polish occasionally on drawer grooves and runners as this will aid use. Please do not use detergents or chemicals on your furniture.



### **BEFORE YOU START ASSEMBLY**

Please check that you have all the correct parts and fittings as detailed in the Parts List .

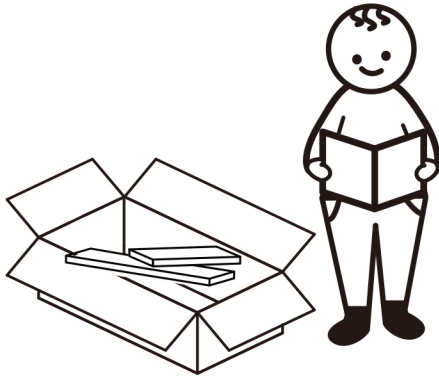
In the unlikely event that you require to order spare parts please refer to your delivery note for details of how to order on our Parts Website.

BATCH NUMBER DAL7508

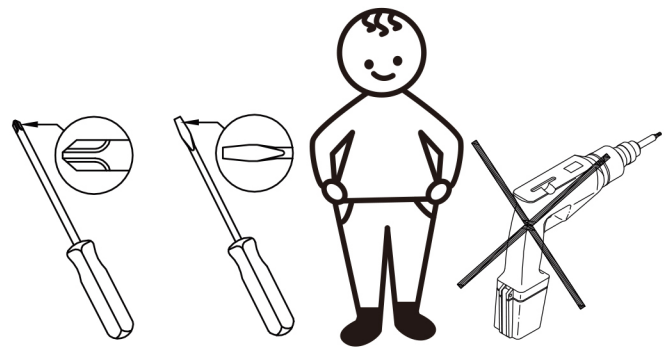
**PLEASE RETAIN THIS INSTRUCTION LEAFLET FOR FUTURE REFERENCE.**

12/25 MANUFACTURED IN P.R.C FOR CORE PRODUCTS, PERTH, UK PH1 3DZ

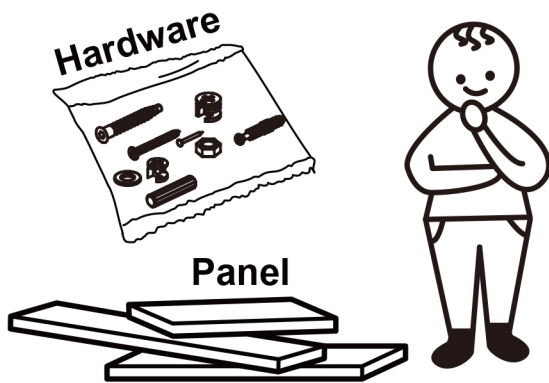
# Assembly Checklist



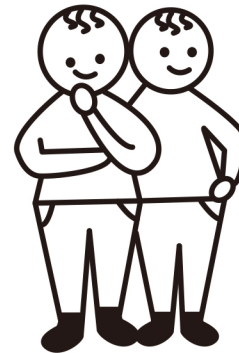
Read through the instructions carefully before you begin.



Make sure you have all the required tools. Never use power tools unless instructed.



Identify and lay out all of the components before you begin assembly.



Two people are required to assemble.

## Useful Information

! Never use power tools unless specifically instructed. They can damage your components or hardware if used incorrectly.

! The most common mistakes made during assembly are using the wrong hardware or getting components back to front.

! Always use a soft surface (such as carpet or cardboard) when assembling your product to avoid scratching or damaging the surface of the product.

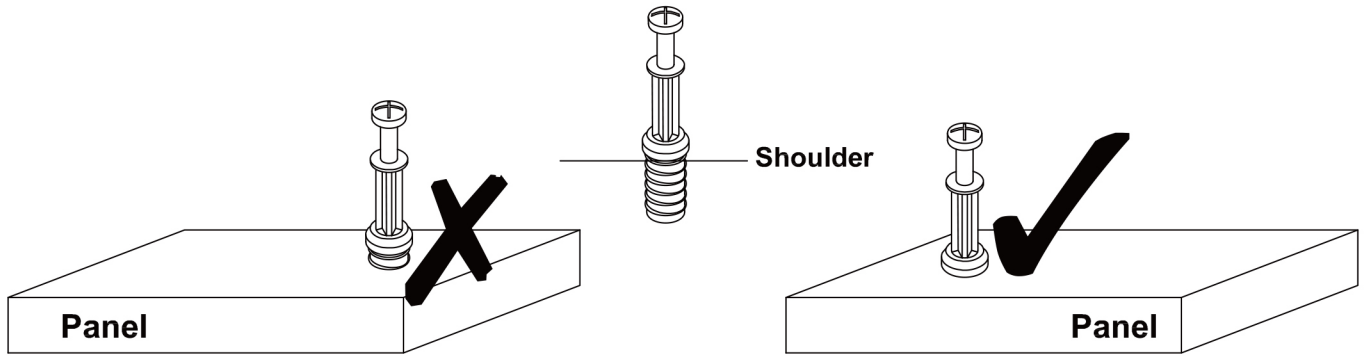
! Bulky items should be assembled in the room they will be used in as they may not fit through a door once assembled.

! Never use any glue until you are certain that the parts belong together.

! Periodically check and re-tighten all fasteners. Check the product care label or website for product care instructions.

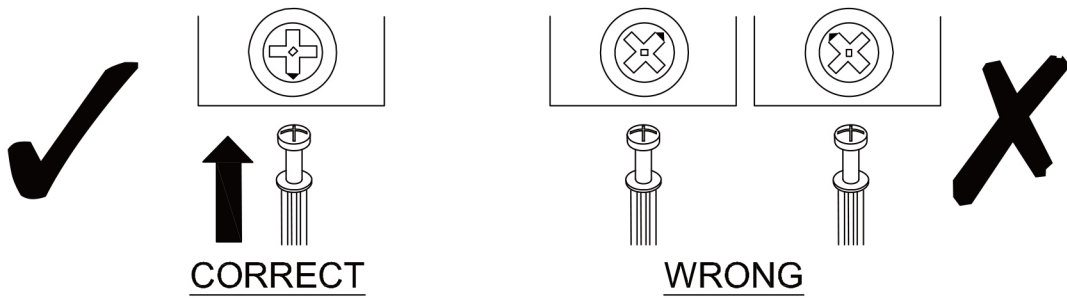
! If you are having any difficulties assembling your product, missing any hardware or components please email us.

# QUICKFIT



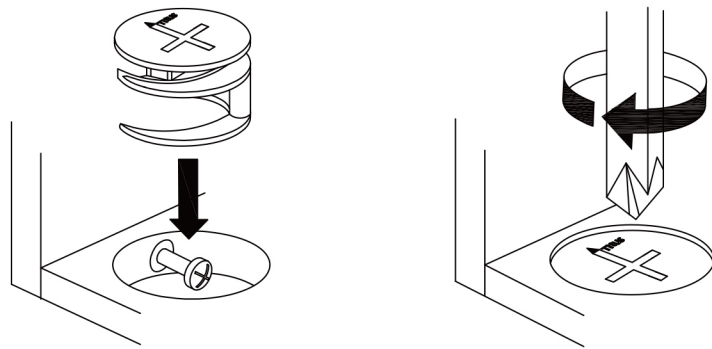
Tighten quickfit until shoulder is flush with panel. Do not overtighten or undertighten.

# CAM LOCK



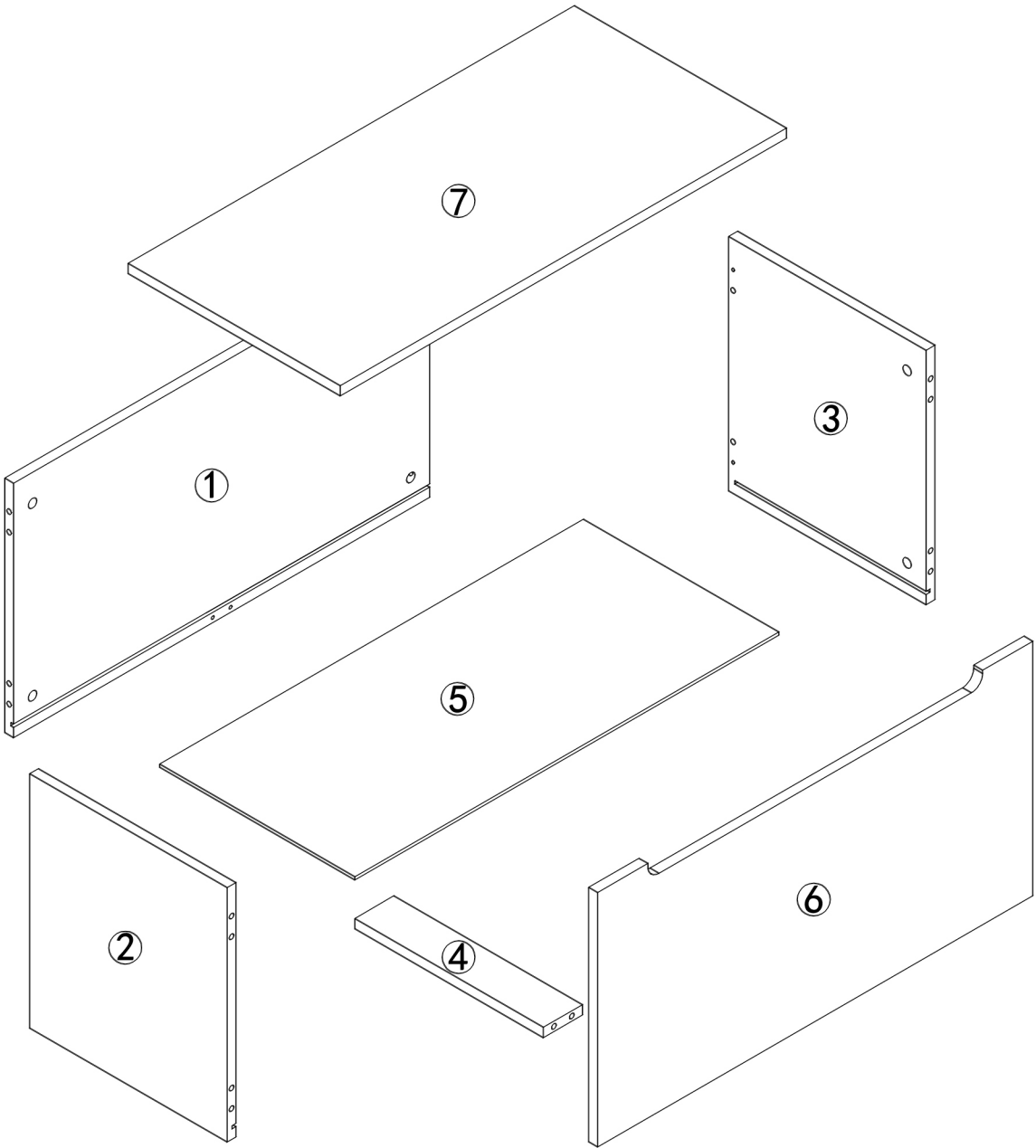
When fitting cam lock, ensure starting position is correct before you insert connecting quickfit.

Quickfit head should be in the centre of the cam lock when the two panels are joined. Cam lock should be inserted before quickfit.




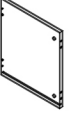
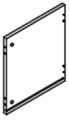
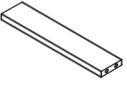
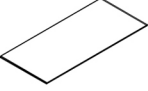
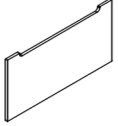
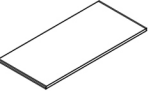
Turn cam lock clockwise to tighten.

# FR540 COMPONENT LIST



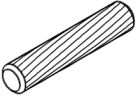
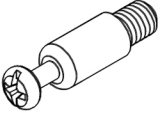
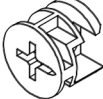
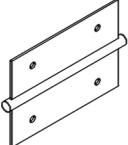
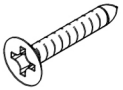
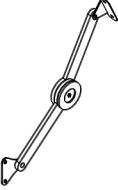

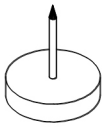
# FR540 Part list

When unpacking, please be careful not to discard any parts with the packaging.  
Before continuing, please make sure you have the following parts:

NO	Description	Qty	Sketch	NO	Description	Qty	Sketch
①	Back panel	1		②	Left side panel	1	
③	Right side panel	1		④	Cross bar	1	
⑤	Base panel	1		⑥	Front panel	1	
⑦	Top panel	1					

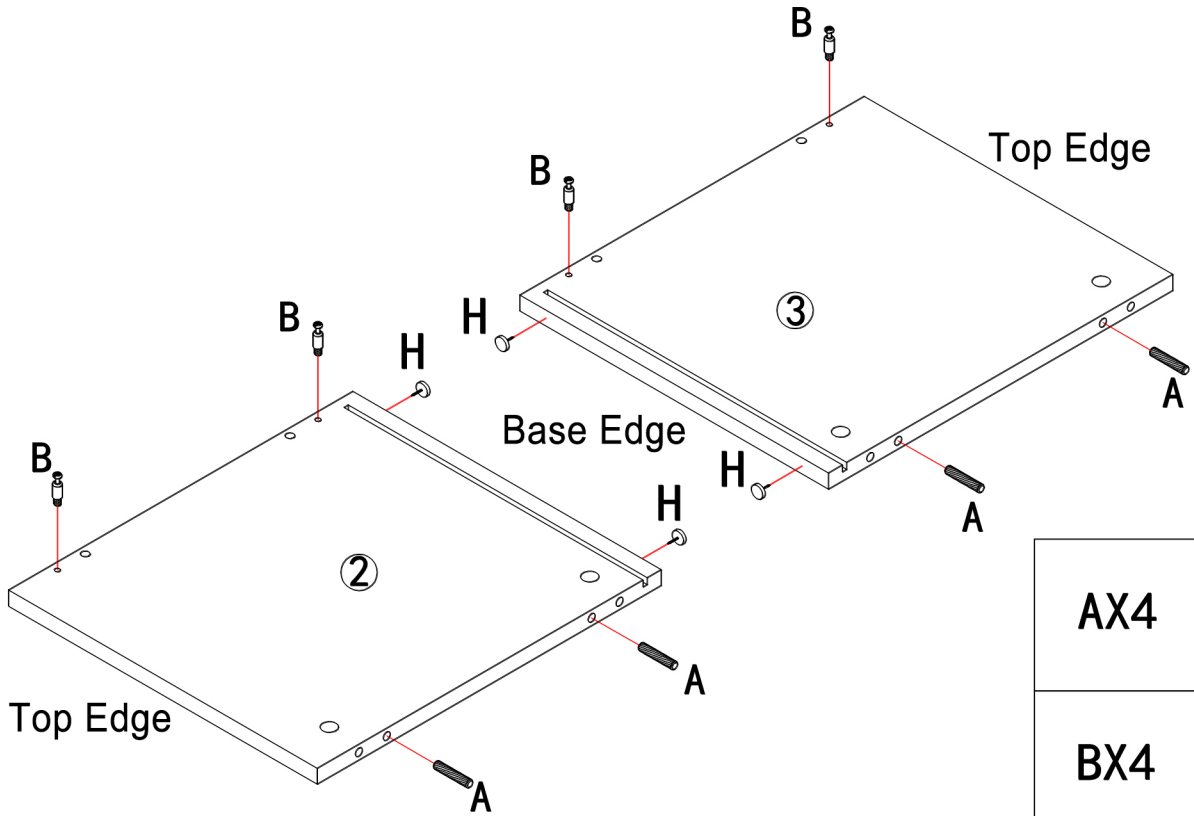
# FR540 Hardware list




When unpacking, please be careful not to discard any parts with the packaging.  
Before continuing, please make sure you have all of the following hardware:

 <b>Wooden Dowel</b> Ax10	 <b>Cam Bolt</b> Bx10	 <b>Cam Lock</b> Cx10	 <b>Hinge</b> Dx2	 <b>Screw</b> Ex12
 <b>Bracing piece</b> Fx1	 <b>Anti-collision sticker</b> Gx2	 <b>Plastic feet pins</b> Hx4		

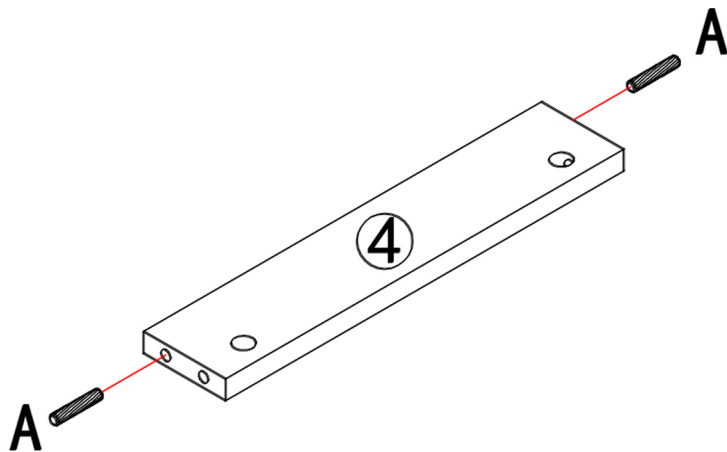
(The hardware quantities listed above are required, For proper assembly some extra hardware may have been included.)

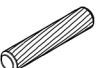
# 01



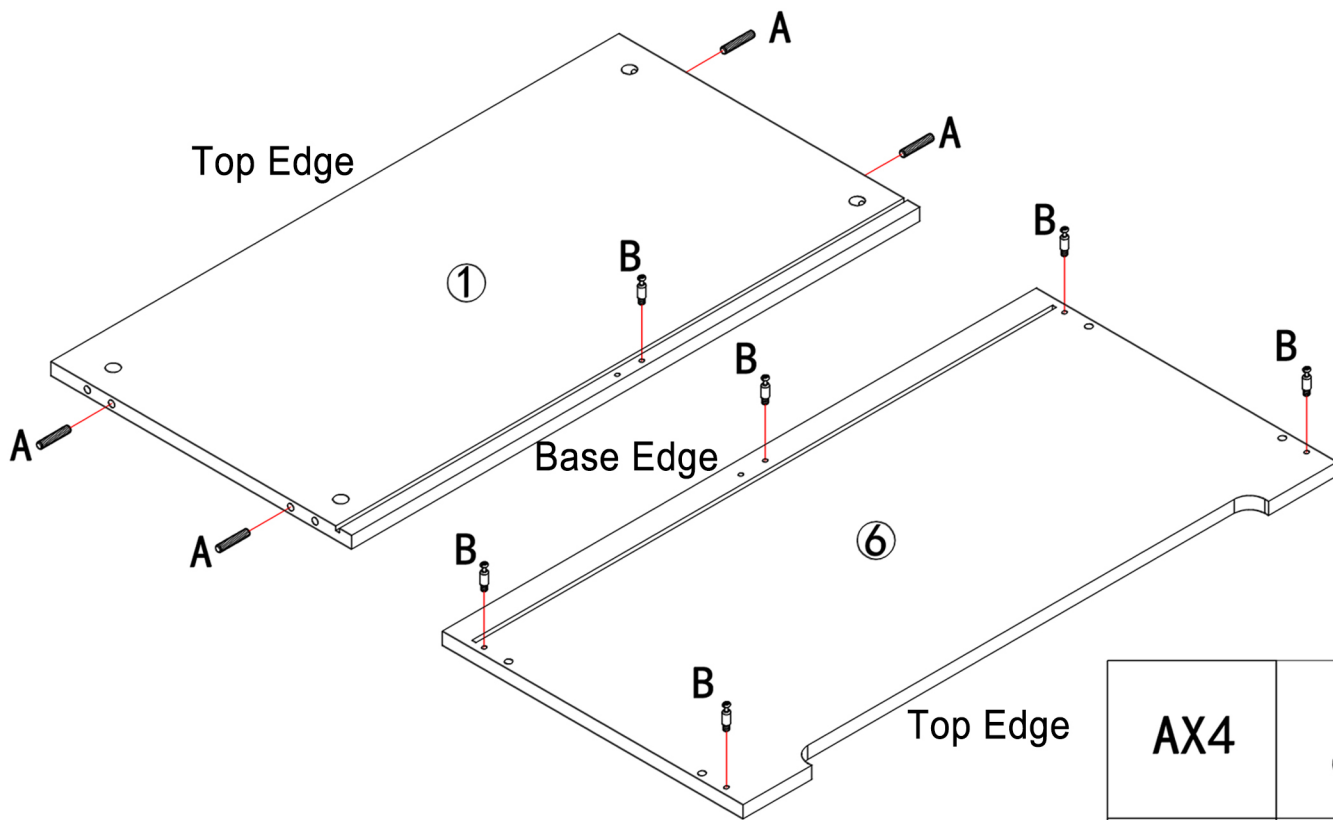
AX4	
BX4	
HX4	

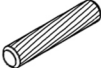

# 02



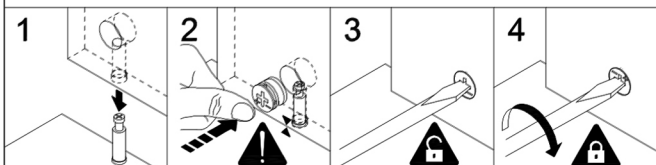
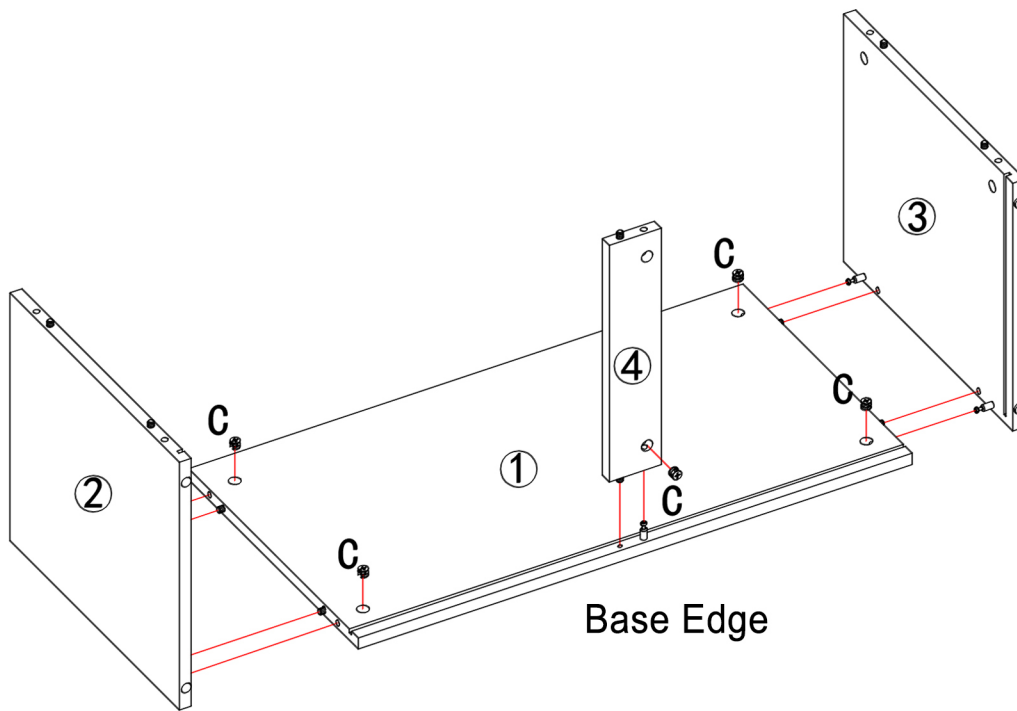
AX2	
-----	---

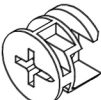
# 03



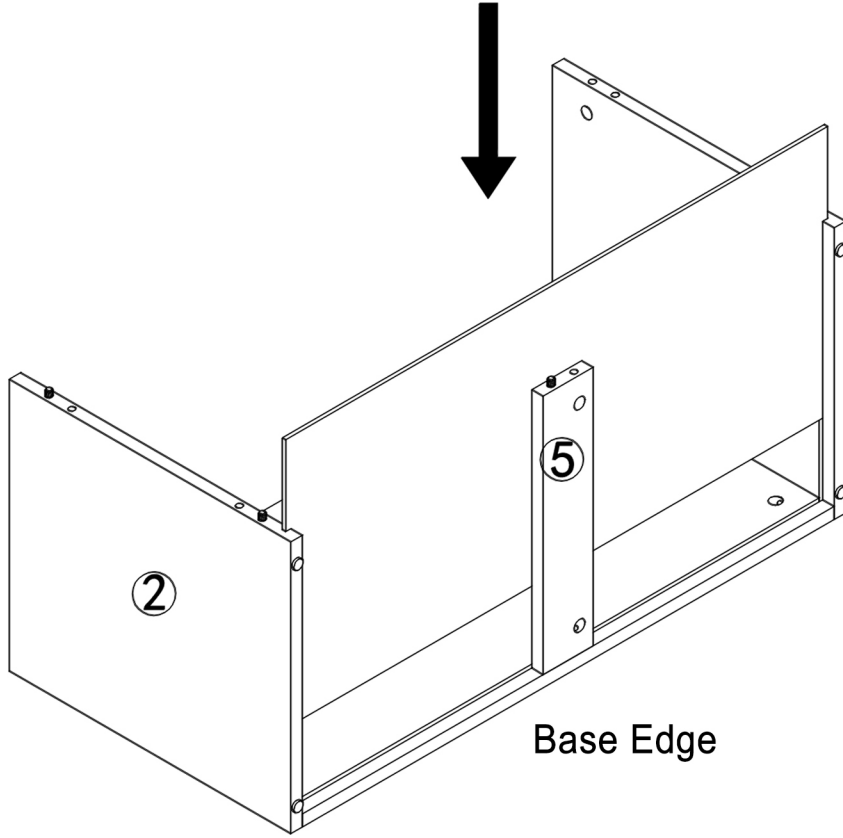
AX4	
BX6	

# 04

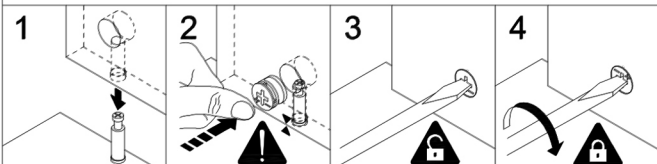
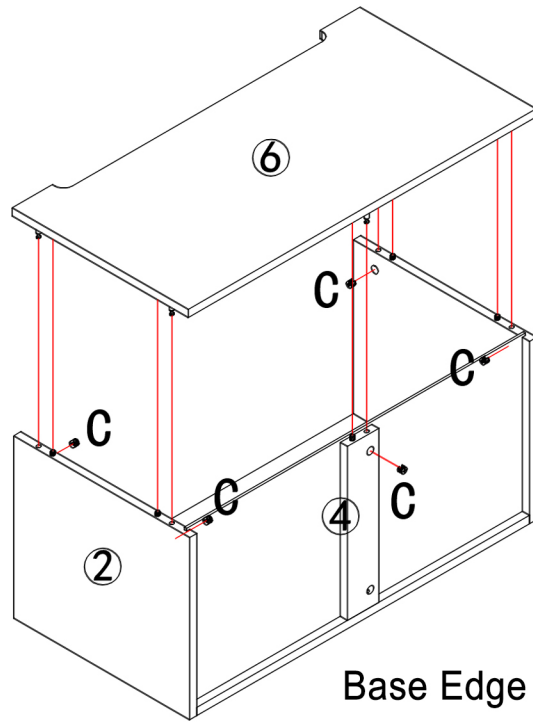


CX5	
-----	---

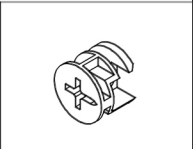
05



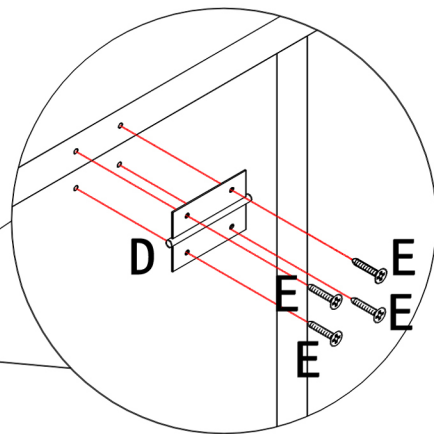
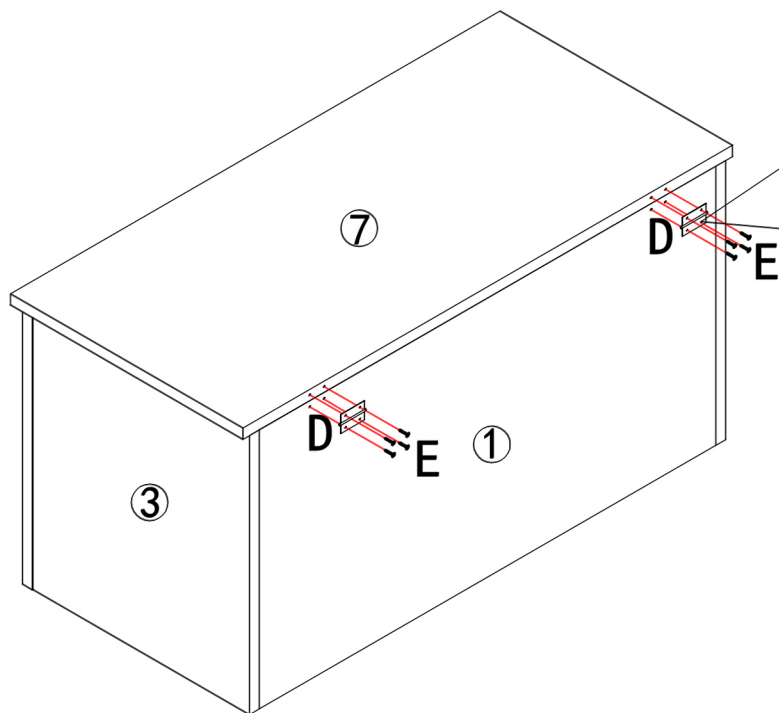
06

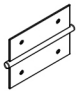



CX5

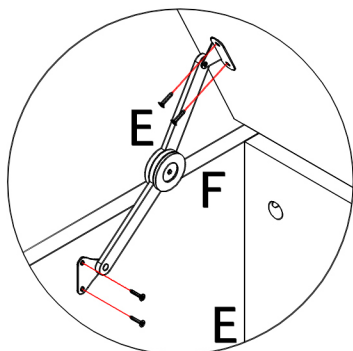
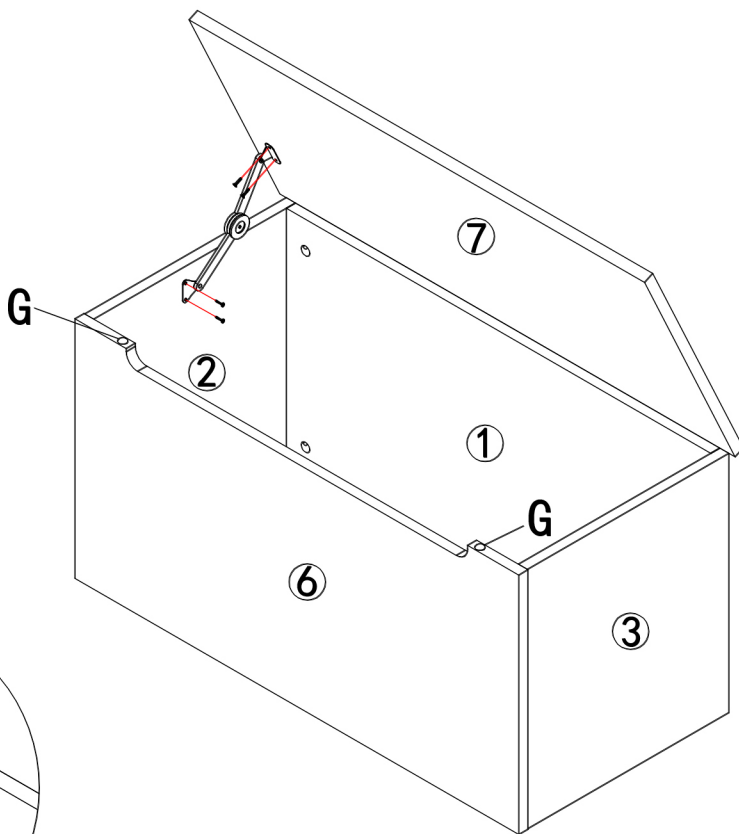





# 07



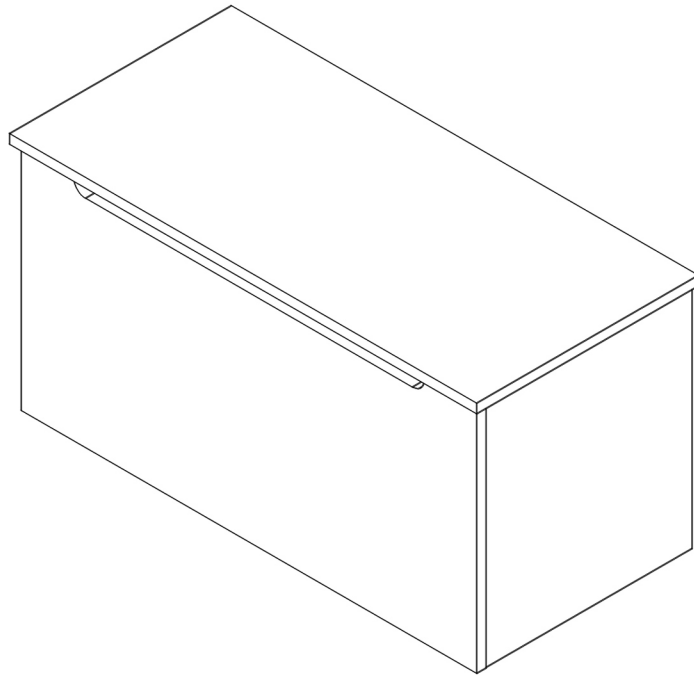
DX2	
EX8	

# 08



EX4	
FX1	
GX2	

09



**DO NOT STAND OR SIT ON THIS FURNITURE**