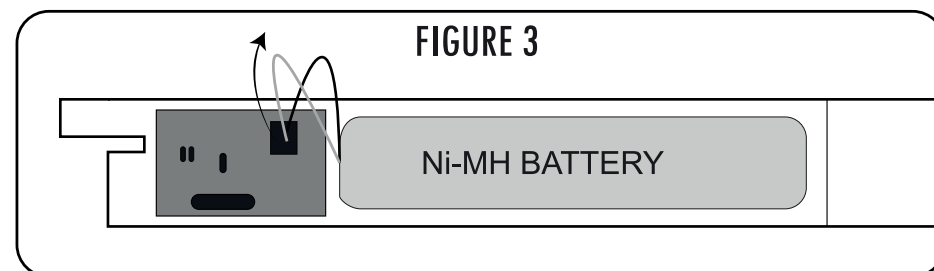
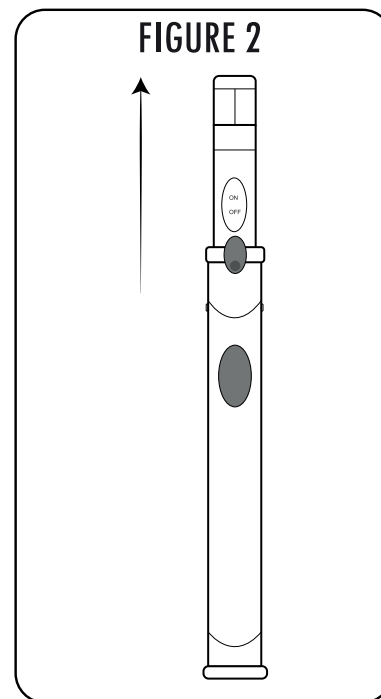
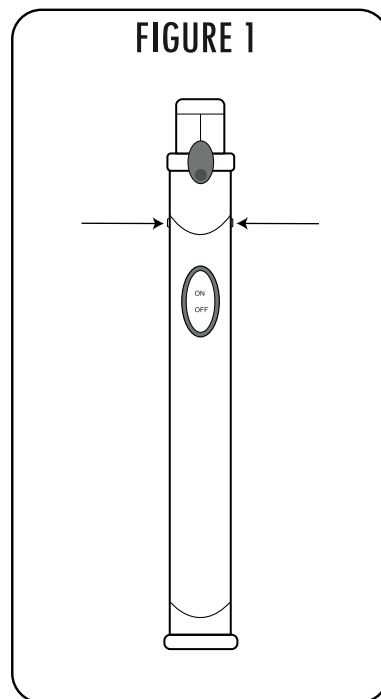


Battery Removal

This product uses a Ni-MH rechargeable battery. When the battery can not be recharged anymore it should be removed from the unit and recycled properly. This battery can not be incinerated or composted.



1. Ensure the unit is turned off and disconnected from mains supply.
2. Using a Phillips head screwdriver, remove the left and right side screws, as shown in Figure 1.
3. Grasp the bottom of the handle and the top part of the unit and pull the battery assembly out, as shown in Figure 2.
4. Peel away the tape, unclip the red and black wires, and take out the battery, as shown in Figure 3.



Fold

Technical information:

Scrubber

Model: TB026
Rated voltage: 8.5V
Rated current: 300mA
Rating: IPX5

Power Supply

Model: JF-DY085030E
Input: 100-240V, ~50-60Hz, 0.2A max
Output: 8.5V \equiv 300mA

Battery

NiMH, 1300 mAh, 3.6V

Guarantee: This product is guaranteed for one year against all defects of workmanship and materials. This guarantee does not affect your statutory rights. For refunds and replacements, please return the item to the retailer where you initially made the purchase. You will be required to provide proof of purchase. If you have any problems or queries about this product, please contact JML customer services.



Distributed by JML

JML, Unit 1 Eastside, Port of Tyne, South Shields, NE33 5SP
Customer Services: UK: 0800 031 9020 (Freephone) • ROI: 041-978 0003 (Local rate)
Email info@JMLgroup.co.uk • Web: www.JMLdirect.com

©JohnMillsLtd/AL/10.23/S000266/E • Made in China

UK CA CE Distributed by JML GmbH Rheinstraße 3,
63225 Langen, Germany



Back

Fold



USER GUIDE



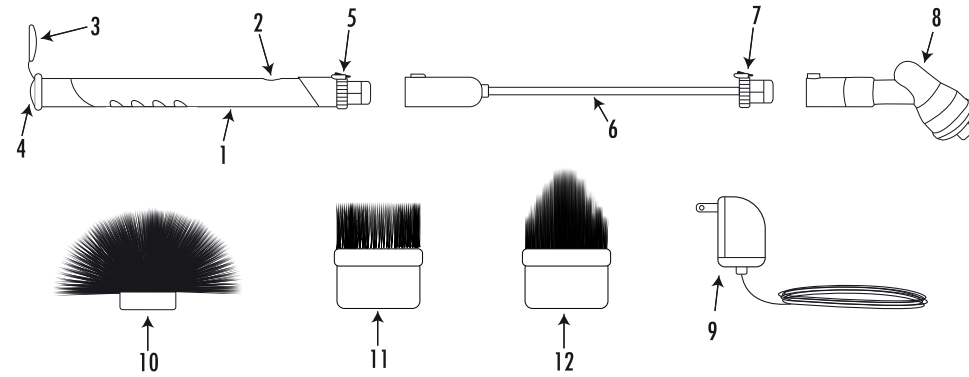
WARNING

- Store out of reach of children. This product is not a toy. Close supervision is required when any appliance is used by or near children.
- To protect against the risk of electric shock, do not put the battery charger in water or other liquids. Do not charge battery if it is wet or shows signs of corrosion.
- Do not use an extension cord. Plug the charger directly in to a standard 100-240V power outlet.
- Do not charge this unit outdoors.
- Do not attempt to use this charger with any other product.
- Do not attempt to charge this product with any other charger.
- If the charging cord is damaged, it must be replaced by the manufacturer.
- Do not use this charger in wet or damp conditions. It is intended for indoor use only. Do not use charger near sinks or tubs. Do not immerse in water.
- Do not abuse the cord. Do not carry the charger by the cord or yank the cord to disconnect. Keep charging cord away from heat and sharp edges.
- Do not allow the cord to hang over the edge of a table or counter or touch hot surfaces. The charger should be placed away from sinks and hot surfaces.
- Unplug the charger when not in use and before cleaning.
- Do not operate adapter if it has received a sharp blow, been dropped or otherwise damaged in any other way. Do not disassemble the adapter for any reason.
- For best results do not charge a battery when it or the air temperature is below 40 F (5 C) or above 105 F (40 C).
- Always store this unit indoors.
- Do not operate in the presence of explosives and/or other flammable fumes or liquids.
- Do not store or use the appliance close to high temperatures.
- If abnormal noise, smell, smoke or any other failure or breakage is found during operation, turn off the switch and unplug it.
- Only charge the unit when it is in the OFF position.
- This appliance is only for household use, not for commercial or industrial use.
- Always use proper eye protection when using this unit with irritating substances. Rubber gloves are also recommended.
- Only change the scrubber heads when the unit is in the off position.
- Keep hair, loose clothing and all parts off the body away from the moving parts of the unit.
- Do not use this unit when the protective charging cover is not in place. Do not submerge the handle in water or other liquids.
- To avoid risk of suffocation, keep all plastic bags away from children.

Front

Fold

PRODUCT INFORMATION



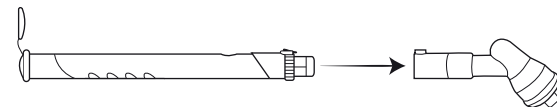
- | | | |
|-------------------|------------------------------------|---------------------|
| 1. Main Handle | 5. Bottom Extension Release Button | 9. Charging Adapter |
| 2. ON/OFF Switch | 6. Extension Handle | 10. Dome Brush Head |
| 3. Charging Cover | 7. Top Extension Release Button | 11. Flat Brush Head |
| 4. Charging Port | 8. Scrubber Head Assembly | 12. Corner Brush |

HANDLE ASSEMBLY

Before assembling any component of this product, make sure the unit is set to the OFF position.

ASSEMBLY WITHOUT EXTENSION HANDLE

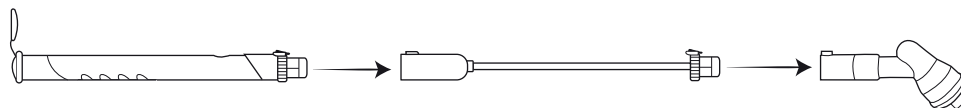
-Connect the Main Handle to the Scrubber Head Assembly until you hear a "CLICK".



ASSEMBLY WITH EXTENSION HANDLE

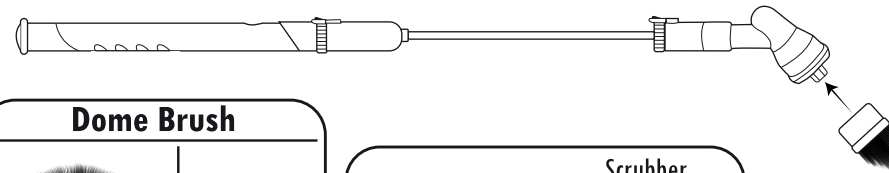
-Connect the Main Handle to the Extension Handle until you hear a "CLICK".

-Next, connect the Scrubber Head Assembly to the extension handle until you hear a "CLICK".



BRUSH HEAD ASSEMBLY

- Firmly hold the Scrubber Head Assembly with one hand and then press the selected scrubber head on until secured.

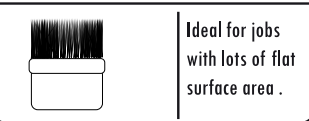


Dome Brush



Perfect all around cleaning brush.

Flat Brush

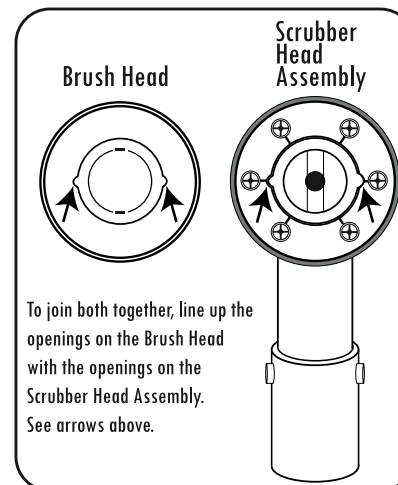


Ideal for jobs with lots of flat surface area.

Corner Brush



Great for cleaning grout, corners and tight places.



To join both together, line up the openings on the Brush Head with the openings on the Scrubber Head Assembly. See arrows above.

OPERATION

CAUTION: Before turning on the brush, make sure to use proper eye wear and gloves to avoid eye and skin contact from splatter.



- Apply water and a cleaning agent to the surface needing cleaning and/or the head of the Hurricane® Spin Scrubber™ brush.
- To start cleaning, turn the button to the ON position while the scrubber head is in contact with the desired cleaning surface. Hold the unit by its handle and gently press the scrubbing head to the surface to be cleaned. Do not press too hard. The product has been specially designed to do all the work.
- Operate Hurricane® Spin Scrubber™ brush only when it is touching the area being cleaned in order to limit spraying of water.
- Cleaning chemicals should be used only in accordance with instructions of manufacturer of the surface being cleaned. Abrasive cleaners should never be used.
- First try the brush on an inconspicuous surface.

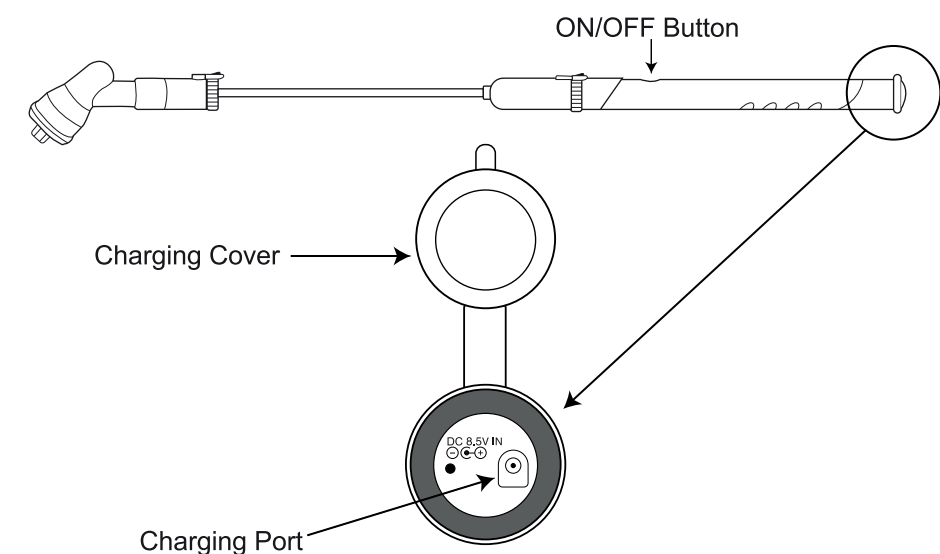
Fold

MAIN UNIT CLEANING

- Clean all surfaces of the unit with a soft cloth.
- Only use a mild detergent to clean the unit. Do not use alcohol-based or abrasive cleaners.
- Aside from the unit's brush head, do not submerge it, or shower it, in water.
- Separate all sections of the unit and allow it to air dry.

CHARGING

- Charging requires that the ON/OFF button be set to OFF.
- Insert the Charging Adapter into the Charging Port located at the bottom of the unit. RED blinking light indicates charging.
- Your first charge requires 8 hours, but later charges take only 6 hours.
- If the unit does not charge, test the wall outlet that you are using with a known working device. Also, if the wall outlet is connected to a wall switch, check and see that the switch is turned to the ON position.
- If the unit's handle feels warm during charging, don't worry this is completely normal.
- Close the Charging Cover once charging is complete.
- Keep the device OFF during the charging process.
- Do not separate the Charging Cover from the device.
- Once fully charged please unplug the unit.



Inside