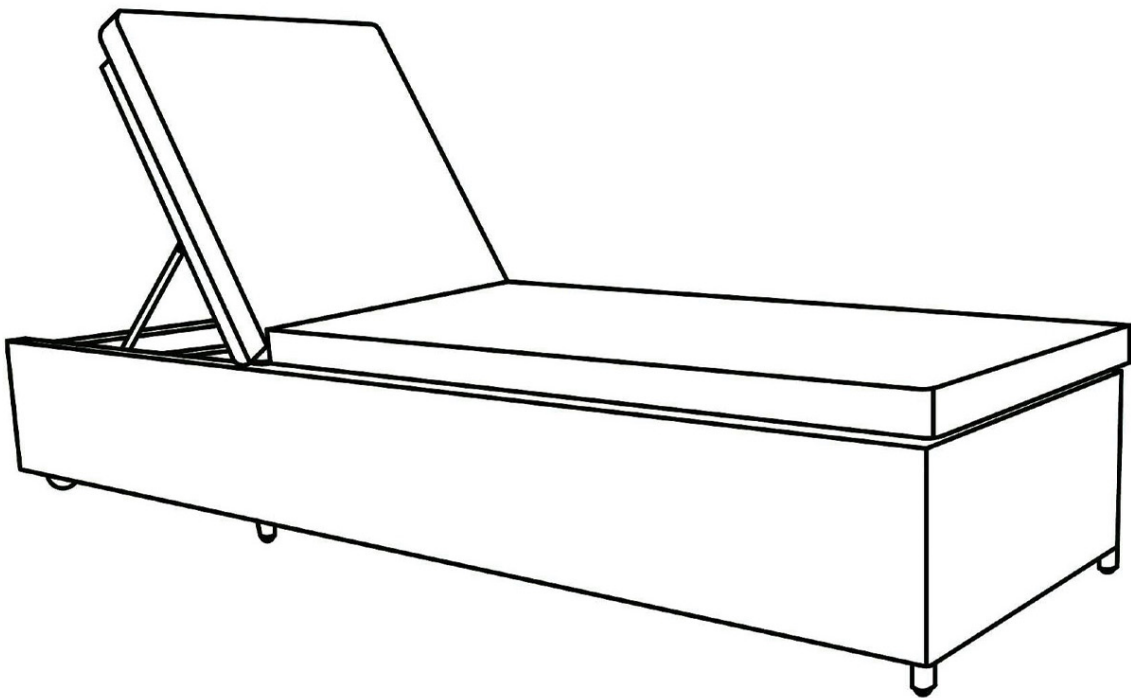


Product size: D208\*W65\*H32cm



**Furniture should be covered/stored whilst not in use to prolong its longevity.  
(It should also be covered in adverse weather. )**

The intended use of this product is for domestic use only.

Important, please retain for future reference.

Read carefully.

# Wentworth Sun Lounger

## Assembly Instructions

### Before you start

This product doesn't need any assembly work.

#### Warnings

##### **IMPORTANT, RETAIN FOR FUTURE REFERENCE READ CAREFULLY**

See enclosed instructions for assembly, safety and care information.

Failure to follow the warnings could result in serious injury.

Handle heavy parts with care.

Ensure that this product is fully assembled as illustrated before use.

This product should only be used on firm, level ground.

##### **Keep small parts out of reach of children.**

This product is intended for **domestic use** only.

Ensure the product is always placed on level ground.

Furniture can be dangerous if incorrectly used. No liability will be accepted for damage or injury caused by incorrect use of this product.

#### Dos

Unwrap all packaging materials and place the components on suitable surface to prevent scratching your product.

Cover furniture when not in use to add additional protection to your product.

Store all cushions indoors after use as they are not waterproof.

During severe weather conditions, including high winds, rain, hail, thunderstorms, extreme heat and cold temperatures, the product should be stored inside in a cool, dry place.

To best preserve the synthetic rattan, please use a protective cover when your furniture is not in use. We would also recommend using a gazebo or parasol over your furniture during the summer period and prolonged sunny spells. This will help prevent harmful UV rays from damaging and discolouring the material.

Ensure that the product is clean and dry before storage.

Clean your product with a sponge and warm soapy water then wipe with a clean, dry cloth.

Cushions should be cleaned following the care instruction on the label.

Where instructions as to the; storage, commissioning, installation, use and maintenance of the goods or (if there is none) good trade practice are not followed and a defect arises this will void the 12 month manufacturer's guarantee on the product.

#### Don'ts

Never tilt the chair during use.

Do not stand on the product.

Do not use power tools to construct this product.

Do not use this product if parts are missing, damaged or worn.

Do not use scourers, abrasives, washing powders, chemical cleaners or any other substances containing abrasives since these substances can damage the product.

Do not use this product as a ladder as this could lead to the product becoming unbalanced and overturning.

Do not place very hot or very cold items on this product surface.

Never drag furniture when moving it, always lift it.

**This is a pre-assembled product.**

**Be careful! This product has folding mechanism, keep your fingers away from folding mechanism to avoid pinching.**

**Ensure the product is always placed firmly on the ground.**

**PLEASE KEEP THESE INSTRUCTIONS FOR FUTURE REFERENCE**

# Wentworth Sun Lounger

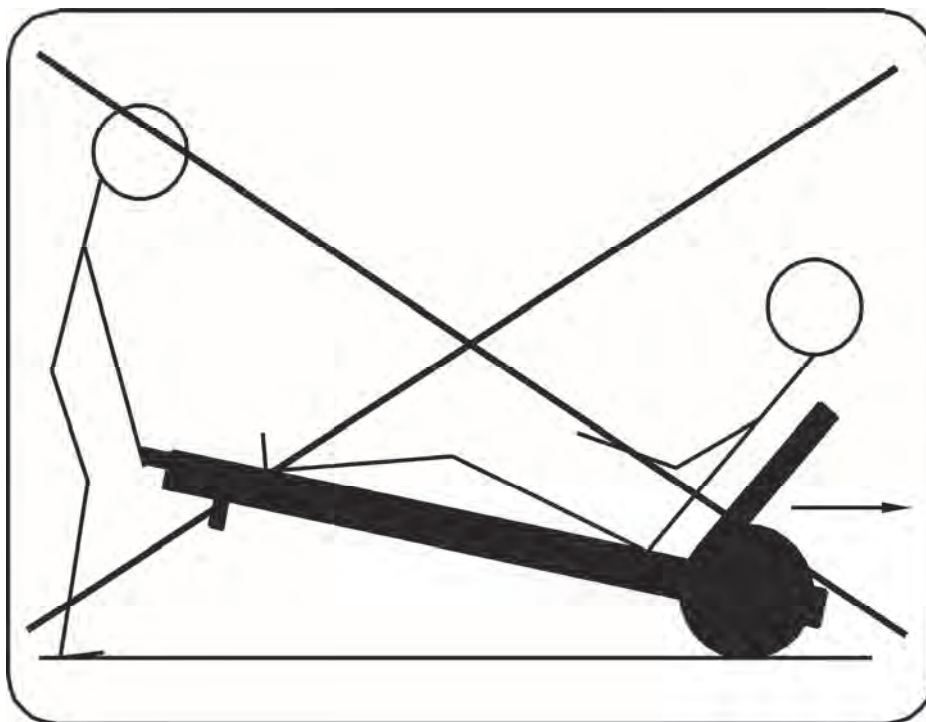
## Assembly Instructions

This is a pre-assembled product.

This lounger has two wheels which are used to conveniently move the product itself only.

Be careful! This product has folding mechanism, keep your fingers away from folding mechanism to avoid pinching.

**This mobile lounger is not intended to be lifted and moved when loaded.**



Ensure the product is always placed firmly on the ground.

**PLEASE KEEP THESE INSTRUCTIONS FOR FUTURE REFERENCE**

