

ASSEMBLY AND OPERATING
INSTRUCTIONS

DUBAI GAZEBO Mocha 3x3m
MODEL: DUBGAZ3X3-Mocha



www.royalcraft.co.uk

Produced in China for A. Mir & Co., Ltd.
© A. Mir & Co., Ltd.

DUBGAZ3X3-Mocha

This Gazebo with curtains should only be used as a sunshade.

Make sure the product is fixed firmly to the ground or have a suitable weighted base to hold them in place. If not secured or weighted down they will move position in high winds.

Please be aware that this product is not a permanent structure and we recommend removing the curtains between October and March. These are the months when the weather will cause damage to the fabric.

Warning

1. It is the consumer's responsibility to comply with any relevant local planning requirements.
2. Two-Four persons are required for assembly. The tools required are a screwdriver or wrench, stepladder and other relevant safety items such as gloves. We recommend the use of protective equipment.
3. This gazebo will take at least 1-2 hours to set up. You must allow enough time to complete the assembly. Do not leave it unattended if not fully assembled, even if bolted to the ground.
 - A. Make sure that all components are in the box. Read instructions carefully before starting the assembly.
 - B. Follow all instructions carefully to assure the strength of the gazebo.
 - C. In order to avoid damage to the gazebo and its components, use appropriate tools. Do not use the structure as a support; a stepladder is recommended.
 - D. Check all screws on a regular basis to maintain the solidity of the structure.
 - E. Keep the instructions and parts list for further use.
- . The screws/bolts to anchor to a wooden deck and concrete patio are not included.

Maintenance

1. In the event that your gazebo needs replacement parts, repairs or you require assistance with regards to assembly; please contact our customer sales team by email info@royalcraft.co.uk
2. For cleaning: Use a mild domestic soap or soft detergent and wash with warm water using a sponge or microfibre fabric. Rinse with clean water.
3. To preserve the fabric (curtains) we recommend the use of a UV protector spray like Fabsil. This will help block the harmful UV rays from damaging the fabric and will also keep the fabric protected from discoloration.

Attention

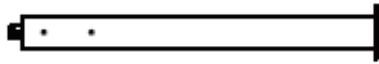
Please do not leave your canopy closed during high winds / rain or winter months as the water will collate on top causing a pool and damaging the structure.

Excluded

1. Damages due to vandalism, abuse and incorrect use of the product are not covered by the warranty
2. Damages due to extreme weather conditions such as thunderstorm, hail and high winds are not covered by warranty.
3. Canopy and/or Curtains will fade in the sunshine, the chemicals that make up the colours within the polyester fabric are broken down by ultraviolet light that is present in the sunshine, this is a natural process and is not covered by the guarantee or warranty. We do try to counteract this process by putting a UV resistant additive to the fabric however this only protects the fabric for a certain amount of time.

Note! This gazebo is meant to be used for decorative and sunshade purposes only and is not meant to withstand all elements of the weather. Please remove all FABRIC during adverse weather conditions.

PARTS LIST:



A x 4



H x 3



B x 4



I x 1



C x 4



J x 4



D x 4



K x 8



E x 4



L x 1



F x 1



M x 1



G x 4



N x 4



O x 8



P x 24



Q x 16



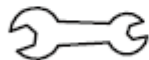
R x 16



S x 8



T x 32



U x 1



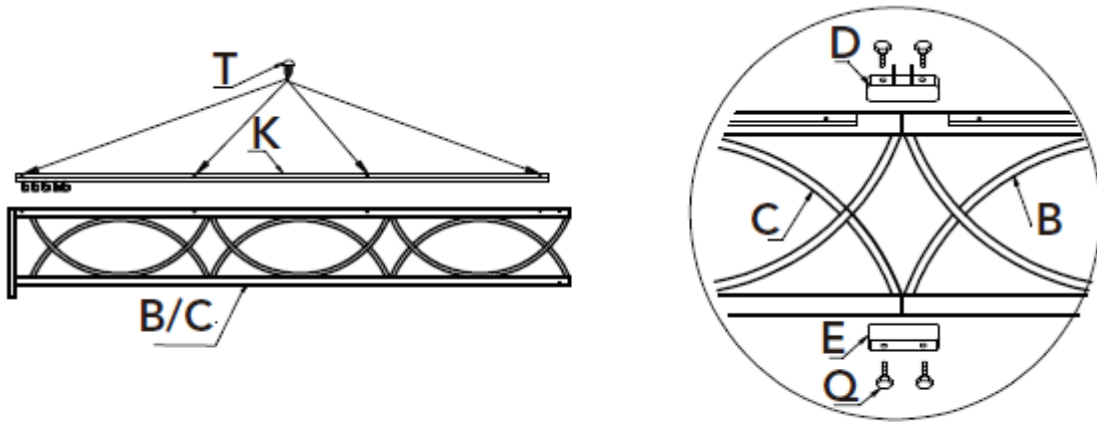
V x 1



W x 1

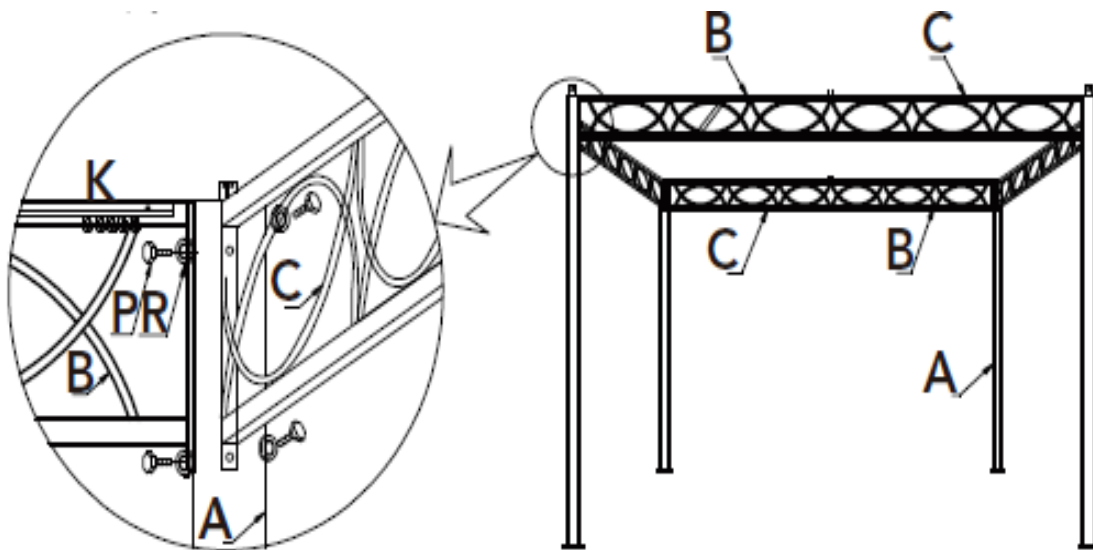
STEP ONE:

- 1A. CONNECT PART K TO PART B/C USING T SCREWS
- 1B. CONNECT PARTS D AND E INTO PARTS B/C USING Q BOLTS



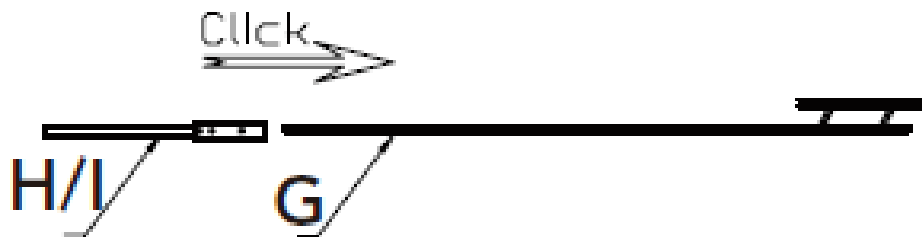
STEP TWO:

- CONNECT PARTS B/C TO PARTS A USING P BOLT AND R WASHER



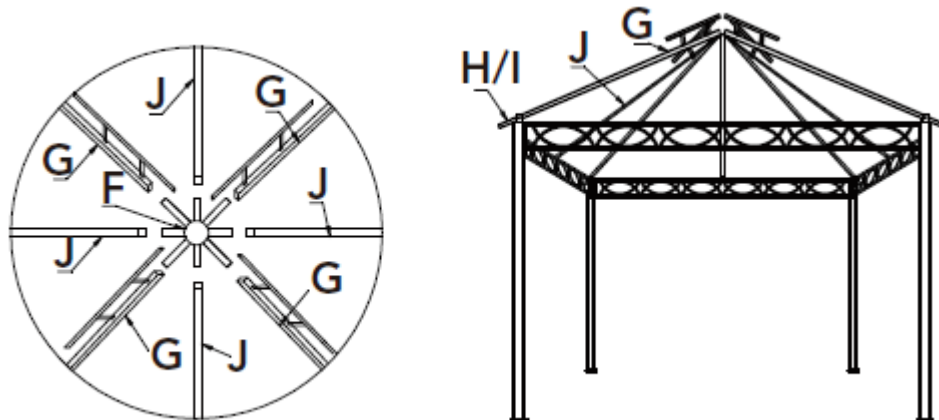
STEP THREE:

CONNECT PARTS H/I INTO PART G



STEP FOUR:

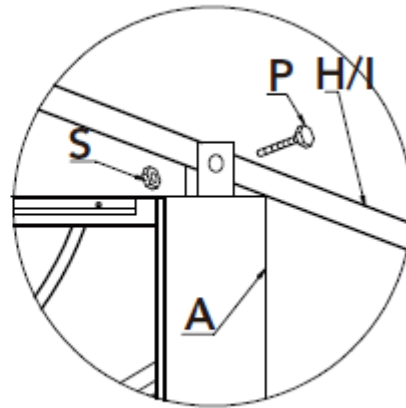
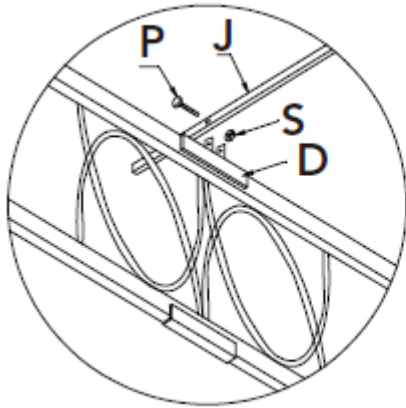
CONNECT PARTS G AND J INTO PART F
AND PLACE ONTOP OF YOUR BUILT STRUCTURE
(AS PER DIAGRAM BELOW)



STEP FIVE:

5A. CONNECT PART J TO YOUR FRAME USING BOLT P AND NUT S

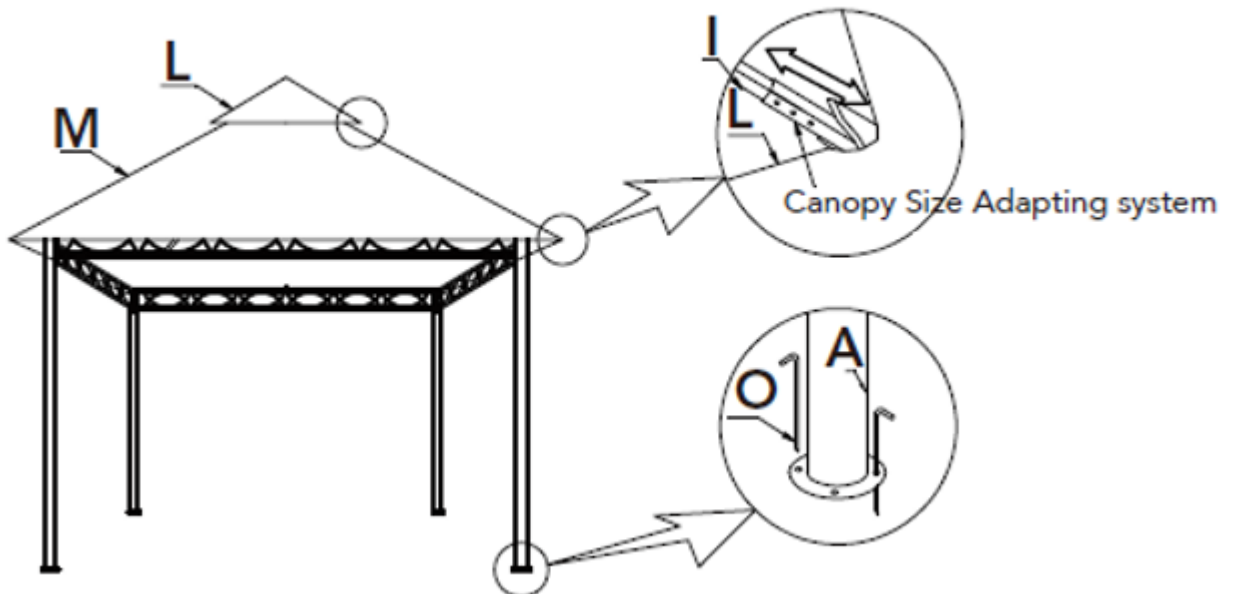
5B. CONNECT PARTS H/I USING BOLT P AND NUT S



STEP SIX:

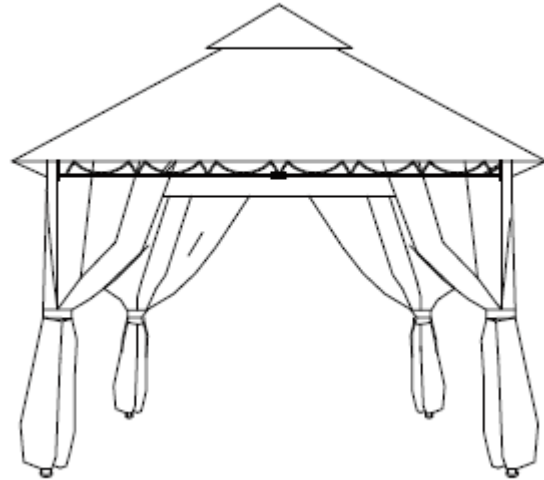
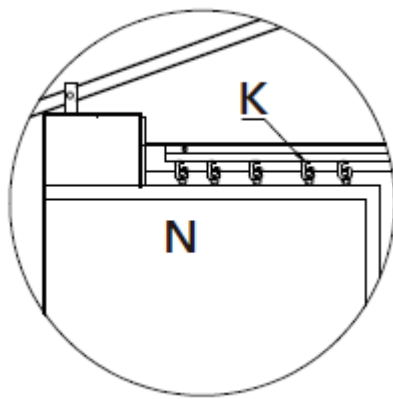
PLACE YOUR CANOPY (PARTS M AND L) ONTOP OF YOUR FRAME. THERE IS ALLOTTED HOLES IN EACH SECTION FOR THE POLES TO SIT INTO. SLIDE YOUR BARS DOWN USING THE ADAPTING SYSTEM OUTWARDS TO MAKE YOUR CANOPY FIT TIGHT.

THEN SECURE DOWN USING PARTS O INTO PART A (APPLICABLE FOR GRASS ONLY – FOR CONCRETE YOU WILL NEED TO PURCHASE SECURING BOLTS)



STEP SEVEN:

CONNECT YOUR CURTAINS (PART N) ON TO PARTS K



CARE INSTRUCTIONS

Please ensure your frame is secured to the ground once built.

Please ensure you remove the canopy and curtains during high winds and adverse weather conditions.

Royalcraft recommends using Fabsil to protect your Gazebo roof canopies & curtains.

It can also be used on cushions & parasols or any material that you leave outside in your garden.

Protects against: UV & gives extra waterproofing protection