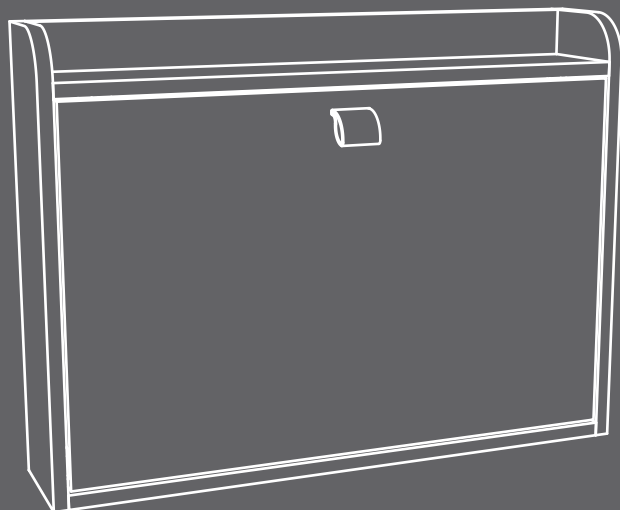


www.teknikoffice.co.uk

**Teknik**



For things 'n such.

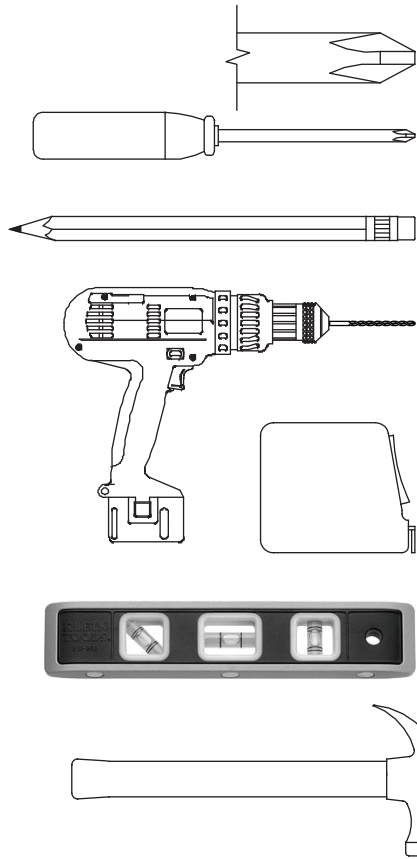
# Avon Leather Handled Wall Desk

Model 5423547

# Table of Contents

# Assembly Tools Required

Part Identification	3
Hardware Identification	3
Assembly Steps	4-9
Français	10-11
Español	12-13
Safety	14
Warranty	15



No. 2 Phillips Screwdriver  
Tip Shown Actual Size

Pencil

Electric drill with 1/8"  
and 3/16" or 6mm bits  
(ONLY in indicated step)

Tape Measure

Level

Hammer

# Part Identification

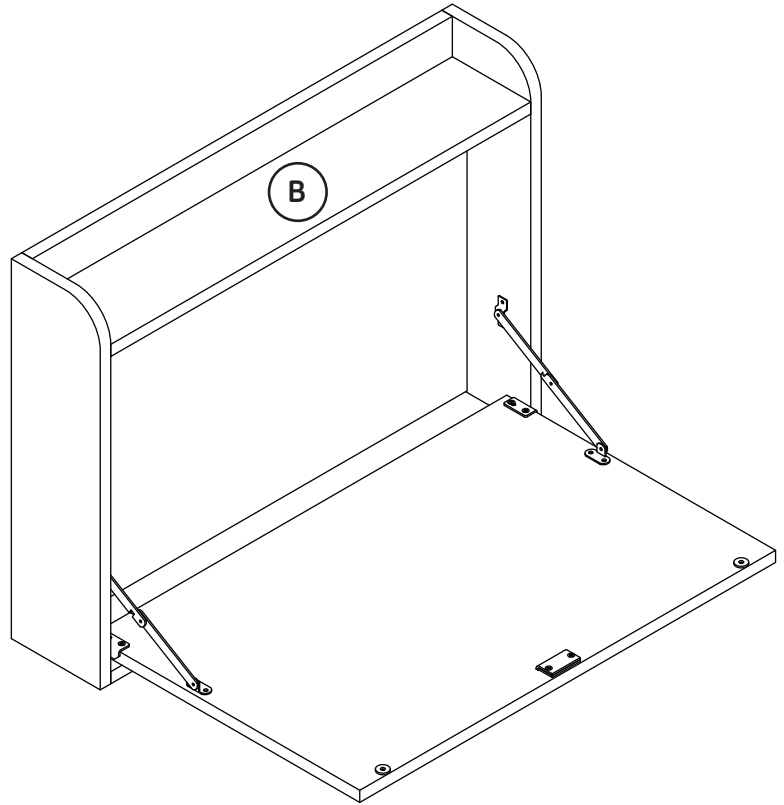
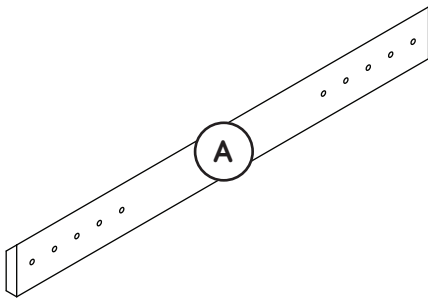
Now you know  
our ABCs.



↑ While not all parts are labeled, some of the parts will have a label or an inked letter on the edge to help distinguish similar parts from each other. Use this part identification to help identify similar parts.

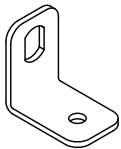
A | WALL SUPPORT (1)

B | WALL UNIT (1)

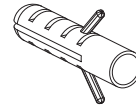


# Hardware Identification

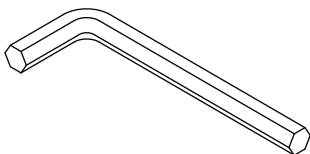
1 METAL BRACKET - 2



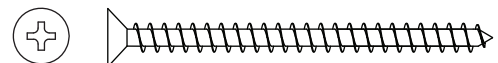
2 DRYWALL ANCHOR - 2



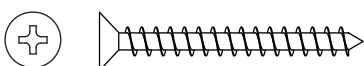
3 L-WRENCH - 1



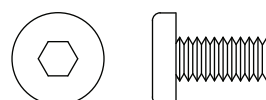
4 SILVER 2" FLAT HEAD SCREW - 2



5 SILVER 1-3/8" FLAT HEAD SCREW - 2

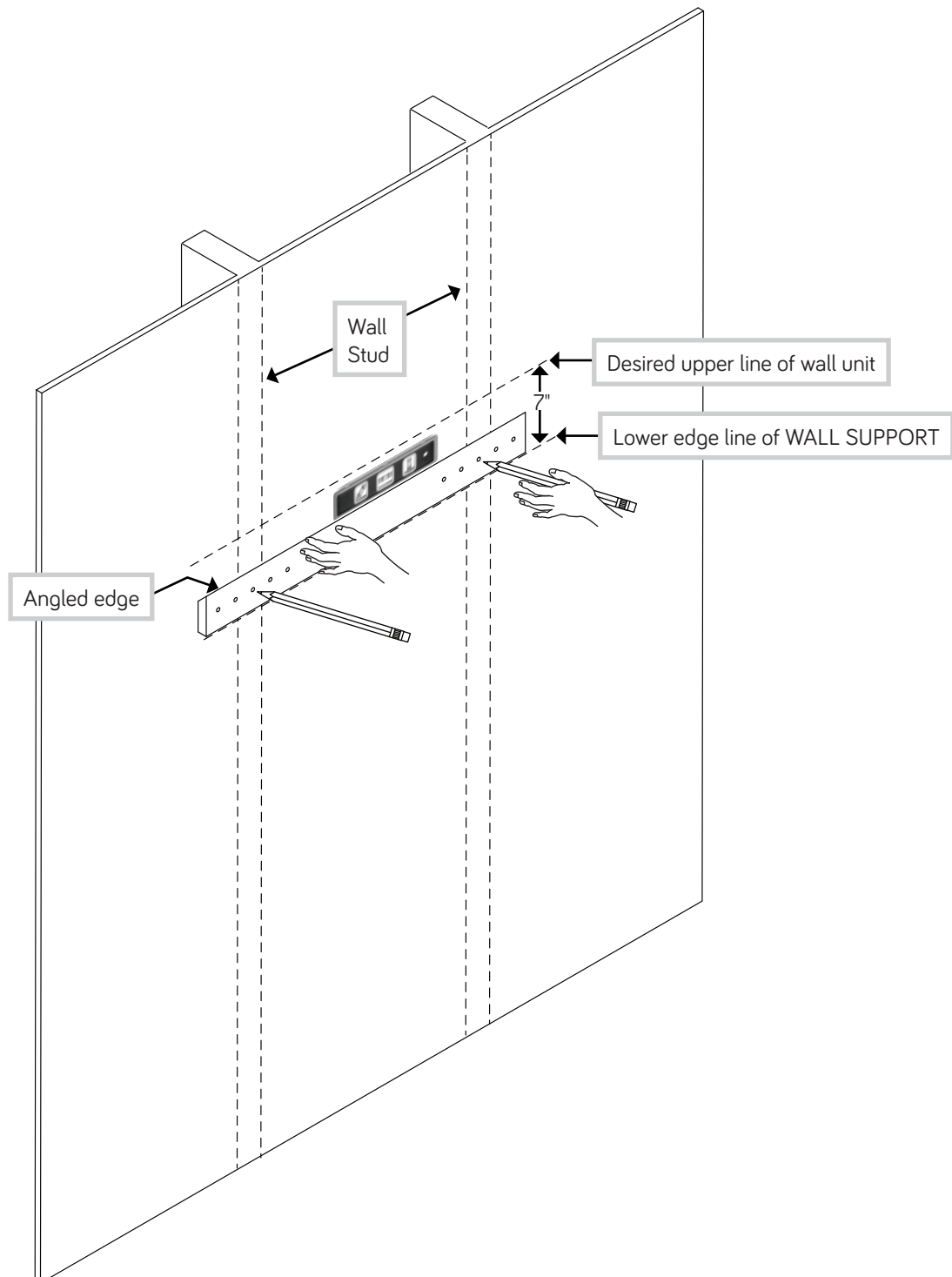


6 SILVER 1/2" HEX HEAD SCREW - 2



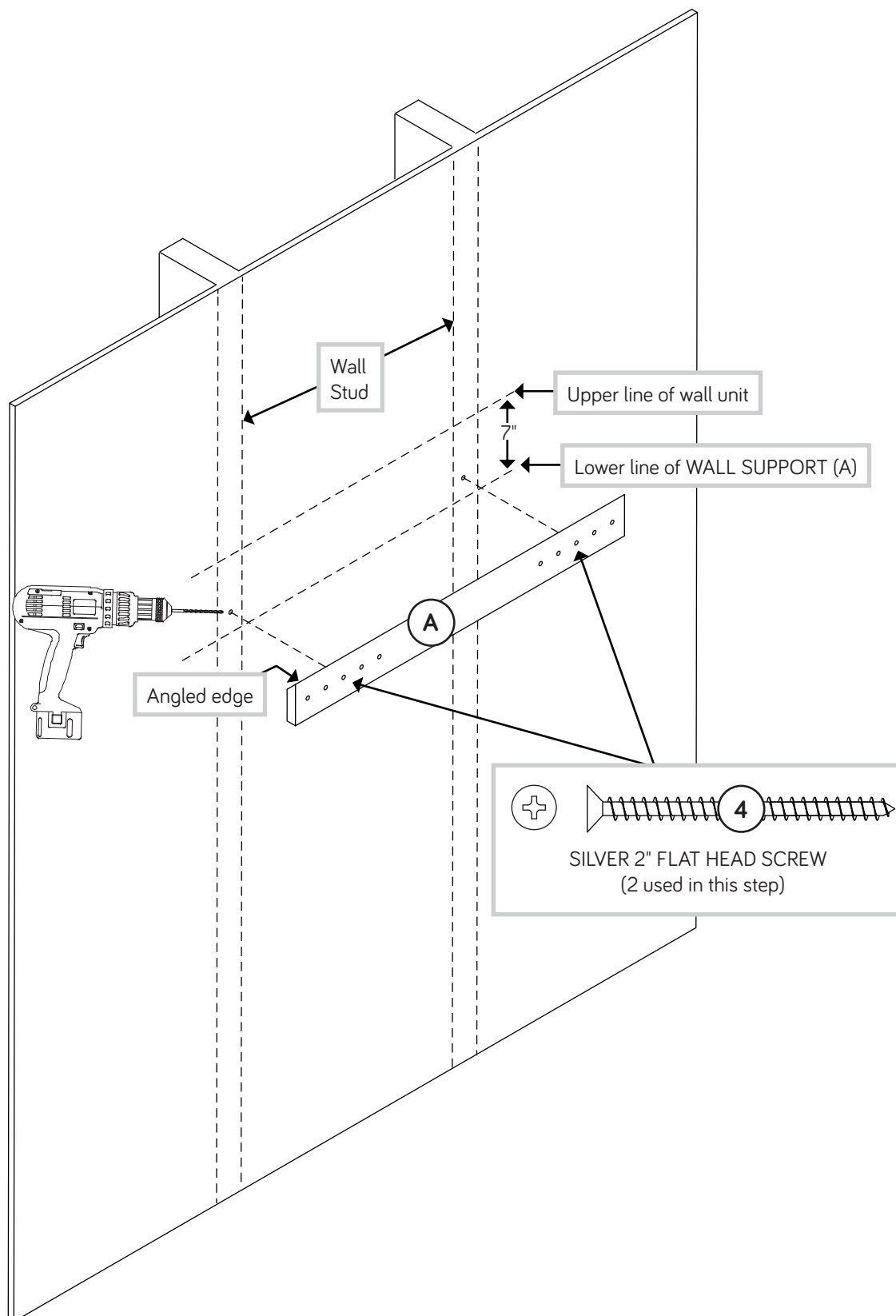
# Step 1

- ✚ Your Wall Desk is intended to be fastened to wall studs using the included hardware.
- ✚ If you need to drywall hang this unit, purchase a drywall anchor which is rated to support a MINIMUM of 80 lbs. Follow the instructions provided with the anchoring hardware.
- ✚ Determine the desired height of the Wall Desk on your wall and subtract 7". Mark this location on your wall. This will be the bottom edge of the WALL SUPPORT (A).
- ✚ Locate and mark the wall stud locations on your wall.
- ✚ NOTE: BE SURE THE TWO MARKS ON THE STUDS ARE LEVEL BEFORE DRILLING.



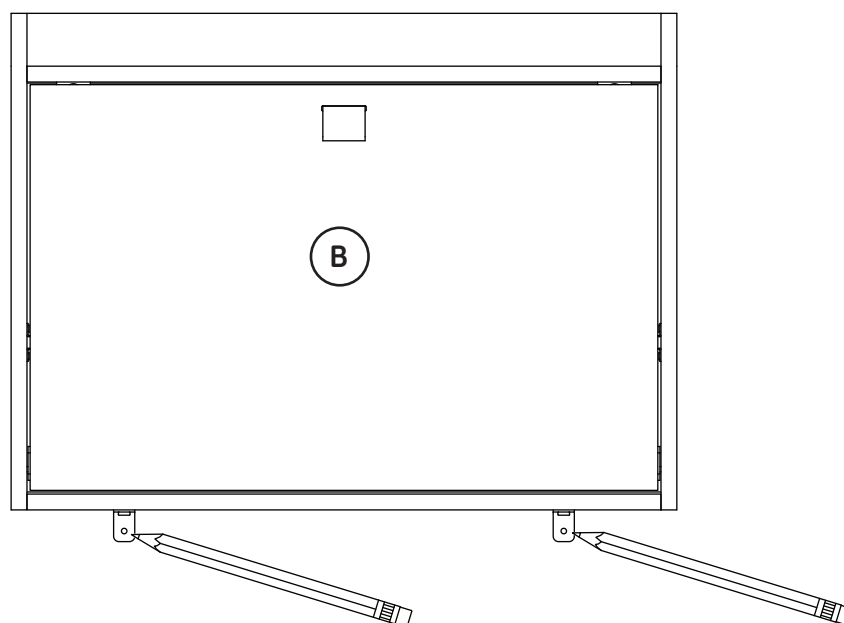
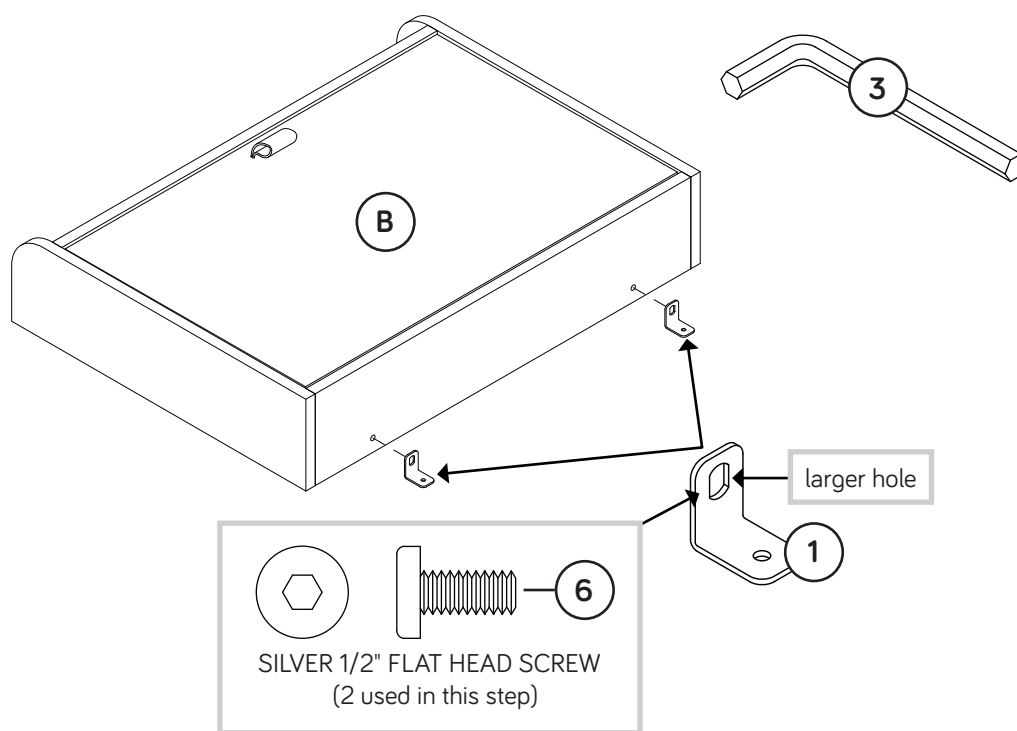
# Step 2

- ✚ Drill a 1/8" hole in your wall at each wall stud location.
- ✚ Fasten the WALL SUPPORT (A) to your wall using two SILVER 2" FLAT HEAD SCREWS (4) into the 1/8" holes.



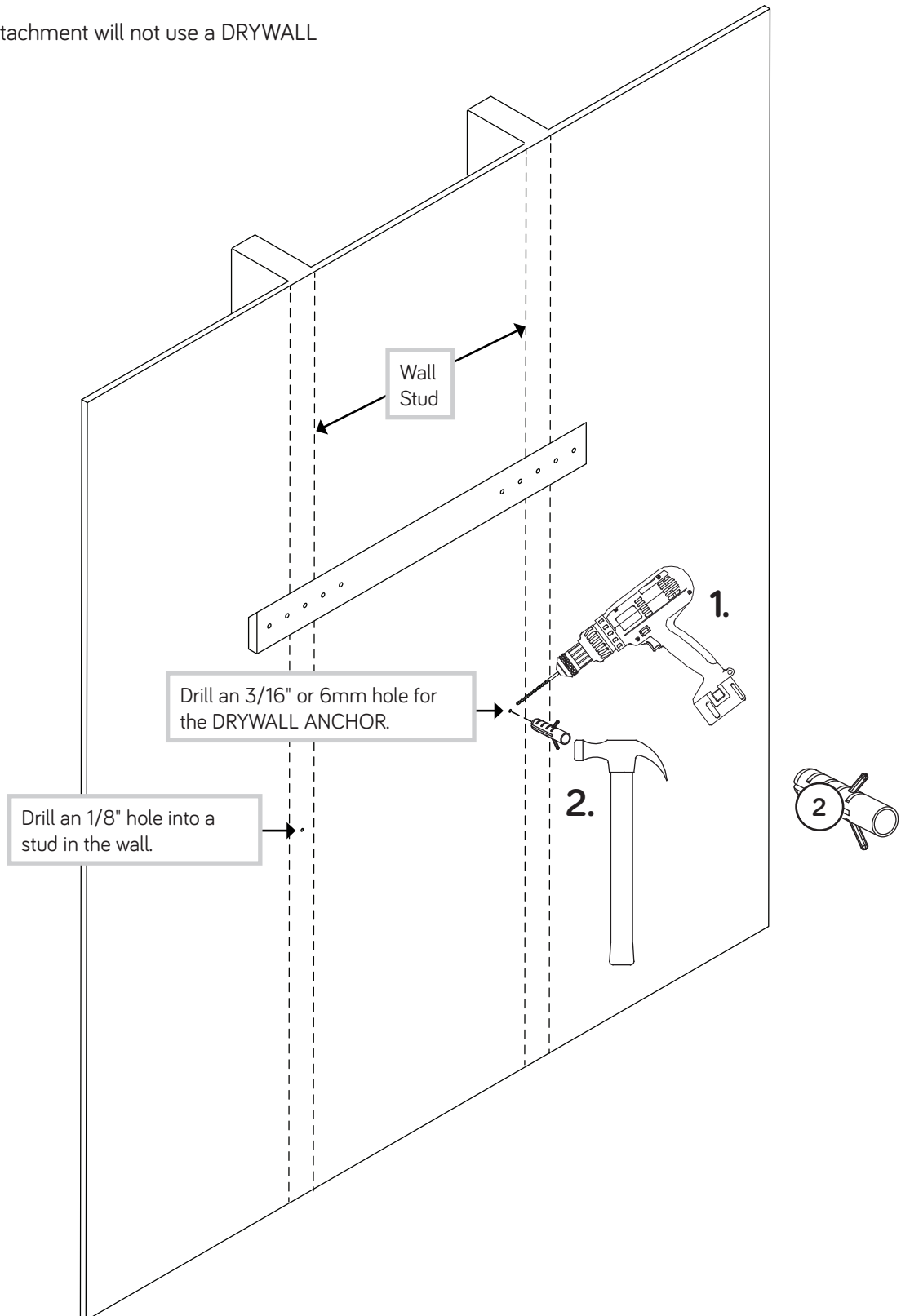
# Step 3

- ✚ Fasten the METAL BRACKETS (1) to the WALL UNIT (B). Turn two SILVER 1/2" HEX HEAD SCREWS (6) with the L-WRENCH (3).
- ✚ Hang your WALL UNIT (B) onto the WALL SUPPORT (A).
- ✚ With a pencil, create a mark onto the wall through the METAL BRACKET holes.
- ✚ Carefully lower your WALL UNIT (B) to the floor.



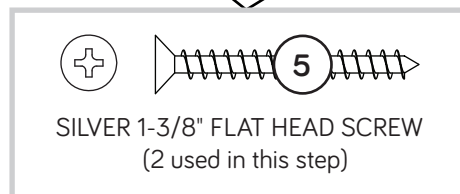
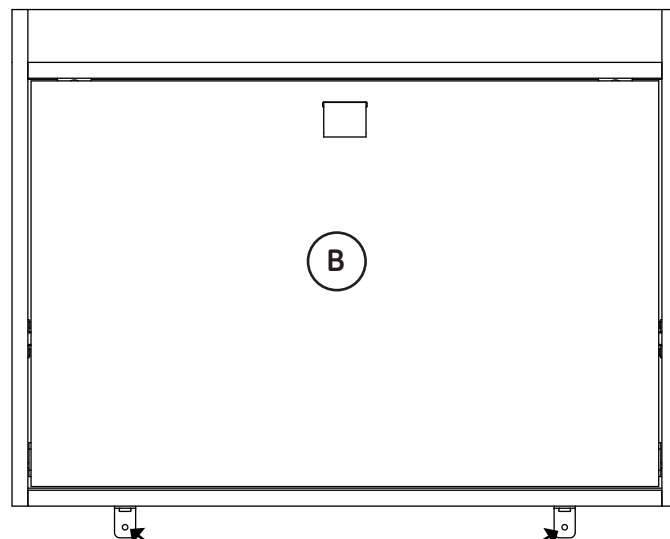
# Step 4

- ✚ 1. On each pencil mark, drill a 3/16" or 6mm hole for the DRYWALL ANCHOR (2) or 1/8" hole into a stud in the wall.
- ✚ 2. Gently tap a DRYWALL ANCHOR (2) into each hole until it is flush with the wall.
- ✚ **NOTE:** Stud attachment will not use a DRYWALL ANCHOR.



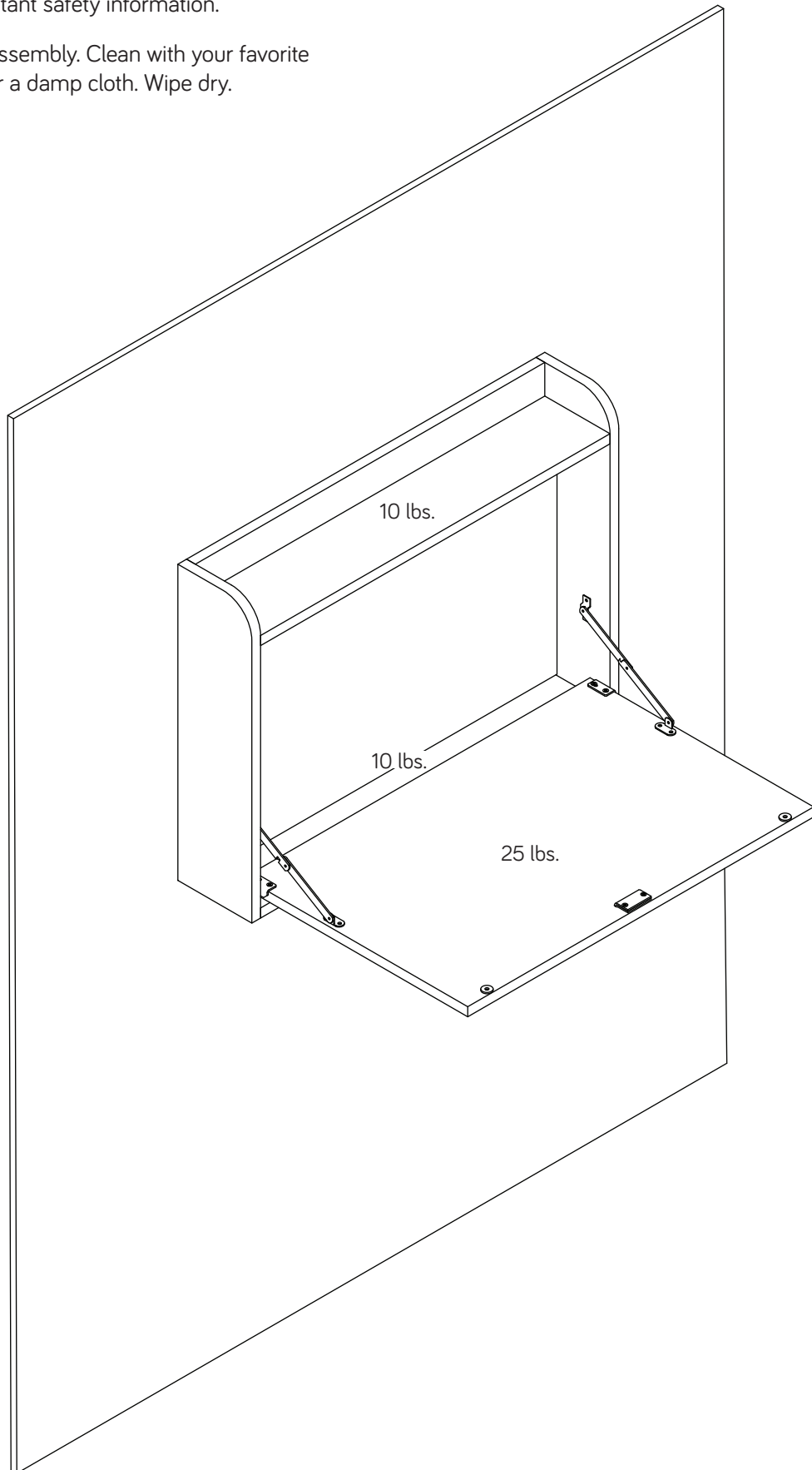
# Step 5

- ✚ Hang your WALL UNIT (B) onto the WALL SUPPORT.
- ✚ Fasten the WALL UNIT (B) to the wall by turning two SILVER 1-3/8" FLAT HEAD SCREWS (5) through the METAL BRACKETS and into the DRYWALL ANCHORS or stud in the wall.



# Step 6

- 📌 **NOTE:** Please read the back pages of the instruction booklet for important safety information.
- 📌 This completes assembly. Clean with your favorite furniture polish or a damp cloth. Wipe dry.



**⚠ WARNING**

Please use your furniture correctly and safely. Improper use can cause safety hazards, or damage to your furniture or household items. ***Carefully read the following chart.***

Look out for:	What can happen:	How to avoid the problem:
<ul style="list-style-type: none"><li>• Properly mounting the unit to the wall.</li></ul>	<ul style="list-style-type: none"><li>• If not properly mounted, the unit can fall from the wall and cause injury and damage.</li></ul>	<ul style="list-style-type: none"><li>• Carefully review and follow the mounting instructions contained in this manual.</li></ul>
<ul style="list-style-type: none"><li>• Overloaded shelves.</li></ul>	<ul style="list-style-type: none"><li>• Risk of injury or property damage.</li><li>• Overloaded furniture can break.</li></ul>	<ul style="list-style-type: none"><li>• Never exceed the weight limits shown in the instructions.</li></ul>
<ul style="list-style-type: none"><li>• Improper use of furniture to support TV's.</li><li>• Placing TV's on furniture items not intended to support them is hazardous.</li></ul>	<ul style="list-style-type: none"><li>• Risk of injury or death. TV's can be very heavy. Plus the weight and location of the picture screen can make furniture tip forward.</li></ul>	<ul style="list-style-type: none"><li>• This product is not designed to support a television.</li></ul>