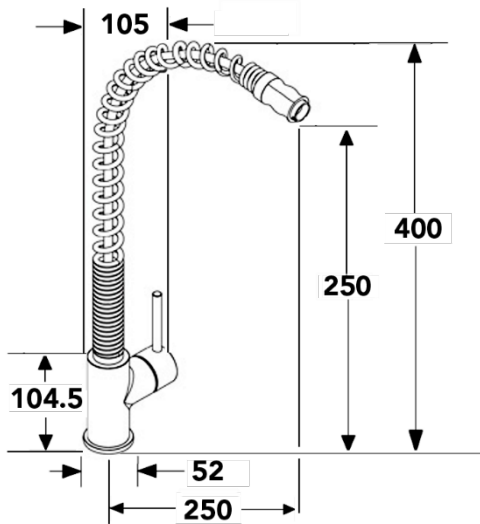


CHEF

4R1119 – KITCHEN MIXER WITH PULL-OUT SPRAY



Specification

Finish	Chrome
Body	Brass
Fittings	Metal plate, washer, stud & locking nut
Connection	M12 - DN8 Flexible hoses with 1/2" BSP thread ends

Min dynamic pressure	0.4
Max dynamic pressure	6
Max static pressure	16
Max water temperature	60°C

Flow rates

Pressure	0.1	0.5	1	3
L/min	1.9	4.3	6	10.6

All Pressures in Bar. All flow in L/Min.
 Dimensions supplied are nominal and subject to tolerance.
 Inclusion of aerator (if supplied) or restrictors (sold separately unless stated) will affect flow rate result.
 Performance details are based on trials under test conditions and for guidance only.
 The Company reserves the right to change product specification without prior notice.

Certifications

<i>Tested at 3 bar</i>	

Features & Benefits

5 YEAR Guarantee	H High Pressure	Flexible Hose	Single Flow
Flow Aerator			



Unit C6, William Way, Moss Ind Est, St Helens Rd, Leigh. Lancashire. WN7 3PT