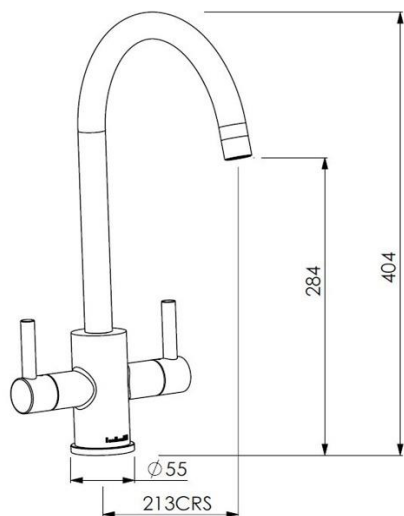


Technical Specification Sheet

GENESIS CH

4R1130

Dual lever monobloc sink mixer



Specification

Finish	Chrome
Body	Brass
Fitting	Metal plate, washer, stud & locking nut
Connections	M12 – DN8 flexible hoses with ½" BSP threaded ends
Spout Rotation (°)	360

Dimensions

Tap Hole Size (mm)	35
Height (mm)	404
Base Width (mm)	55
Reach (mm)	213
Weight (kg)	2
Box Dimensions (mm)	485 x 300 x 85
Packed Weight (kg)	2.2

Bar Pressure

Minimum Pressure	0.1
Maximum Pressure	6
Maximum Static Pressure	16
Maximum Temperature (°C)	60

Flow Rates

@ 0.1 bar	@ 0.5 bar	@ 1 bar	@ 3 bar
2.6 L/m	12.3 L/m	18.5 L/m	30.3 L/m

Additional Features/Benefits

- Single Flow
- Flow Straightener
- Flow Aerator
- Low Pressure

EAN number 5022050163608

Warranty

10 Year Warranty (Casting Only)

Care & Maintenance

Reginox recommends cleaning your tap regularly with non-abrasive cleaners. Warm, soapy water would be best.

All pressures are in bar.
Dimensions supplied are nominal and subject to tolerance.
Inclusion of aerator (if supplied) or restrictors (supplied separately) will affect flow rate result.
Performance details are based on trials under test conditions and are for guidance only,
The manufacturer reserves the right to change product specification without prior notice.

Certifications



1711120 - Nov 22



Tested at 0.2 bar