

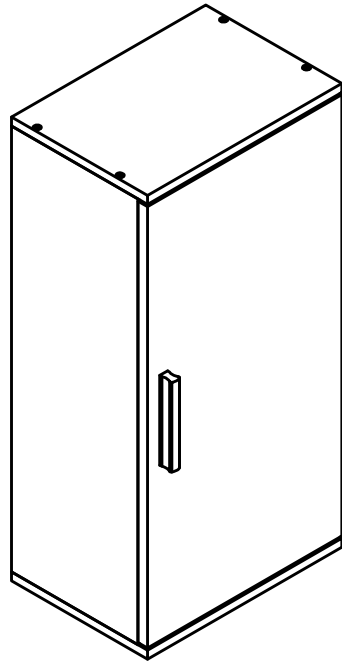


Bathroom Accessories of Distinction

## **Nola Wall Cabinet**

# Assembly instructions

Thank you for buying the Nola Wall Cabinet  
Please read all instructions carefully before attempting assembly.



# Assembly instructions

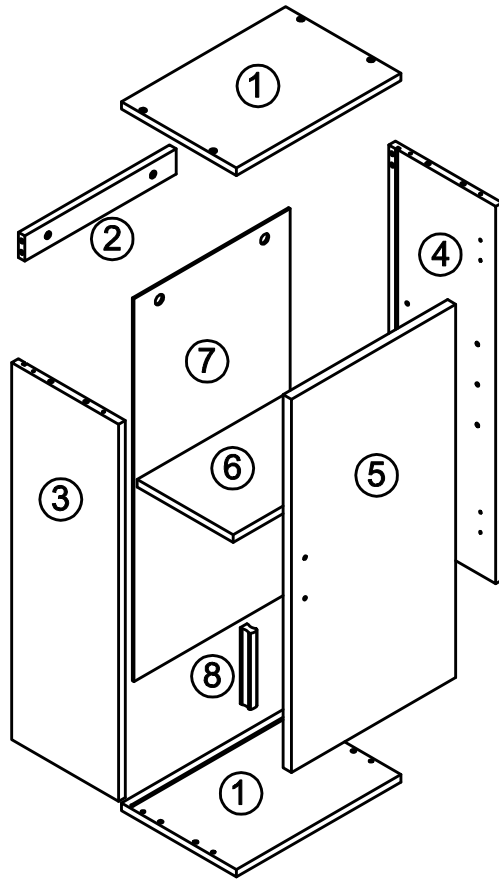
Item no.	Reference Image	Qty.
①		×2
②		×1
③		×1
④		×1
⑤		×1
⑥		×1
⑦		×2
⑧		×1

Item no.	Reference Image	Qty.
Ⓐ	Ø4x35mm	×8
Ⓑ	Ø4x25mm	×2
Ⓒ	Ø6x30mm	×12
Ⓓ	Ø4x12mm	×8
Ⓔ		×4
Ⓕ		×2
Ⓖ		×2
Ⓗ	Ø4x50mm	×2
Ⓘ		×2

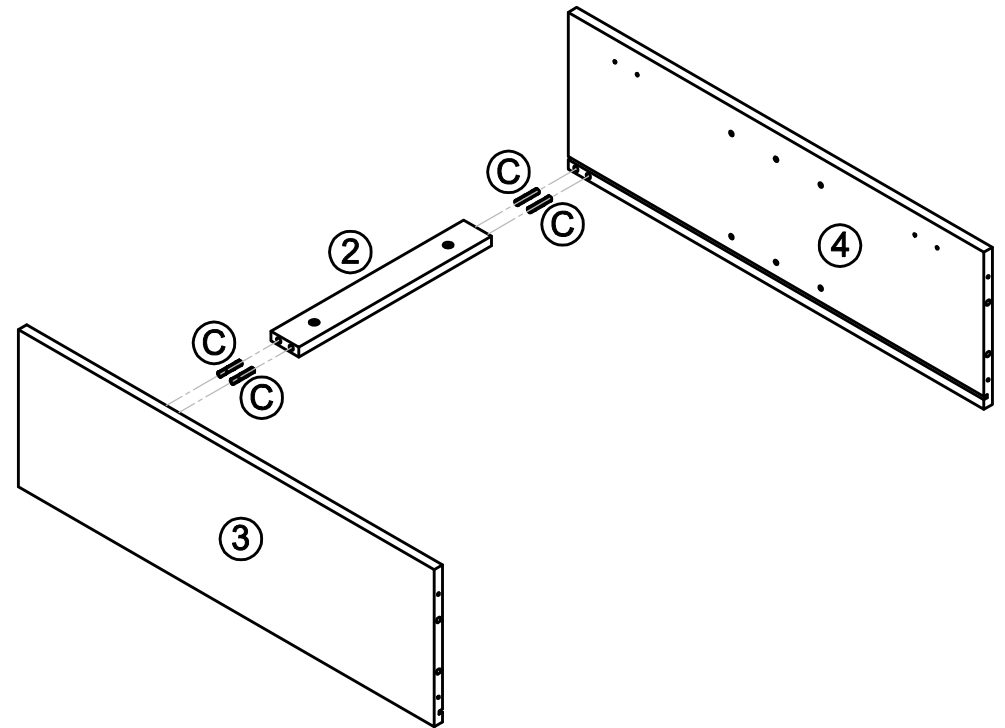
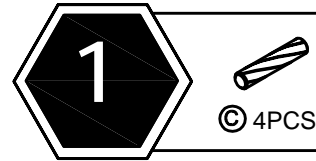
# Assembly instructions

# Assembly instructions

## Explosion Diagram

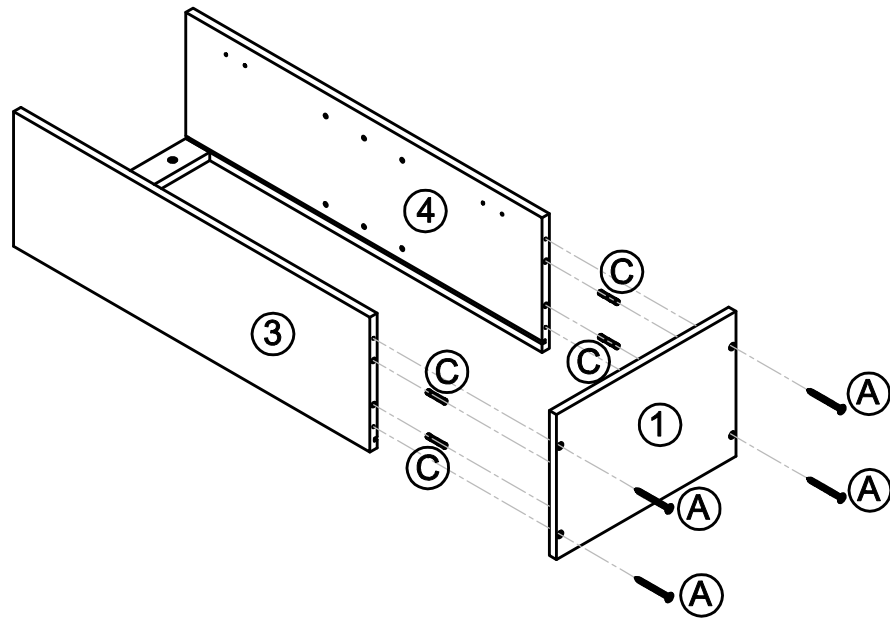
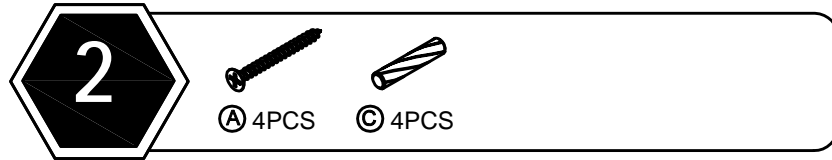


4



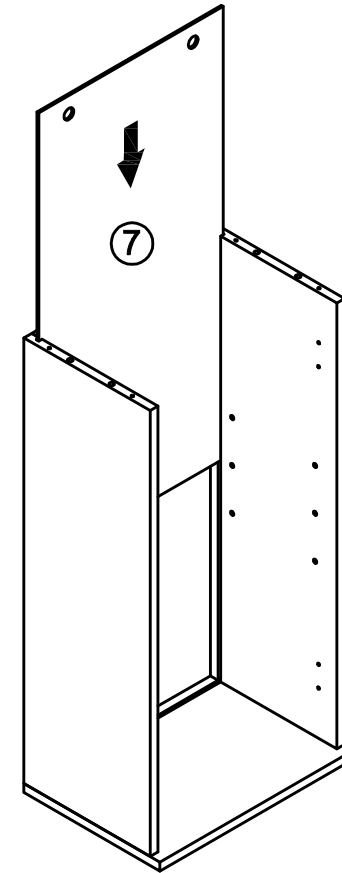
5

## Assembly instructions



6


## Assembly instructions



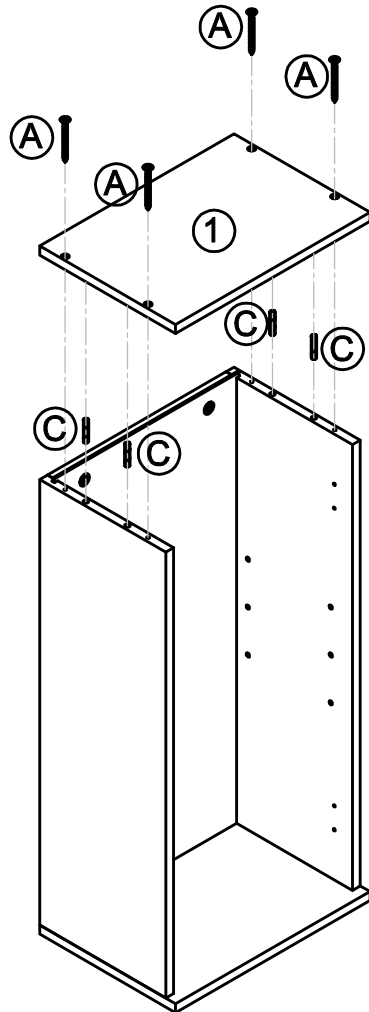
7

# Assembly instructions

**4**




**A** 4PCS    **C** 4PCS



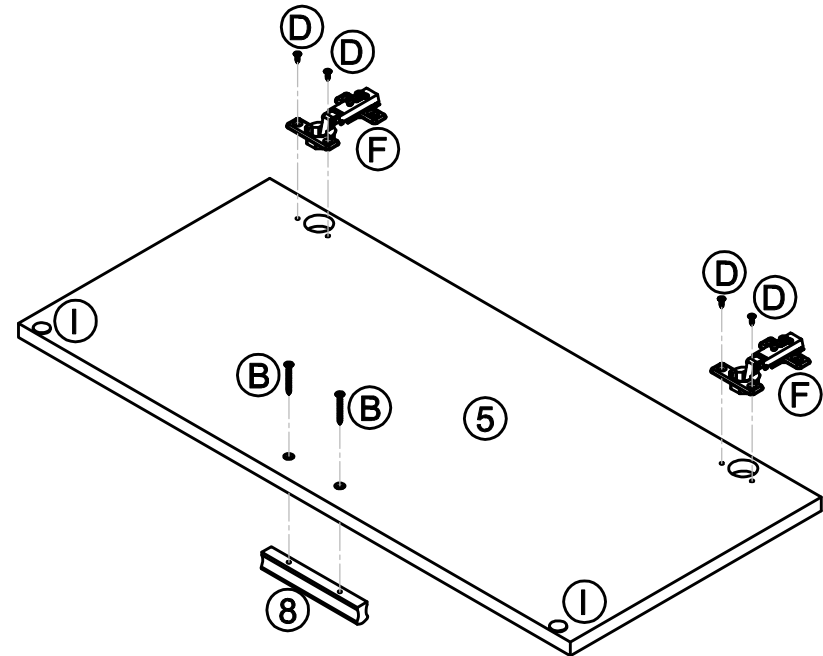
8

# Assembly instructions

**5**



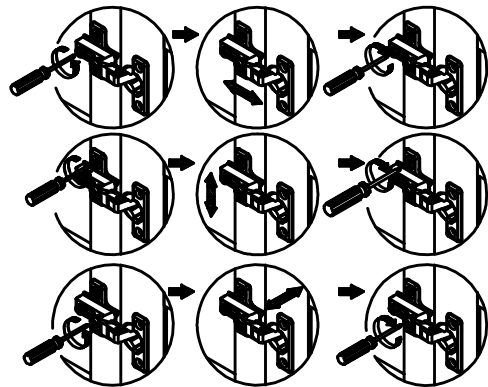
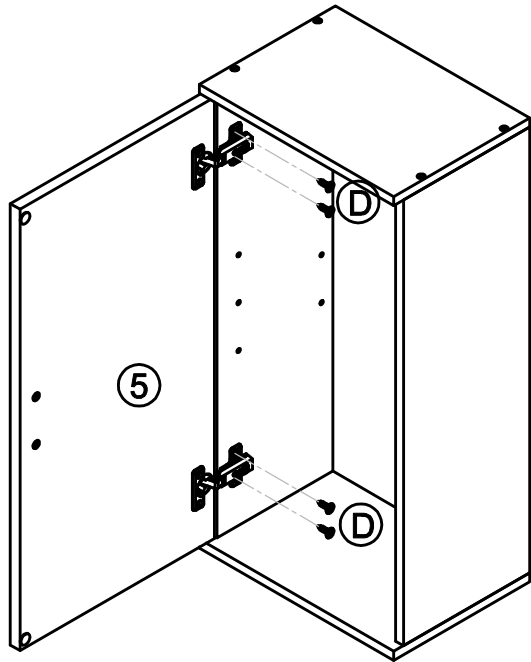
**B** 2PCS    **D** 4PCS    **F** 2PCS    **I** 2PCS



9

# Assembly instructions

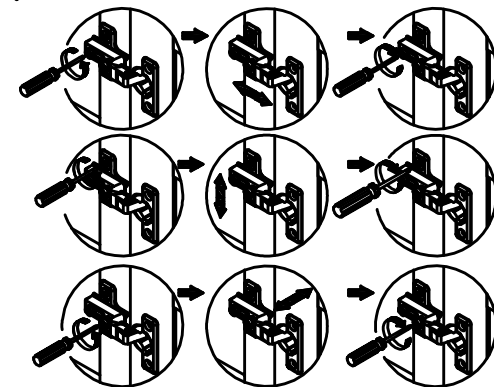
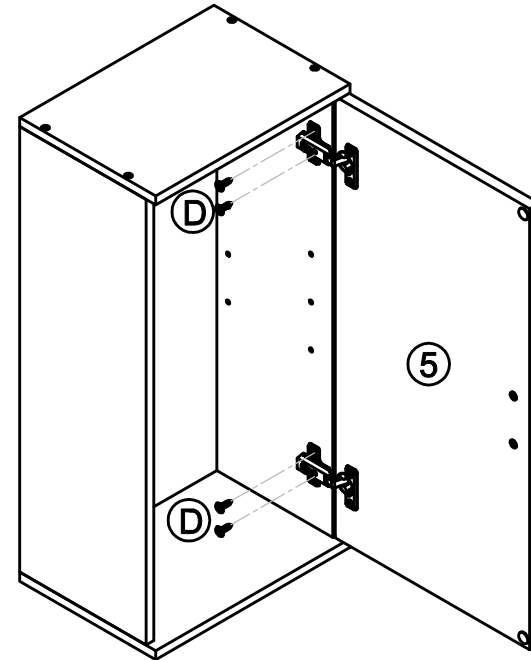
**6**  **ⓓ 4PCS**



10



# Assembly instructions

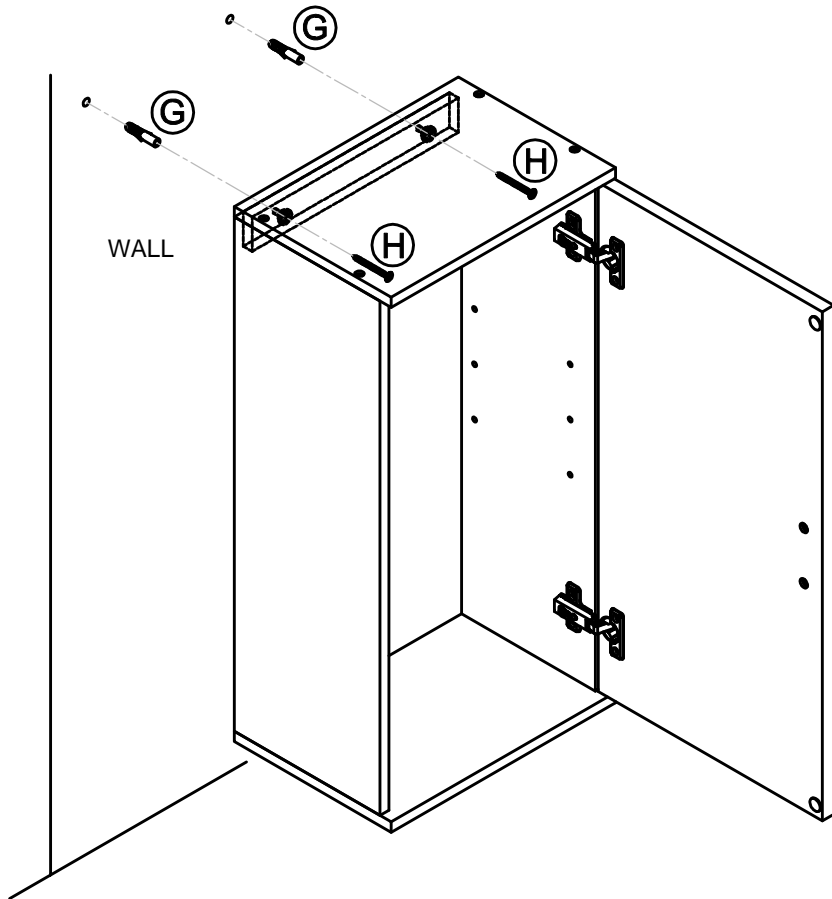
**6**  **ⓓ 4PCS**



11

# Assembly instructions

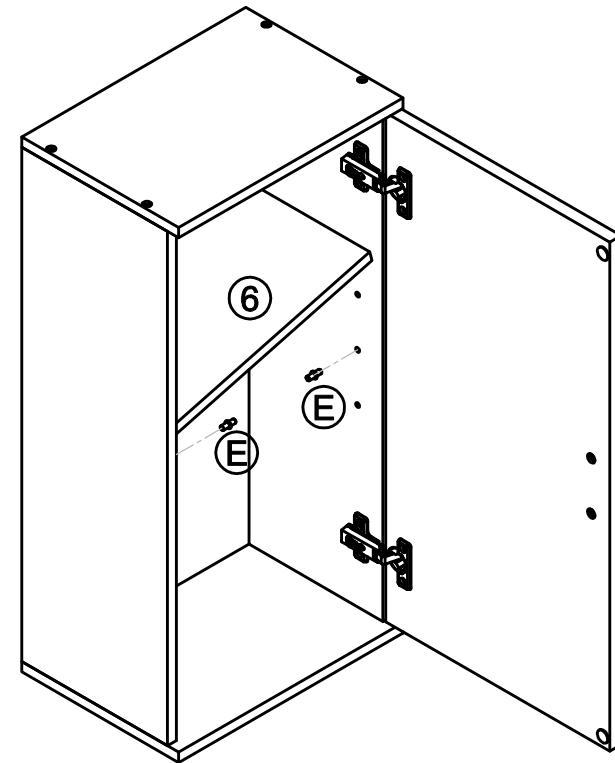
**7**    
ⓐ 2PCS ⓓ 2PCS



12

# Assembly instructions

**8**   
ⓔ 4PCS



13