



# DAEWOO®



## 20L 800W MICROWAVE

with defrost setting

User Manual



\*Please refer to the warranty section for terms of your extended guarantee

## READING AND STORING THE USER MANUAL



Before using this product, please read through this manual carefully paying particular attention to the safety instructions. Failure to do so may result in personal injury or damage to the product.


Carefully save this instruction manual for future reference. Ensure the user manual is included when passing the product on to any third parties.


## IMPORTANT SAFETY INSTRUCTIONS FOR PROPER USE

**When using electrical appliances, basic safety precautions should always be followed.**


Only use the product as described in this user manual. Any other use is considered improper and may result in damage to property or persons. The manufacturer or vendor cannot be held liable for damages or injury incurred through improper or incorrect use.

- **Read and familiarise yourself with all operating instructions before using this Microwave Oven.**
- Before plugging your unit into the mains, visually check that the unit is intact and has not suffered any transit damage.
- Check that the voltage indicated on the data plate corresponds with that of the local network before connecting the appliance to the mains power supply.
- Close supervision is required when using this appliance near children.
- This appliance can be used by children aged from 8 years and above and persons with reduced physical, sensory or mental capabilities or lack of experience and knowledge if they have been given supervision or instruction concerning use of the appliance in a safe way and understand the hazards involved. Children shall not play with the appliance. Cleaning and user maintenance shall not be made by children unless they are older than 8 and supervised.
- Keep the appliance and its cord out of reach of children less than 8 years.

- **DO NOT** touch hot surfaces. The outer surfaces are liable to get hot during use. Always use the handles and knobs. 
- **DO NOT** immerse the appliance or its cord in water or any other liquids.
- **DO NOT** leave the appliance unattended during use.
- **DO NOT** leave the appliance unattended whilst connected to the mains supply.
- Always use this appliance on a solid, level, non-flammable surface.
- **DO NOT** use this appliance outdoors.
- **DO NOT** use this Microwave Oven with a programmer, timer, separate remote-control system or any other device that switches the appliance on automatically.
- It is imperative to unplug the power cord after the appliance has been used, before it is cleaned and whilst being repaired.
- Repairs to electrical appliances should only be performed by qualified personnel. Improper repairs may place user at serious risk.
- **DO NOT** operate this appliance with a damaged plug or cord, after a malfunction or after being dropped or damaged in any way.
- Regular, periodic checks should be carried out on the mains cable to ensure no damage is evident. Should there be any signs of damage the appliance should not be used.
- If the power cable is damaged, it should only be replaced by suitable qualified personnel in order to avoid a hazard.
- **DO NOT** allow the mains cable to hang over sharp edges or come in contact with hot surfaces.
- **DO NOT** run the mains cable under carpets, rugs, etc.
- Allow the unit to cool before storage.
- Before cleaning, disconnect the appliance from the mains supply and allow to cool.
- This appliance is intended for household use only and

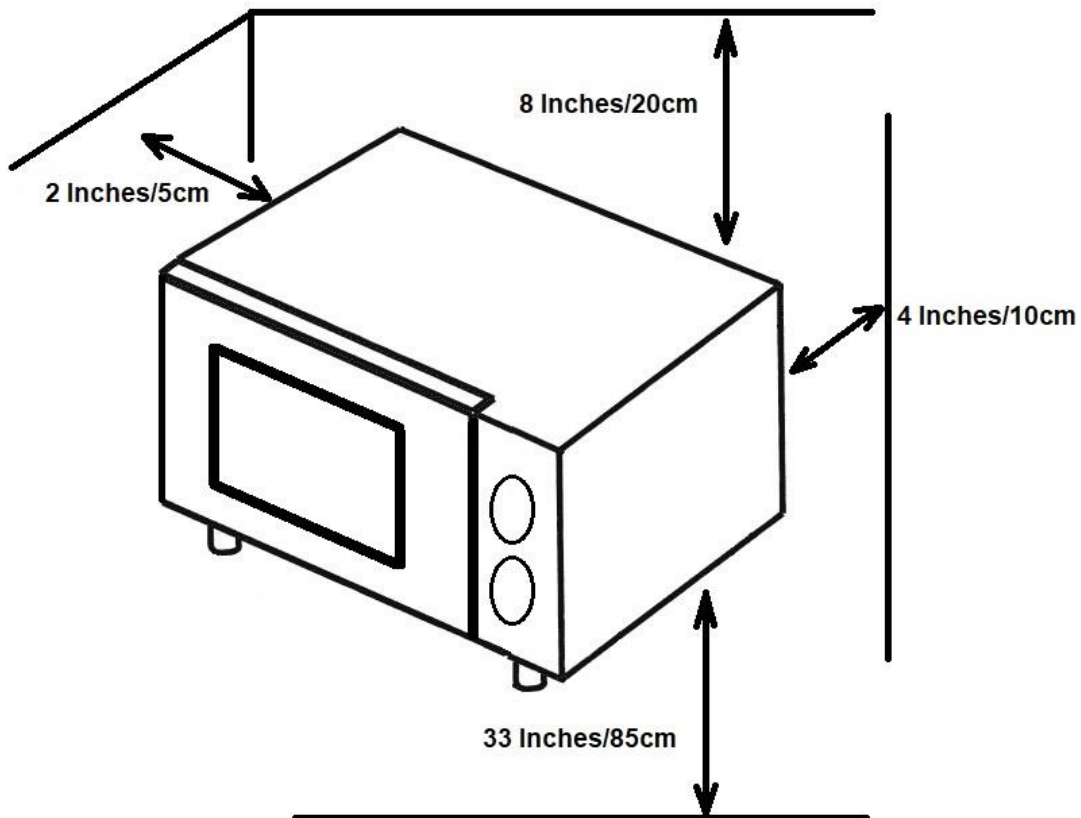
- 
- should not be used for industrial purposes.
- **DO NOT** use any accessories or attachments with this appliance other than those supplied or recommended by supplier.
  - **DO NOT** use this appliance for anything other than its intended use.
  - **DO NOT** push objects into any openings as damage to the appliance and/or electric shock may occur.
  - Ensure appliance is situated in an open area, do not allow it to come in contact with Cupboards, Curtains, wall coverings, clothing or other flammable materials.
  - Unplug after each use. Grasp the plug, not the cord.
  - **CAUTION** Do not overcook food.
  - Metallic containers for food and beverages are not allowed during microwave cooking.
  - When heating food in plastic containers or paper containers, keep an eye on the oven due to the possibility of ignition.
  - The contents of feeding bottles and baby food jars shall be stirred or shaken and the temperature checked before consumption, in order to avoid burns.
  - This appliance shall not be cleaned with a steam cleaner.
  - The microwave oven is intended to be used free-standing.
  - **DO NOT** place this microwave into a cabinet.
  - **CAUTION** Remove wire twists from paper and plastic bags before placing in the oven.
  - **DO NOT** heat oil or fat for deep frying in the oven as the temperature of the fat can't be controlled.
  - After use wipe the waveguide cover with a damp cloth, followed by a dry cloth to remove any food splashes and grease. Built up grease may overheat and smoke or ignite.
  - If materials inside the oven smoke or ignite, keep the door closed, turn oven off and disconnect the power supply in order to stifle any flames.
  -  **WARNING!** Liquids and other foods must not be
-

heated in sealed containers since they are liable to explode; Baby bottles fitted with a screw cap or teat are considered sealed containers.

- Liquids should be heated in a wide mouthed container and left for a short period after the heating cycle to avoid possible hazards such as delayed eruptive boiling of the liquid. Therefore, care must be taken when handling the container.
- Potatoes, sausage and other skinned foods should be pierced before heating.
- Eggs in their shell and whole hard-boiled eggs should not be heated in microwave ovens since they may explode, even after microwave heating has ended.
- Only use utensils suitable for use in a microwave oven.
- **DO NOT** store food or other items in the oven.
- **DO NOT** operate the oven without any food or liquid inside, this may damage the oven.
-  **WARNING!** If the door or door seals are damaged or if the oven has malfunctioned, the oven must not be operated until it has been repaired by a competent person. It is hazardous for anybody other than a suitably qualified person to carry out any service or repair that involves the removal of a cover which gives protection against exposure to microwave energy.
- This microwave oven is intended for the heating of food and beverages. The drying of clothes, heating of warming pads slippers, sponges and cloths may lead to risk of injury, ignition and fire.
- The oven should be cleaned regularly and any food deposit removed.
- Failure to maintain the oven in a clean condition could lead to deterioration of the surface that could adversely affect the life of the appliance and possibly result in a hazardous situation.

### Installation

- Select a level surface no less than 85cm (33 inches) from the floor, that provides enough space for the outlet vents.
- A minimum clearance of 5cm (2 inches) is required between the oven and any adjacent wall, with a minimum clearance of 10cm (4 inches) between the rear of the microwave and the wall.
- Leave a minimum clearance of 20cm (8 inches) above the oven



### Explanation of Symbols

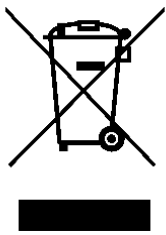
The following warning symbols or words are used in this instruction manual:



Products labelled with UK Conformity Assessment identifies products conforming to UK statutory requirements.



Products labelled with this symbol conform to applicable provisions of the European Economic Area.



You should now recycle your waste electrical goods and in doing so help the environment. This symbol means waste electrical products at the end of their useful life should not be disposed of with normal household waste and not sent to landfill. Please ensure it is taken to a suitable facility for disposal. Check with your Local Authority or retailer for recycling advice or visit [www.recycle-more.co.uk](http://www.recycle-more.co.uk) enter your postcode to find out your nearest recycling site.



This symbol provides useful additional information on the use of this product.



This symbol indicates that the supply uses an alternating current mains supply.

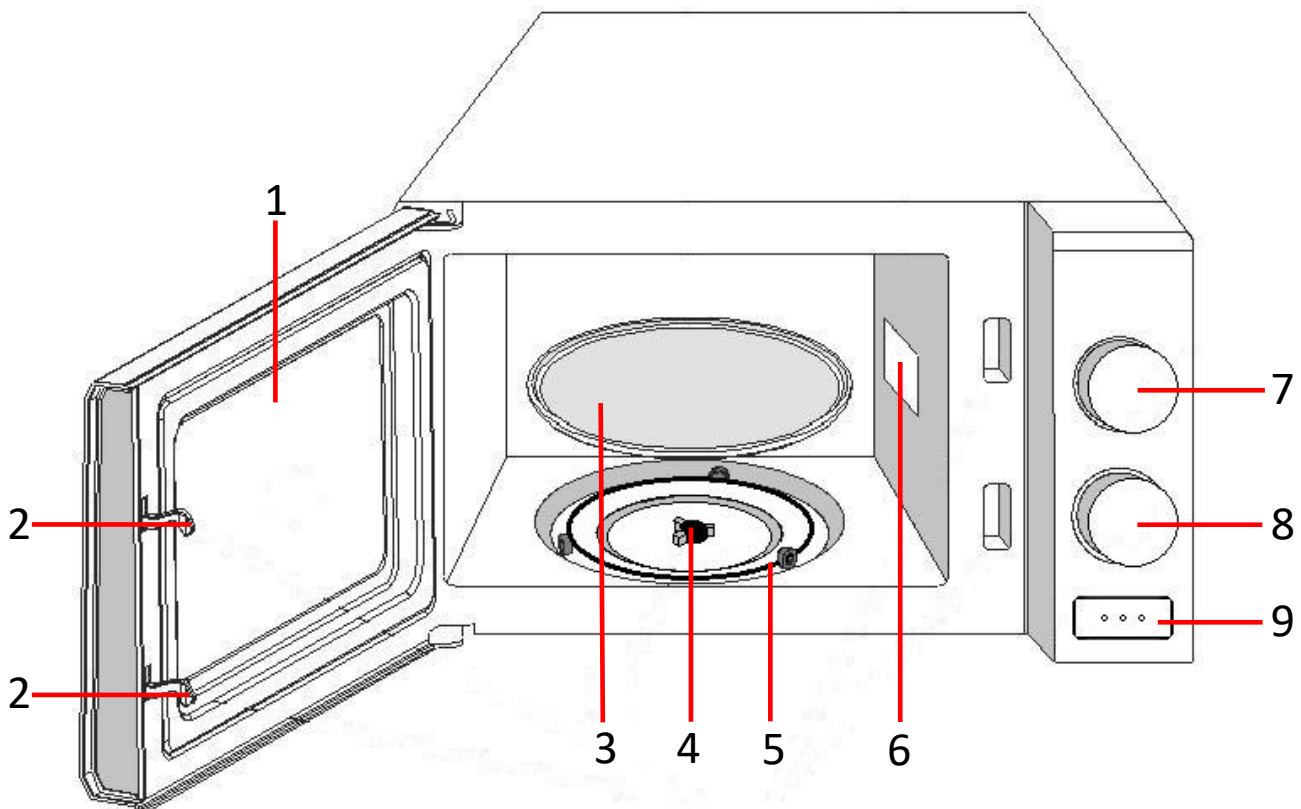


This symbol indicates that the surface gets hot and care must be taken.



This designates a hazard with moderate risk, which may result in severe injury if not adhered to.

## Description of Parts

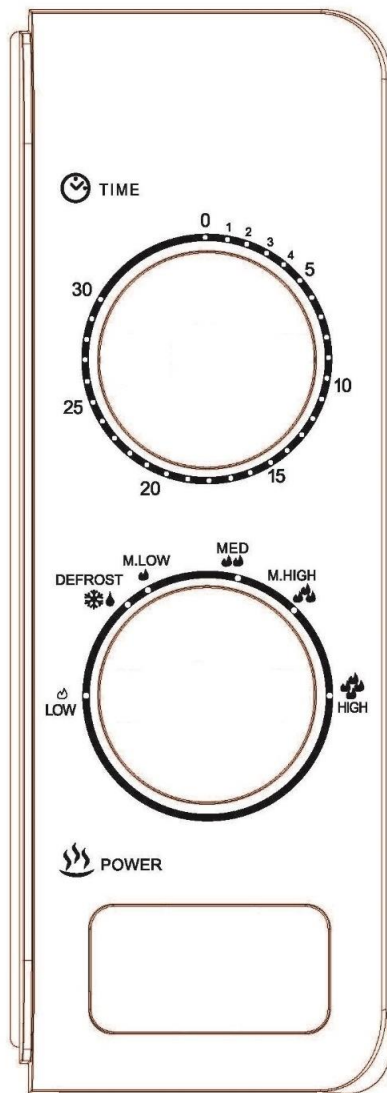


- |                               |                         |
|-------------------------------|-------------------------|
| 1. Door Viewing Mirror window | 6. Waveguide Cover      |
| 2. Door catches               | 7. Timer                |
| 3. Turntable                  | 8. Function/Power Level |
| 4. Motor Spindle              | 9. Door Open Button     |
| 5. Turntable Support Ring     |                         |

**i** The door must be fully closed in order for the Microwave to operate. The door operates a safety interlock mechanism which prevents the unit from operating whilst the door is open.

**! WARNING!** The waveguide cover (6) should never be removed.

## Description of Parts – Control panel



### Timer (7)

The timer can be set up to 30 minutes, each division around the scale represents 1 minute. Once the cooking time has elapsed, a bell will sound and the microwave oven will automatically switch off.

### Function/Power Level (8)

There are six power levels as below:

Power Setting	Power Output	Suggested Use
LOW	17%	Keep Warm
DEFROST	37%	Defrost Food
M.LOW	40%	Drinks or Soup
MED	66%	Slow Cooking
M.HIGH	85%	Normal Cooking
HIGH	100%	Fast Cooking

The door of the microwave oven must be fully closed in order for it to operate, this is due to a safety interlock between the locking mechanism and the control panel.

Place the turntable ring in first, fit the turntable onto the rotating turntable support and make sure it is geared in properly

Never remove the waveguide cover

Make sure the turntable support is correctly located

### Using Your Microwave Oven

1. Place the Microwave Oven on a solid level, heat resistant surface, ensure that the ventilation outlets are not obstructed.
2. Before first use press the **Door Open Button** (9) and place the **Turntable Support Ring** (5) in the base of the oven as shown in the diagram above.
3. Place the glass **Turntable** (3) onto the **Motor Spindle** (4).

**i** Rotate the Turntable a little until the notches in the turntable drop onto the **Motor Spindle** (4).

4. Place the food to be cooked (in a suitable non-metallic container) onto the glass **Turntable** (3).
5. Push the Door closed.
6. Ensure the **Timer** (7) is set to zero and insert the mains plug into the nearest socket.
7. Set the desired power level using the **Function/Power Level** control (8) and cooking time using the **Timer** (7).
8. The food will begin to cook, to check the food, look through the Door Viewing Window (1).

**i** Cooking will stop if the door is opened, cooking will resume when the door is closed again.

9. Once cooking is complete a bell will sound, the oven and internal lamp will turn off.

**i** If the food is removed before the cooking time is complete, set the **Timer** (7) to zero to prevent the oven operating whilst empty.

### Utensils guideline

It is recommended that only utensils and containers marked safe for microwave use should be used in this microwave oven. As a general rule a container made from heat resistant ceramic, glass or plastic are suitable for microwave cooking. Never use metal containers for microwave cooking.

Material	Microwave?	Comments
Heat resistant ceramic	Yes	Do not use ceramics that have a gilt or metal rim
Heat resistant plastic	Yes	Should not be used for extended cooking times
Heat resistant glass	Yes	
Plastic film	Yes	Should not be used cooking meats as the higher temperatures may damage the film
Grill rack	No	Metal items must <u>not</u> be used in the microwave oven.
Metal containers	No	Metal items must <u>not</u> be used in the microwave oven.
Lacquer	No	Poor heat resistance
Bamboo, wood, paper	No	Poor heat resistance and risk of ignition

### **Defrosting tips**

Microwaves penetrate approximately 4cm into most foods, to maximise defrosting effects, the following is advised:

- For thick and chunky foods, turn the food regularly during operation in order to obtain uniform thawing.
- If food is over 2.0kg it is advised to turn it a minimum of two times.
- Do not refreeze food once defrosted.
- The following table provides a guide to defrost times for various foods:

Food Type	Weight Range	Defrost Time
Meat	0.1-1.0kg	1min 30sec – 26min
Poultry	0.2-1.0kg	2min 30sec – 22min
Seafood	0.1-0.9kg	1min 30sec – 14min

**i** The above table is for guidance only, ensure food is thoroughly defrosted before cooking.

### **Cooking tips**

- Place thicker pieces towards outside of food container, the thinner pieces towards the centre and spread evenly. Do not overlap if possible.
- Start cooking with a shorter time setting, evaluate it after the time finishes and extend the cooking time if needed. Over cooking can result in smoke and burnt food.
- Food such as chicken, burgers or steak should be turned once during cooking.
- Depending on the food type, if applicable stir from the outside inwards to the centre of the dish once or twice during cooking.
- Make sure meat is cooked thoroughly there should be no signs of pink in the meat or in the meat juices.

### **Cleaning and Maintenance**

Remove the plug from the wall socket before cleaning.

**DO NOT** immerse the appliance in water or any other liquids whilst cleaning.

- Wipe the exterior with clean soft damp cloth and dry thoroughly.
- Using a clean soft damp cloth, wipe clean the interior of the door and door seals, interior cavity to remove any spills or spatter and dry thoroughly.
- Do not remove the waveguide cover. Wipe clean the wave guide cover making sure it is free from food residue, this is located on the cavity wall on the right hand side.
- Wash the glass turntable, the turntable ring support in warm soapy water and dry thoroughly.

Some foods, for example fish can leave an odour which may linger, to refresh the cavity follow one of the 3 methods below:

---

### Method 1 - Distilled Vinegar

1. Add 1 cup of water and 1/2 cup of distilled vinegar to a microwave proof bowl or plastic container and place in the centre of the oven.
2. Heat on high for 2 minutes 30 seconds or until the solution boils or gives off steam.
3. Leave to cool for 15 minutes before opening the door.
4. Open the door, remove the bowl and glass turntable, then wipe the microwave with a clean damp cloth.
5. Wipe the glass turntable before replacing.

### Method 2 - Lemon

1. Cut a lemon in two and squeeze the lemon into a microwave proof bowl or plastic container, add 1 cup of water and place in the centre of the oven.
2. Heat on high for 2 minutes 30 seconds or until the solution boils or gives off steam.
3. Leave to cool for 15 minutes before opening the door.
4. Open the door, remove the bowl and glass turntable, then wipe the microwave with a clean, damp cloth.
5. Wipe the glass turntable before replacing.

### Method 3 - Bicarbonate of soda

1. Add 1 cup of water and 2 tbsp bicarbonate soda to a microwave proof bowl or plastic container and place in the centre of the oven.
2. Heat on high for 2 minutes 30 seconds or until the solution boils or gives off steam.
3. Leave to cool for 15 minutes before opening the door.
4. Open the door, remove the bowl and glass turntable, then wipe the microwave with a clean, damp cloth.
5. Wipe the glass turntable before replacing.

### Servicing

Servicing and repairs should only be carried out by qualified service personnel.

#### **WARNING!**

Some components still retain a high voltage charge even when the microwave oven is disconnected from the mains supply, never remove Covers or Guards. Covers and Guards should only be removed by qualified personnel.

If any part of the oven or cord becomes damaged stop using it immediately and seek advice from qualified service personnel.

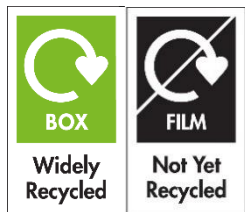
### **Non-Wireable Mains Plug**

If your appliance is supplied with a non-wireable plug fitted to the mains lead and should the fuse need replacing, you must use an ASTA approved one (conforming to BS 1362 of the same rating). If in doubt, consult a qualified electrician who will be pleased to do this for you. If you need to remove the plug – DISCONNECT FROM THE MAINS – and then cut it off the mains lead and immediately dispose of it safely. Never attempt to reuse the plug or insert it into a socket outlet as there is a danger of electric shock.

### **Technical Data**

Model Number	SDA2477
Rated Voltage	220-240V AC ~ 50Hz
Rated power (input)	1280W
Rated power (output)	800W
Microwave frequency	2450MHz
Protection Class	I (This Appliance Must Be Earthed)

### **Disposal of the Packaging**

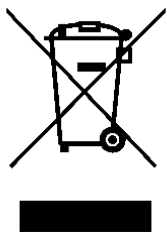


Dispose of paper and cardboard in appropriate paper re-cycling facilities.

Dispose of recyclable plastics in appropriate plastic re-cycling facilities.

Dispose of non-recyclable plastics in the appropriate plastics collection service.

### **Disposal of the Product**



You should now recycle your waste electrical goods and in doing so help the environment. This symbol means waste electrical products at the end of their useful life should not be disposed of with normal household waste and not sent to landfill. Please ensure it is taken to a suitable facility for disposal. Check with your Local Authority or retailer for recycling advice or visit [www.recycle-more.co.uk](http://www.recycle-more.co.uk), enter your postcode to find out your nearest recycling site.



## ***Customer Support***

*Should you require any product information, replacement parts or accessories, please contact our customer care team at [help@daewooelectricals.com](mailto:help@daewooelectricals.com) or call 0161 831 7879.*

- *Replacement parts and accessories are guaranteed for 1 year from the date of purchase.*
- *It is important to note that your warranty becomes invalid should non Daewoo parts or accessories be used with this appliance*



# DAEWOO®

## WARRANTY

*Thank you for purchasing your Daewoo product.*

*As part of our commitment to quality, we are offering you an extra 2 years warranty in addition to your 1 year guarantee*

Your Daewoo product is guaranteed for 1 year from the date of original purchase, with proof of purchase or receipt. If any defect should occur due to faulty workmanship or material, your faulty product should be returned to the place of purchase, replacement or refund is at the discretion of the retailer.

The guarantee is subject to the following provisions:

- The product must be correctly installed and operated in accordance with the requirements contained in the instruction manual.
- The product must be used solely for domestic purposes.
- It does not cover general wear and tear, damage, misuse or any consumable parts.
- The guarantee will be rendered invalid if the product is re-sold or has been damaged through inexpert repair.
- The guarantee is only valid within the UK and Eire.

Your standard 1 year guarantee will only be extended to the maximum available for your individual product upon registration. (Note: products must be registered individually and covers the main body and housing). If you do not register your product within 28 days of the original purchase date, your product will only be guaranteed for 1 year.

*To validate your extended 2 year warranty\* please register your purchase online within 28 days of the original purchase date by registering at:*

<https://help.daewooelectricals.com>

or

[Contact Us \(daewooelectricals.com\)](mailto:Contact Us (daewooelectricals.com))

\*Your extended warranty is only valid with proof of purchase receipt and subject to the conditions outlined above.

Daewoo® is a registered trademark.  
Produced and imported under licence by  
ESG Ltd. Manchester M3 1JS UK  
EU Rep: EuroSonic Magpie (ESM) Ltd. Ireland D05 X006  
[www.esgltd.com](http://www.esgltd.com)