



*Please refer to the warranty section for terms of your extended guarantee.



USER MANUAL

2300W **CONVECTOR HEATER**

READING AND STORING THE USER MANUAL



Before using this product, please read through this manual carefully paying particular attention to the safety instructions. Failure to do so may result in personal injury or damage to the product.

Carefully save this instruction manual for future reference. Ensure the user manual is included when passing the product on to any third parties.

IMPORTANT SAFETY INSTRUCTIONS FOR PROPER USE

When using electrical appliances, basic safety precautions should always be followed.

Only use the product as described in this user manual. Any other use is considered improper and may result in damage to property or persons. The manufacturer or vendor cannot be held liable for damages or injury incurred through improper or incorrect use.

- **Read and familiarise yourself with all operating instructions before using this Convector Heater.**
- Before plugging your unit into the mains, visually check that the unit is intact and has not suffered any transit damage.
- **WARNING:** In order to avoid overheating, do not cover the heater.
- **DO NOT** install the appliance directly below an electrical socket.
- **DO NOT** use this heater with a programmer, timer, separate remote-control system or any other device that switches the heater on automatically, since a fire risk exists if the heater is covered or positioned incorrectly.
- **DO NOT** use this heater with an extension cable.
- Check that the voltage indicates on the data plate corresponds with that of the local network before connecting the appliance to the mains power supply.
- Close supervision is required when using this appliance near children.
- Never leave this appliance within reach of children.

- This appliance can be used by children aged from 8 years and above and persons with reduced physical, sensory or mental capabilities or lack of experience and knowledge if they have been given supervision or instruction concerning use of the appliance in a safe way and understand the hazards involved. Children shall not play with the appliance. Cleaning and user maintenance shall not be made by children without supervision.
- Children of less than 3 years should be kept away unless continuously supervised.
- Children aged from 3 years and less than 8 years shall only switch on/off the appliance provided that it has been placed or installed in its intended normal operating position and they have been given supervision or instruction concerning use of the appliance in a safe way and understand the hazards involved. Children aged from 3 years and less than 8 years shall not plug in, regulate and clean the appliance or perform user maintenance.
- **CAUTION — some parts of this product can become very hot and cause burns. Particular attention has to be given where children and vulnerable people are present.**
- **DO NOT** use this heater in the immediate surroundings of a bath, a shower or a swimming pool.
- **DO NOT** immerse the appliance or its cord in water or any other liquids.
- **DO NOT** leave the appliance unattended during use.
- **DO NOT** leave the appliance unattended whilst connected to the mains supply.
- Always use this appliance on a solid, level, non-flammable surface.
- **DO NOT** use this appliance outdoors.
- It is imperative to unplug the power cord after the appliance has been used, before it is cleaned and whilst being repaired.

- Repairs to electrical appliances should only be performed by a qualified electrician. Improper repairs may place user at serious risk.
- **DO NOT** operate this appliance with a damaged plug or cord, after a malfunction or after being dropped or damaged in any way.
- Regular, periodic checks should be carried out on the mains cable to ensure no damage is evident. Should there be any signs of damage the appliance should not be used.
- If the power cable is damaged, it should only be replaced by the manufacturer or a suitable qualified after-sales-service in order to avoid a hazard
- **DO NOT** allow the mains cable to hang over sharp edges or come in contact with hot surfaces.
- **DO NOT** run the mains cable under carpets, rugs, etc.
- Allow the unit to cool before storage.
- Before cleaning, disconnect the appliance from the mains supply and allow to cool.
- Never place the appliance near to flammable material or high pressure containers. (e.g., Paper, wood, petrol, solvents, spray canisters etc.)
- This appliance is intended for household use only and should not be used for industrial purposes.
- **DO NOT** use any accessories or attachments with this appliance other than those supplied or recommended by supplier.
- **DO NOT** use this appliance for anything other than its intended use.
- **DO NOT** push objects into any openings as damage to the appliance and/or electric shock may occur.
- Ensure appliance is situated in an open area, do not allow it to come in contact with Cupboards, Curtains, wall coverings, clothing or other flammable materials.
- The appliance should not be installed in areas which have

a fire-risk, such as garages, stables or wooden sheds; this is applicable also for rooms in which highly inflammable gasses or dust can develop. Danger of fire!!

- Unplug after each use. Grasp the plug, not the cord.

CAUTION

Keep Hearth Rugs and other soft furnishings away from the heater. They could obstruct the free flow of air from the heater and damage both soft furnishings and heater.

The heater must stand on a solid, level non-flammable surface such as stone, slate, ceramic or concrete.


DO NOT Stand the heater on a carpet, rug or other soft floor covering.

DO NOT COVER THE HEATER

THIS HEATER MUST ONLY BE OPERATED IN THE UPRIGHT POSITION WITH THE FEET FITTED.

THIS APPLIANCE MUST BE EARTHED

This appliance has been ERP classified as a portable space heater and should only be used for supplementary, secondary or temporary heating. It should not be considered for primary permanent heating in a room or dwelling.

 During the first few minutes of initial use, you may notice a slight odour and a little smoke. This is normal and will quickly disappear, It is the coating applied to the heating elements to prevent any corrosion during transit.

Explanation of Symbols

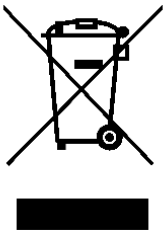
The following warning symbols or words are used in this instruction manual:

**UK
CA**

Products labelled with UK Conformity Assessment identifies products conforming to UK statutory requirements.

CE

Products labelled with this symbol conform to applicable provisions of the European Economic Area.



You should now recycle your waste electrical goods and in doing so help the environment. This symbol means waste electrical products at the end of their useful life should not be disposed of with normal household waste and not sent to landfill. Please ensure it is taken to a suitable facility for disposal. Check with your Local Authority or retailer for recycling advice or visit www.recycle-more.co.uk enter your postcode to find out your nearest recycling site.



This symbol provides useful additional information on the use of this product.



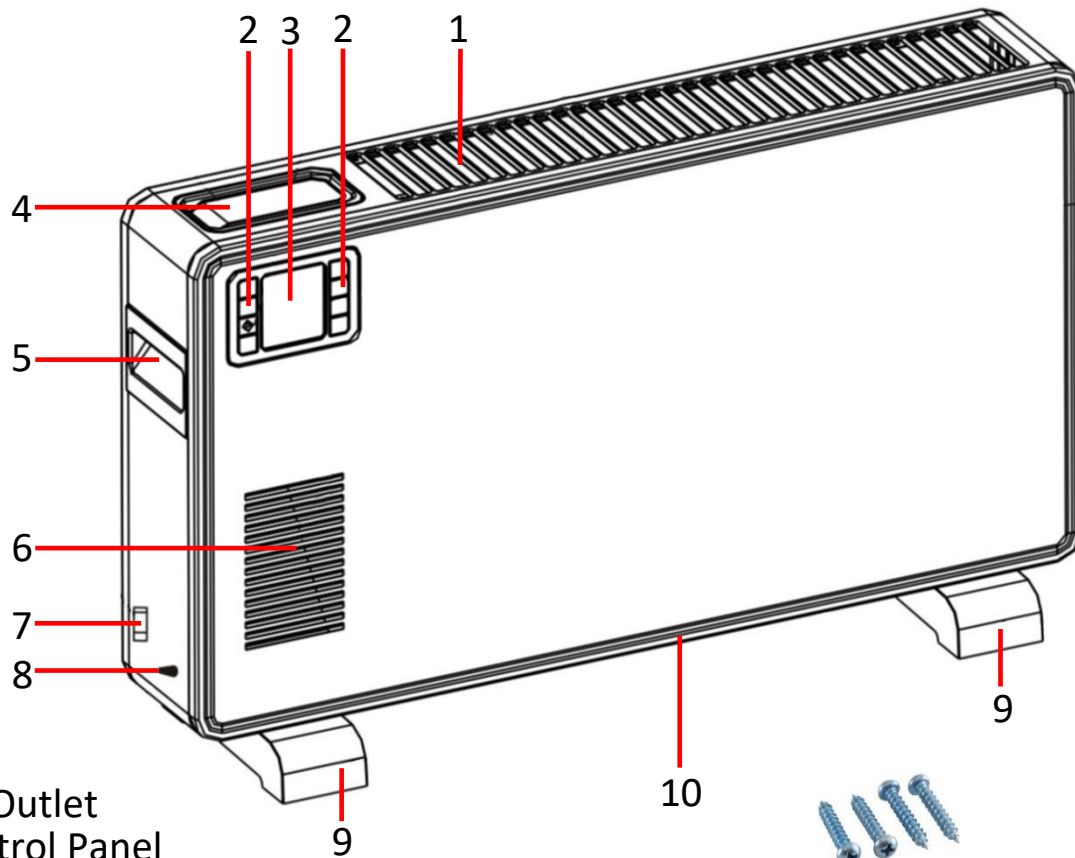
This symbol indicates that the supply uses an alternating current mains supply.

Before the first time you use your Convector Heater

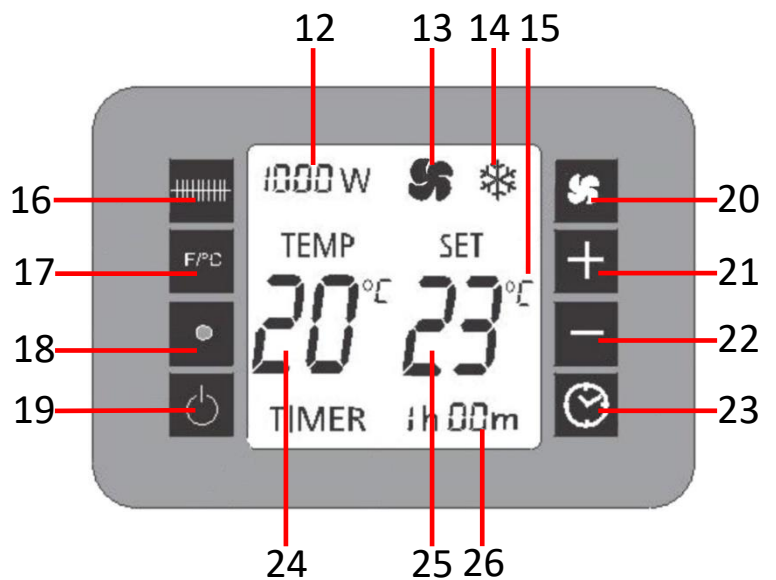
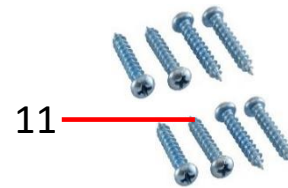
Remove all packing materials and discard responsibly.

Ensure that all parts are present before assembling your heater – see **Description of Parts** below:

Description of Parts & Controls

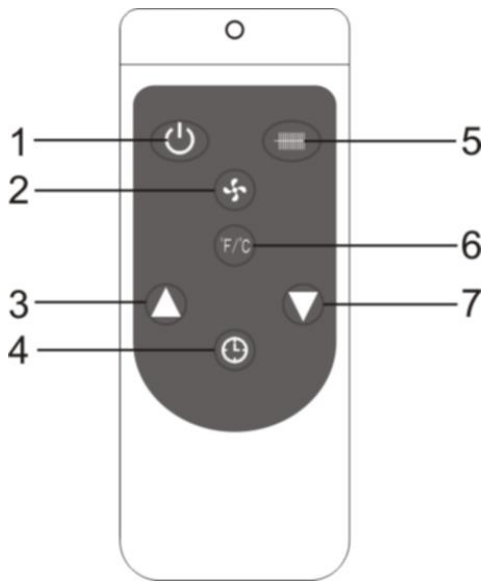


1. Air Outlet
2. Control Panel
3. LCD Display
4. Remote Control Storage Tray
5. Carrying Handle
6. Air Outlet
7. Mains Switch
8. Temperature Sensor
9. Feet (x2)
10. Air Inlet
11. Self-Tapping Screws (x8)
12. Heat Level Mode
13. Fan Symbol
14. Frost Protect Symbol
15. Unit of Temperature
16. Power Level Button
17. °F or °C Button
18. Infra Red Receiver
19. On/Off (Standby) Button
20. Fan Button
21. Increase Temperature Button +
22. Decrease Temperature Button -
23. Timer Button



24. Room Temperature.
25. Set Temperature.
26. Timer Display.

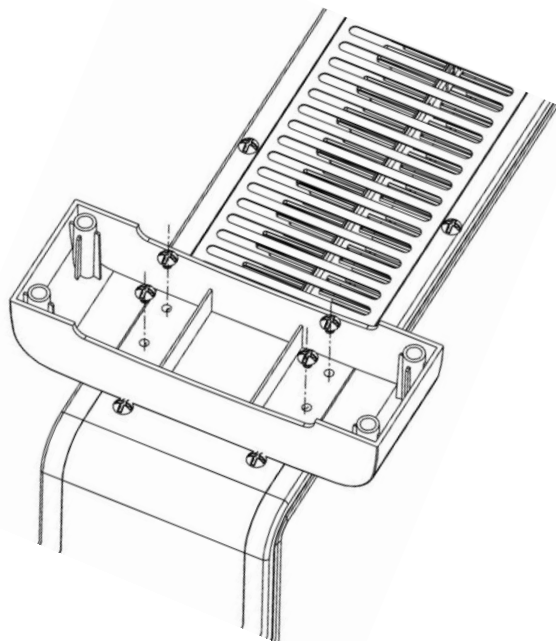
Description of Parts – The Remote Control



1. On/Off Button
2. Fan Button
3. Increase Temperature Button +
4. Timer Button
5. Heat Level Mode
6. °F or °C Button
7. Decrease Temperature Button –

Assembling your Convector Heater

Before using this heater, the feet (9) must be fitted to the unit. These are attached to the base of the heater using the eight Self-tapping Screws (11) provided; take care to ensure that they are located correctly in the holes at either end of the base of the appliance:



1. **Left:** Turn the convector heater upside down and locate the eight feet fixing holes in the base of the heater (arrowed left).
i It is recommended that the heater is placed on cardboard, or a towel, etc. to prevent damage to the finish of the heater.
2. Attach both the feet (9) using the eight Self Tapping Screws (11) provided using a suitable crosshead screwdriver (not supplied).

Operating Instructions – the heat settings

1. Place the heater upright on its feet (9) on a solid, level, non-flammable surface.
2. Insert the mains plug into the mains socket.
3. Press the **Mains Switch** (7) to the ON position (I). The switch will illuminate to indicate the power is on and the **LCD Display** (3) will show the current room temperature on the **Room Temperature** display (24).
4. Press the **On/Off Standby** button (19) on the **Control Panel** (2), the control panel will illuminate and display the **Room Temperature** (24) and **Set Temperature** (25).

Setting the Temperature

1. With the display showing the room temperature and the set temperature as above, use the **Increase Temperature +** (21) and the **Decrease Temperature –** (22) buttons to set the desired temperature on the **Set Temperature** (25) display.
2. Press the **Power Level** button (16), to select the heating power level required, (1000W, 1300W or 2300W – as shown on the **Heat Level Mode** (12) on the LCD Display (3)).
3. The heater will now start to heat the room at the set temperature.
 - ❗ The set temperature range is 5-37°C, (41-99°F).
 - ❗ Press the **°F or °C** Button (17) to change the display between degrees Centigrade or degrees Fahrenheit.

Using the Timer

- ❗ This heater has a built in timer which switches the heater **off** after a maximum time of 24 hours. Set the timer as follows:
 1. First, set the heat settings up as above in '**Setting the Temperature**' before setting the timer.
 2. Press the **Timer** button (23) once and the **Timer Display** (26) will flash.
 3. Repeatedly press or hold down the **Timer** button (23) to select the desired time (in hours) before the heater switches off is shown on the **Timer Display** (26).
 4. The timer will count down and then switch off the heater once the time has elapsed. Press the **On/Off Standby** button (19) to switch the heater back on again if required.

Cancelling the Timer

1. Repeatedly press the **Timer** button (23) until the time shows 24 hours on the **Timer Display** (26).
2. Press the **Timer** button (23) once more and the **Timer Display** (26) will go out showing that the timer is now cancelled. Press the **Timer** button (23) again to enable the timer again if required.

Using the Frost Protection

i This heater has a frost protection mode whereby the heater can be set to come on should the temperature drop to 5°C (41°C) or lower. The heater will switch off if the temperature rises to 9°C.

1. To enable the Frost Protection mode, press the **On/Off Standby** button (19) and then press the **Power Level** button (16) until the **Frost Protection Symbol** ❄️ (14) is shown on the **LCD Display** (3).

Using the Turbo Fan

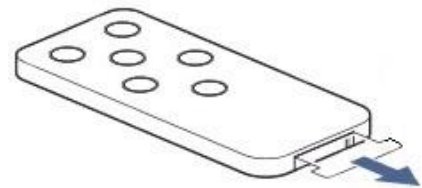
Press the **Fan Button** (20) to enable the Turbo Fan, to boost heating. The air will be blown out of the Air Outlet (6).

For cool air, first press the **On/Off Standby** button (19) to power up the heater, then press the **Fan Button** (20).

Using the Remote Control

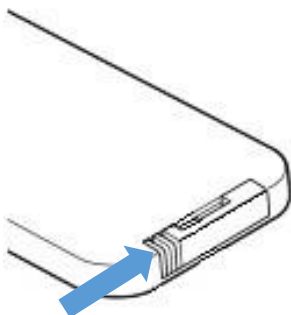
The Remote Control duplicates the controls on the control panel allowing you to control your convector heater remotely.

i If using the Remote Control for the first time, pull the tab from the battery compartment as shown right:

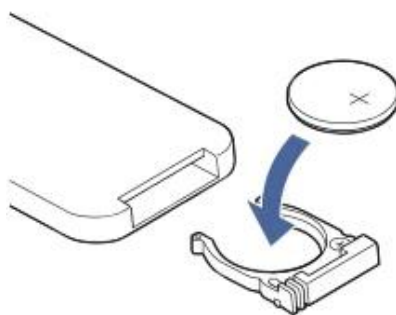


Replacing the Battery in the Remote Control

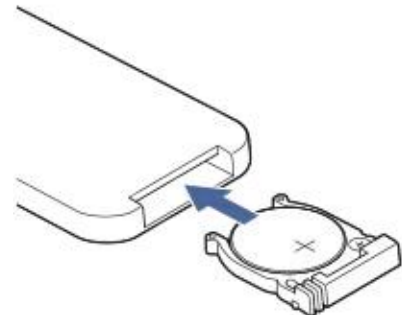
If the Remote-Control range has become reduced or it has stopped working altogether the battery will need replacing as shown below:



A Push the tab on the battery compartment in the direction of the arrow as shown above.



B Slide out the battery compartment and insert a new CR2032 battery ensuring the positive polarity marking is uppermost.



C Slide the battery compartment back into the Remote Control.

- CAUTION: There is a danger of explosion if the battery is incorrectly fitted.
- Ensure that the battery is installed with the correct polarity.
- It is recommended that battery is removed if the remote if it is not to be used for a long period of time or if the remote is to be disposed of.
- Replace only with the same or equivalent battery type.
- Store batteries in a cool dry place.
- Do not expose the battery to sunshine, fire, heat or similar, never dispose of batteries in a fire.
- Do not charge non-rechargeable batteries.
- Do not short-circuit batteries.
- Exhausted batteries are to be removed from the product and safely disposed of.

WARNING!

- Do not ingest the battery, Chemical Burn Hazard.
- The remote control supplied with this product contains a coin/button cell battery.
- If the coin/button cell battery is swallowed, it can cause severe internal burns in just 2 hours and can lead to death.
- Keep new and used batteries away from children and animals.
- If the battery compartment does not close securely, stop using the product and keep it away from children.
- If you think batteries might have been swallowed or placed inside any part of the body, seek immediate medical attention.
- If the batteries leak, remove them immediately to avoid damaging the product. Do not remove the batteries with your bare hands or allow the battery fluid to come into contact with your skin, eyes or mucous membranes. Wear normal household gloves to do so. If, however, your skin has come into contact with the battery fluid, wash your skin immediately, if necessary, seek medical attention.

Care and Use of your Convector Heater

- Always disconnect the convector heater from the mains power supply and allow to cool before cleaning.
- Clean outside of the convector heater with a clean damp cloth. Never clean with harsh or abrasive cleaners.
- Do not submerge any part of the convector heater in water or any other liquids.

Technical Specification

Rated Voltage	220-240V AC ~ 50-60Hz
Rated Power	2000-2300W
Model Number	HEA1840
Protection Class	I (This Appliance Must Be Earthed)
Dimensions	415mm (H with feet) x 680mm (W) x 180mm (D with feet)
Weight	4.58kg

Non-Rewireable Mains Plug

If your appliance is supplied with a non-rewireable plug fitted to the mains lead and should the fuse need replacing, you must use an ASTA approved one (conforming to BS 1362 of the same rating). Never use a plug with the fuse cover missing. If in doubt, consult a qualified electrician. If you need to remove the plug – DISCONNECT FROM THE MAINS – and then cut it off the mains lead and immediately dispose of it safely. Never attempt to reuse the plug or insert it into a socket outlet as there is a danger of electric shock.

Recycling Information

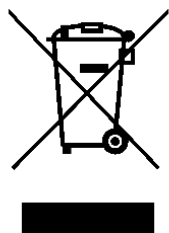
Disposal of the Packaging

Dispose of paper and cardboard in appropriate paper re-cycling facilities.

Dispose of recyclable plastics in appropriate plastic re-cycling facilities.

Dispose of non-recyclable plastics in the appropriate plastics collection service.

Disposal of the Product



You should now recycle your waste electrical goods and in doing so help the environment. This symbol means waste electrical products at the end of their useful life should not be disposed of with normal household waste and not sent to landfill. Please ensure it is taken to a suitable facility for disposal. Check with your Local Authority or retailer for recycling advice or visit www.recycle-more.co.uk enter your postcode to find out your nearest recycling site.





Customer Support

Should you require any product information, replacement parts or accessories, please contact our customer care team at help@daewooelectricals.com or call 0161 831 7879.

- *Replacement parts and accessories are guaranteed for 1 year from the date of purchase.*
- *It is important to note that your warranty becomes invalid should non Daewoo parts or accessories be used with this appliance*

ErP Data

Model		HEA1840			
Item	Symbol	Value	Unit	Item	Unit
Heat output				Type of heat input, for electric storage local space heaters only (select one)	
Nominal heat output	P_{nom}	2.3	KW	manual heat charge control, with integrated thermostat	Not applicable
Minimum heat output (indicative)	P_{min}	1.0	KW	manual heat charge control with room and/or outdoor temperature feedback	Not applicable
Maximum continuous heat output	$P_{max,c}$	2.3	KW	electronic heat charge control with room and/or outdoor temperature feedback	Not applicable
Auxiliary electricity consumption				fan assisted heat output	
				Yes	
At nominal heat output	el_{max}	0	KW	Type of heat output/room temperature control (select one)	
At minimum heat output	el_{min}	0	KW	single stage heat output and no room temperature control	[no]
In standby mode	el_{SB}	0	KW	Two or more manual stages, no room temperature control	[no]
				with mechanic thermostat room temperature control	
				[no]	
				with electronic room temperature control	
				[yes]	
				electronic room temperature control plus day timer	
				[no]	
				electronic room temperature control plus week timer	
				[no]	
				Other control options (multiple selections possible)	
				room temperature control, with presence detection	
				[no]	
				room temperature control, with open window detection	
				[no]	
				with distance control option	
				[yes]	
				with adaptive start control	
				[no]	
				with working time limitation	
				[no]	
				with black bulb sensor	
				[no]	



DAEWOO®

WARRANTY

Thank you for purchasing your Daewoo product.

As part of our commitment to quality, we are offering you an extra 2 years warranty in addition to your 1 year guarantee

Your Daewoo product is guaranteed for 1 year from the date of original purchase, with proof of purchase or receipt. If any defect should occur due to faulty workmanship or material, your faulty product should be returned to the place of purchase, replacement or refund is at the discretion of the retailer.

The guarantee is subject to the following provisions:

- The product must be correctly installed and operated in accordance with the requirements contained in the instruction manual.
- The product must be used solely for domestic purposes.
- It does not cover general wear and tear, damage, misuse or any consumable parts.
- The guarantee will be rendered invalid if the product is re-sold or has been damaged through inexpert repair.
- The guarantee is only valid within the UK and Eire.

Your standard 1 year guarantee will only be extended to the maximum available for your individual product upon registration. (Note: products must be registered individually and covers the main body and housing). If you do not register your product within 28 days of the original purchase date, your product will only be guaranteed for 1 year.

To validate your extended 2 year warranty* please register your purchase online within 28 days of the original purchase date by registering at:

<https://help.daewooelectricals.com>

or

[Contact Us \(daewooelectricals.com\)](https://www.daewooelectricals.com)

****Your extended warranty is only valid with proof of purchase receipt and subject to the conditions outlined above.***

Daewoo® is a registered trademark.
Produced and imported under license by
Eurosonic Group Limited
Brightgate House
1 Brightgate Way
Manchester M32 0TB UK
EU Rep: EuroSonic Magppie (ESM) Ltd. Ireland D05 X006
www.esgltd.com