



# 1500W 7 FIN OIL FILLED HEATER WITH TIMER



## READING AND STORING THE USER MANUAL



Before using this product, please read through this manual carefully paying particular attention to the safety instructions. Failure to do so may result in personal injury or damage to the product.

Carefully save this instruction manual for future reference. Ensure the user manual is included when passing the product on to any third parties.

## IMPORTANT SAFETY INSTRUCTIONS FOR PROPER USE

When using electrical appliances, basic safety precautions should always be followed.

Only use the product as described in this user manual. Any other use is considered improper and may result in damage to property or persons. The manufacturer or vendor cannot be held liable for damages or injury incurred through improper or incorrect use.

- **Read and familiarise yourself with all operating instructions before using this Oil Filled Radiator.**
- Before plugging your unit into the mains, visually check that the unit is intact and has not suffered any transit damage.

**⚠ WARNING!** In order to avoid overheating, do not cover the heater.

- **DO NOT** install the appliance directly below an electrical socket.
- **DO NOT** use this heater with a programmer, timer, separate remote-control system or any other device that switches the heater on automatically, since a fire risk exists if the heater is covered or positioned incorrectly.
- **DO NOT** use this heater with an extension cable.
- Check that the voltage indicated on the data plate corresponds with that of the local network before connecting the appliance to the mains power supply.
- Close supervision is required when using this appliance near children.
- This appliance can be used by children aged from 8 years and above and persons with reduced physical, sensory or

mental capabilities or lack of experience and knowledge if they have been given supervision or instruction concerning use of the appliance in a safe way and understand the hazards involved. Children shall not play with the appliance. Cleaning and user maintenance shall not be made by children without supervision.

- Children of less than 3 years should be kept away unless continuously supervised.
- Children aged from 3 years and less than 8 years shall only switch on/off the appliance provided that it has been placed or installed in its intended normal operating position and they have been given supervision or instruction concerning use of the appliance in a safe way and understand the hazards involved.
- Children aged from 3 years and less than 8 years shall not plug in, regulate and clean the appliance or perform user maintenance.

**⚠ WARNING!** Some parts of this product can become very hot and cause burns. Particular attention has to be given where children and vulnerable people are present.

- **DO NOT** use this heater in the immediate surroundings of a bath, a shower or a swimming pool.
- **DO NOT** immerse the appliance or its cord in water or any other liquids.
- **DO NOT** leave the appliance unattended during use.
- **DO NOT** leave the appliance unattended whilst connected to the mains supply.
- Always use this appliance on a solid, level, heat resistant surface.
- **DO NOT** use this appliance outdoors.
- It is imperative to unplug the power cord after the appliance has been used, before it is cleaned and whilst being repaired.

- Repairs to electrical appliances should only be performed by a qualified electrician. Improper repairs may place user at serious risk.
- **DO NOT** operate this appliance with a damaged plug or cord, after a malfunction or after being dropped or damaged in any way.
- Regular, periodic checks should be carried out on the mains cable to ensure no damage is evident. Should there be any signs of damage the appliance should not be used.
- If the power cable is damaged, it should only be replaced by the manufacturer or a suitable qualified after-sales-service in order to avoid a hazard
- **DO NOT** allow the mains cable to hang over sharp edges or come in contact with hot surfaces.
- **DO NOT** run the mains cable under carpets, rugs, etc.
- Allow the unit to cool before storage.
- Before cleaning, disconnect the appliance from the mains supply and allow to cool.
- Never place the appliance near to flammable material or high pressure containers. e.g. Paper, wood, petrol, solvents, spray canisters.
- This appliance is intended for household use only and should not be used for industrial purposes.
- **DO NOT** use any accessories or attachments with this appliance other than those supplied or recommended by supplier.
- **DO NOT** use this appliance for anything other than its intended use.
- **DO NOT** push objects into any openings as damage to the appliance and/or electric shock may occur.
- Ensure appliance is situated in an open area, do not allow it to come in contact with Cupboards, Curtains, wall coverings, clothing or other flammable materials.
- The appliance should not be installed in areas which have a fire-risk, such as garages, stables or wooden sheds; this

is applicable also for rooms in which highly inflammable gasses or dust can develop. Danger of fire!!


- Unplug after each use. Grasp the plug, not the cord.

**ONCE ASSEMBLED ALLOW THE RADIATOR TO STAND UPRIGHT FOR ONE HOUR TO ALLOW FOR THE OIL TO SETTLE**

**THIS RADIATOR MUST ONLY BE OPERATED IN THE UPRIGHT POSITION WITH THE CASTORS FITTED.**

**THIS APPLIANCE MUST BE EARTHED**

This appliance has been ERP classified as a portable space heater and should only be used for supplementary, secondary or temporary heating. It should not be considered for primary permanent heating in a room or dwelling.

** During the first few minutes of initial use, you may notice a slight odour and a little smoke. This is normal and will quickly disappear, It is the coating applied to the heating elements to prevent any corrosion during transit.**

This heater is filled with a precise quantity of special oil. Repairs requiring opening of the oil container are only to be made by the manufacturer.

Whilst scrapping the heater, follow the regulations concerning the disposal of oil.

## Explanation of Symbols

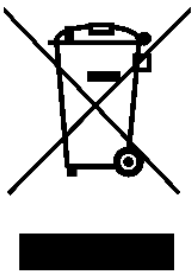
The following warning symbols or words are used in this instruction manual:



Products labelled with UK Conformity Assessment identifies products conforming to UK statutory requirements.



Products labelled with this symbol conform to applicable provisions of the European Economic Area.



You should now recycle your waste electrical goods and in doing so help the environment. This symbol means waste electrical products at the end of their useful life should not be disposed of with normal household waste and not sent to landfill. Please ensure it is taken to a suitable facility for disposal. Check with your Local Authority or retailer for recycling advice or visit [www.recycle-more.co.uk](http://www.recycle-more.co.uk) enter your postcode to find out your nearest recycling site.



This symbol provides useful additional information on the use of this product.



This symbol indicates that the supply uses an alternating current mains supply.



This designates a hazard with moderate risk, which may result in severe injury if not adhered to.

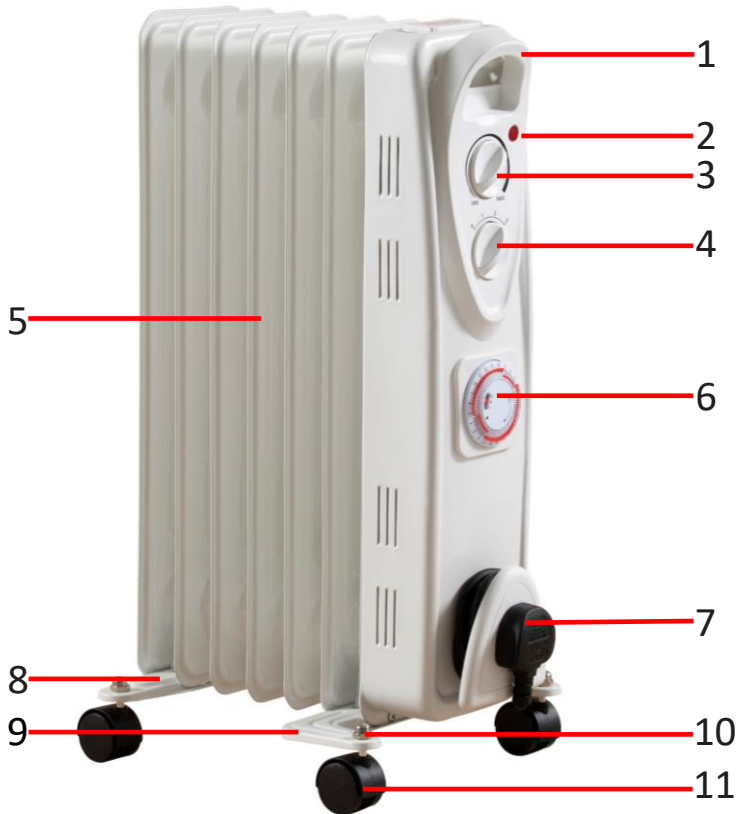
### Safety Tip-Over Switch

This Oil Filled Radiator is fitted with built in safety Tip-Over Switch. If the radiator is knocked over or not placed on a level surface the appliance will automatically switch off.

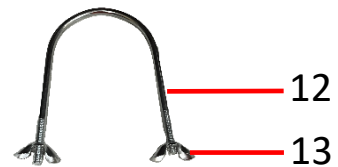
Should the Safety Tip-Over Switch activate, remove the plug from the mains socket and check for any damage.

If no damage has occurred, allow the radiator to stand upright for one hour to allow for the oil to settle before use.

## Description of Parts



1. Carry Handle
2. Heat Indicator
3. Thermostat
4. Heat Setting
5. Radiator Fins
6. Timer
7. Cord Storage
8. Straight Wheel Plate
9. Angled Wheel Plate
10. Domed Nuts (x 4)
11. Castors (x 4)
12. U-Bolts (x 2)
13. Wing Nuts (x 4)



### Before the first time you use your Oil Filled Radiator

Remove all packing materials and discard responsibly.

Ensure that all parts are present before assembling your Oil Filled Radiator – see *Description of Parts* above.

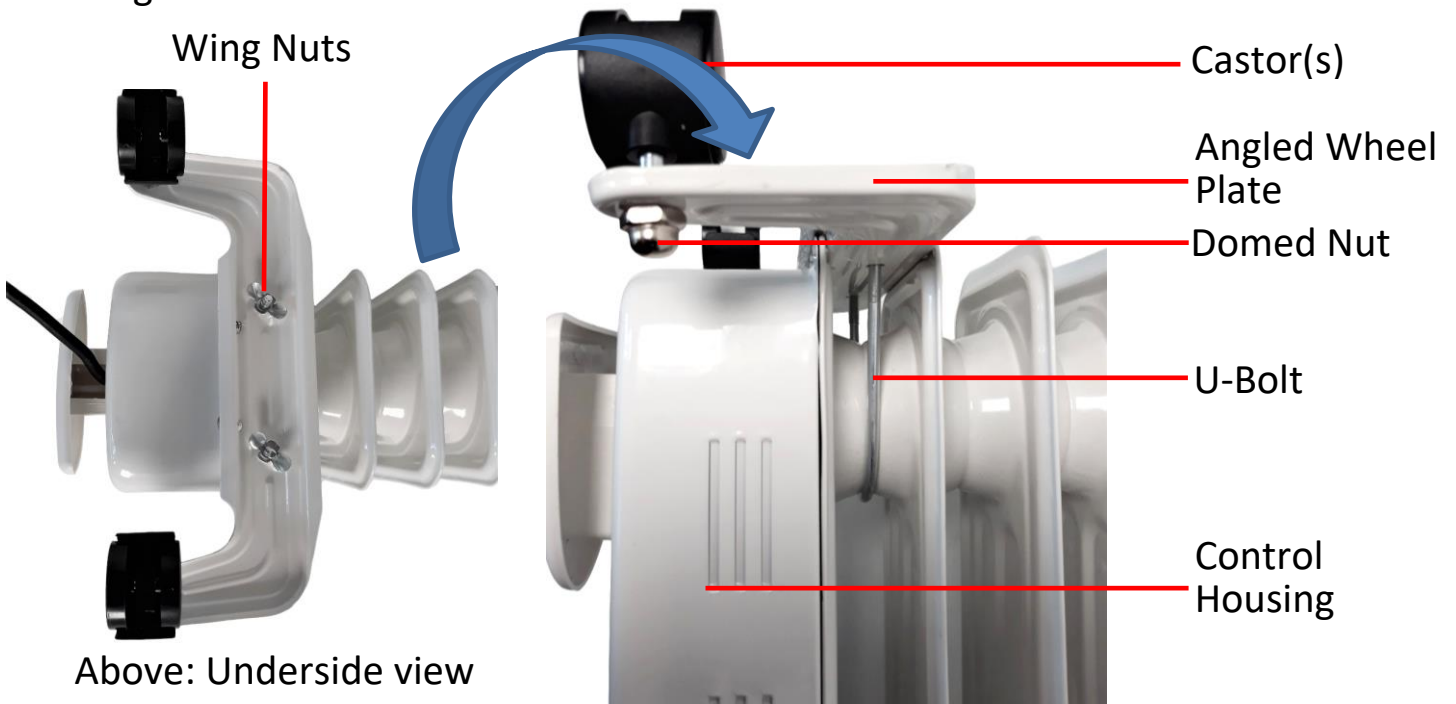
### Assembling Your Oil Filled Radiator

1. Place protective material (such as cardboard) on the floor to prevent scratching or damage to the appliance.
2. Turn the radiator upside down onto the material ensuring that it is stable.

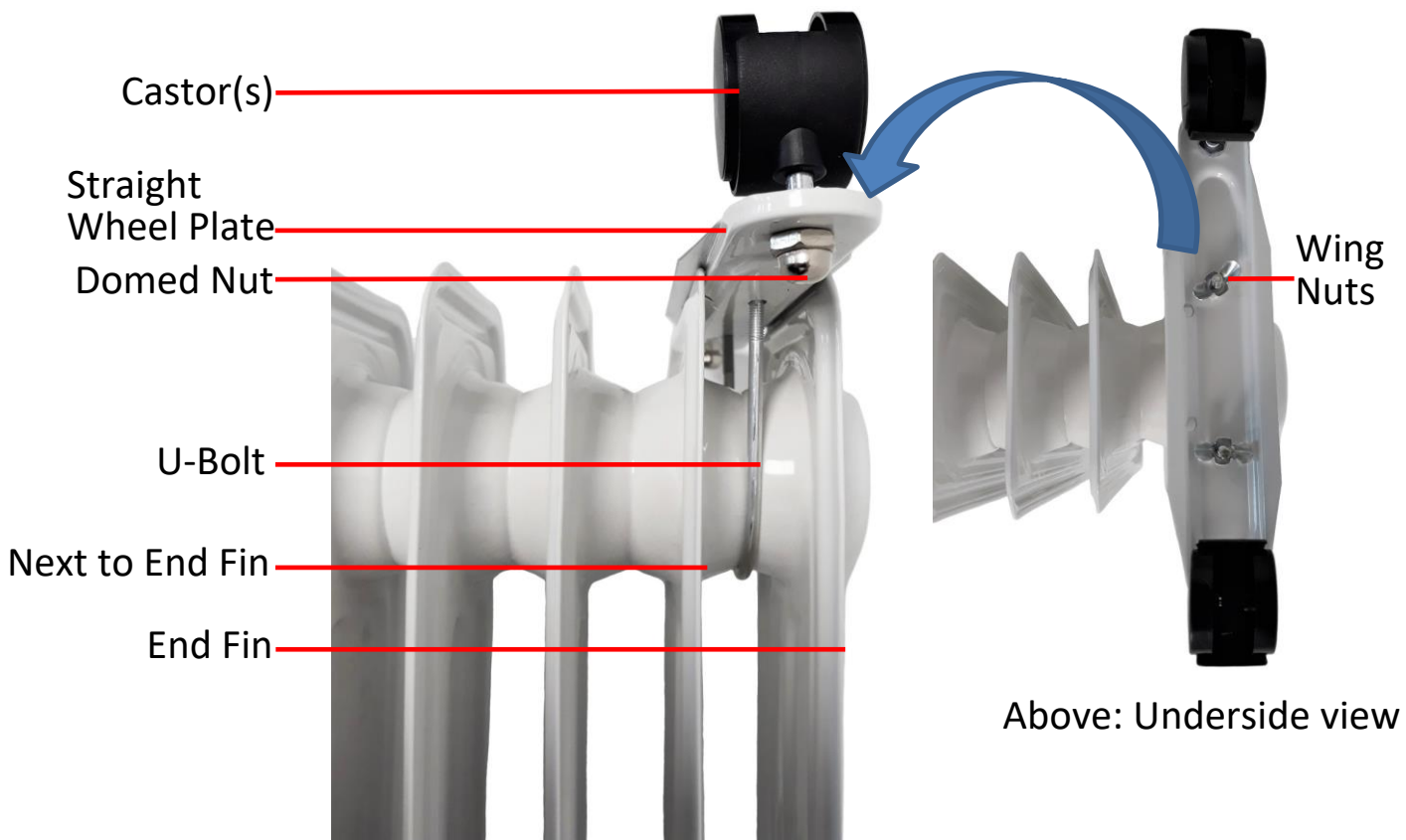
- i** The oil inside the radiator will be heard to settle inside this is quite normal.
3. Attach the **Castors** (11) to the **Wheel Plates** (8 & 9) using the **Domed nuts** (10) supplied (arrowed below), tighten with a suitable spanner (not supplied):



4. Remove the **Wing Nuts** (13) from one the **U-Bolts** (12) and loop it between the first and second fins next to the control housing, attach the **Angled Wheel Plate** (9-above) using the **Wing Nuts** (13) as in the image below, taking care not to overtighten:



5. Remove the **Wing Nuts** (13) from the other **U-Bolt** (12) and loop it between the end and next to the end fins. Attach the **Straight Wheel Plate** (8) (above) using the **Wing Nuts** (13) as in the image below, taking care not to overtighten:



6. Once the **Castors** (11) are attached invert the radiator the correct way up onto its **Castors** (11) and place into the desired position ensuring that it is stable and vertical. The oil inside the radiator will be heard to settle inside this is quite normal.

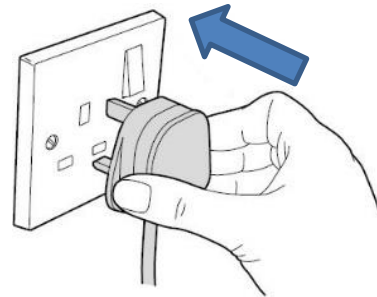
**Operating Instructions – Using the Radiator without the Timer (6)**

**IMPORTANT:** Before using your Oil Filled Radiator, ensure that the **Timer Mode Switch** (14) on the **Timer** (6) is in the **I** position for the radiator to work normally:



Left: The **Timer Mode Switch** (14) shown in **I** position.

The radiator will work normally and is not timed.



1. Insert the mains plug into the nearest socket and switch the socket on (if applicable).

2. Select the desired heat setting by rotating the **Heat Setting** (4) switch clockwise to position **1** for the low heat setting, to **2** for medium heat and to **3** for high heat:



**1 Low Heat**  
600W



**2 Medium Heat**  
900w



**3 High Heat**  
1500W



3. Once the Heat Setting has been chosen as above, rotate the **Thermostat (3)** to the fully clockwise position. The **Heat Indicator (2)** will illuminate to show the radiator is heating up.

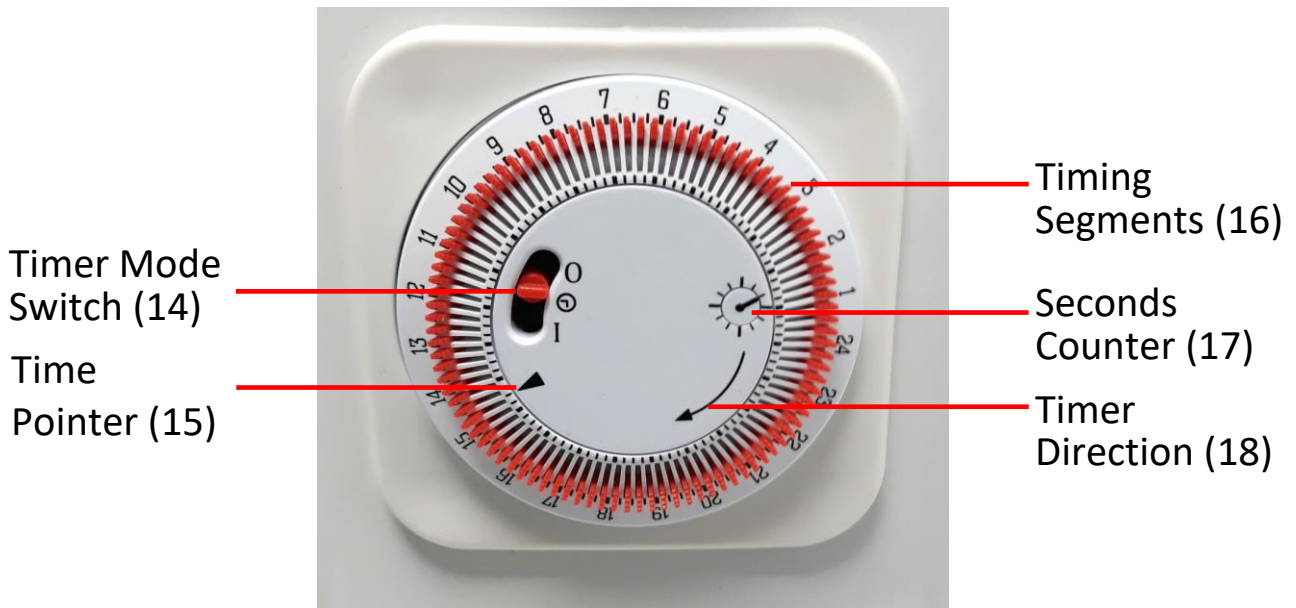
4. Once the room reaches the desired temperature, rotate the **Thermostat (3)** anti-clockwise until the **Heat Indicator (2)** just goes out. The **Thermostat (3)** will now maintain the set temperature. The **Thermostat (3)** control may need to be rotated clockwise to increase the temperature or anticlockwise to reduce the temperature to 'fine tune' the ideal room temperature.



5. To switch off the radiator, return the **Heat Setting (4)** switch to the '0' position (arrowed left) and the **Thermostat (3)** fully anticlockwise.

## Operating Instructions – Using the Radiator with the Timer (6)

The **Timer (6)** is a 24 hour type and has 96 segments around the outside; each segment is equivalent to 15 minutes.



### Timer Mode Switch (14) Settings



Switch in I position.

The radiator will work normally and is not timed.



Switch in 1 position.

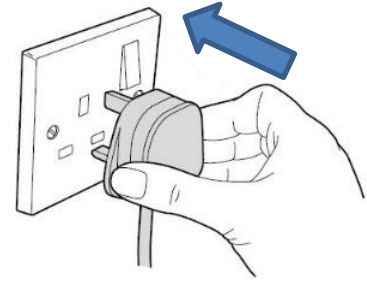
The radiator Timer is activated and will switch on and off according to the time and segment positions.



Switch in 0 position.

The radiator is switched off and will not operate at all.

1. Insert the mains plug into the nearest mains socket and switch the socket on (if applicable).



- i** The heater must be left connected to the mains in order for the timer to operate.
2. Set the correct time on the dial by rotating the dial clockwise in the **Timer Direction** (18) until the correct time of day lines up with the **Time Pointer** (15). i.e. to set the time for 8.00pm in the evening rotate the dial until the time pointer aligns with 20 on the dial.
  3. Move the **Timer Mode Switch** (14) to the timed **⌚** mid position.
  4. Pull the **Timing Segments** (16) **out** for the desired time when the heater needs to be *on*.
  5. Push the **Timing Segments** (16) **in** for the time when the heater needs to be *off*.
  6. Set the radiator Heat Mode and Thermostat settings as described above.
  7. The radiator will now come on only at the time set on the timer.
- i** Whilst using the radiator in timer mode, due consideration must be given to the fact that the heater may come on whilst unattended.

### Care and Use of your Oil Filled Radiator

- Always disconnect the heater from the mains power supply and allow to cool before cleaning.
- Clean outside of the heater with a clean damp cloth. Never clean with harsh or abrasive cleaners.
- **DO NOT** submerge any part of the heater in water or any other liquids.

### Technical Specification

Rated Voltage	220-240V~ 50/60Hz
Rated Power	1500W
Model Number	HEA1894
Protection Class	I (This appliance must be earthed)

### **Non-Rewireable Mains Plug**

If your appliance is supplied with a non-rewireable plug fitted to the mains lead and should the fuse needed replacing, you must use an ASTA approved one (conforming to BS 1362 of the same rating). Never use a plug with the fuse cover missing. If in doubt, consult a qualified electrician.

If you need to remove the plug -**DISCONNECT FROM THE MAINS**- and then cut it off the mains lead and immediately dispose of it safely. Never attempt to reuse the plug or insert it into a socket outlet as there is a danger of electric shock.

### **Recycling Information**

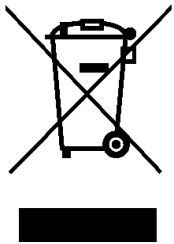
#### **Disposal of the Packaging**

Dispose of paper and cardboard in appropriate paper re-cycling facilities.

Dispose of recyclable plastics in appropriate plastic re-cycling facilities.

Dispose of non-recyclable plastics in the appropriate plastics collection service.

#### **Disposal of the Product**



You should now recycle your waste electrical goods and in doing so help the environment. This symbol means waste electrical products at the end of their useful life should not be disposed of with normal household waste and not sent to landfill. Please ensure it is taken to a suitable facility for disposal. Check with your Local Authority or retailer for recycling advice or visit [www.recycle-more.co.uk](http://www.recycle-more.co.uk) to find your nearest recycling point.

**This heater is filled with a precise quantity of special oil. Repairs requiring opening of the oil container are only to be made by the manufacturer.**

**Whilst scrapping the heater, follow the regulations concerning the disposal of oil.**

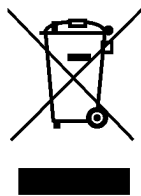
## ***Customer Support***

*Should you require any product information, replacement parts or accessories, please contact our customer care team at [help@daewooelectricals.com](mailto:help@daewooelectricals.com) or call 0161 831 7879.*

- *Replacement parts and accessories are guaranteed for 1 year from the date of purchase.*
- *It is important to note that your warranty becomes invalid should non Daewoo parts or accessories be used with this appliance*

**UK  
CA**

**C E**



## ErP Data

Model identifier(s): HEA1894				
Item	Symbol	Value	unit	
<b>Heat output</b>				<b>Type of heat input, for electric storage local space heaters only (select one)</b>
Nominal heat output	$P_{nom}$	0.7001	kW	manual heat charge control, with integrated thermostat [no]
Minimum heat output (indicative)	$P_{min}$	0.4535	kW	manual heat charge control with room and/or outdoor temperature feedback [no]
Maximum continuous heat output	$P_{max,c}$	0.7001	kW	electronic heat charge control with room and/or outdoor temperature feedback [no]
<b>Auxiliary electricity consumption</b>				fan assisted heat output [no]
At nominal heat output	$e_{lmax}$	0.000	kW	<b>Type of heat output/room temperature control (select one)</b>
At minimum heat output	$e_{lmin}$	0.000	kW	single stage heat output and no room temperature control [no]
In standby mode	$e_{lsb}$	0.000	kW	Two or more manual stages, no room temperature control [no]
				with mechanic thermostat room temperature control [yes]
				with electronic room temperature control [no]
				electronic room temperature control plus day timer [no]
				electronic room temperature control plus week timer [no]
				<b>Other control options (multiple selections possible)</b>
				room temperature control, with presence detection [no]
				room temperature control, with open window detection [no]
				with distance control option [no]
				with adaptive start control [no]
				with working time limitation [no]
				with black bulb sensor [no]
Contact details:				



# DAEWOO®

## WARRANTY

*Thank you for purchasing your Daewoo product.*

*As part of our commitment to quality, we are offering you an extra 2 years warranty in addition to your 1 year guarantee*

Your Daewoo product is guaranteed for 1 year from the date of original purchase, with proof of purchase or receipt. If any defect should occur due to faulty workmanship or material, your faulty product should be returned to the place of purchase, replacement or refund is at the discretion of the retailer.

The guarantee is subject to the following provisions:

- The product must be correctly installed and operated in accordance with the requirements contained in the instruction manual.
- The product must be used solely for domestic purposes.
- It does not cover general wear and tear, damage, misuse or any consumable parts.
- The guarantee will be rendered invalid if the product is re-sold or has been damaged through inexpert repair.
- The guarantee is only valid within the UK and Eire.

Your standard 1 year guarantee will only be extended to the maximum available for your individual product upon registration. (Note: products must be registered individually and covers the main body and housing). If you do not register your product within 28 days of the original purchase date, your product will only be guaranteed for 1 year.

*To validate your extended 2 year warranty\*please register your purchase online within 28 days of the original purchase date by registering at:*

<https://help.daewooelectricals.com>

or

[Contact Us \(daewooelectricals.com\)](mailto:daewooelectricals.com)

\*Your extended warranty is only valid with proof of purchase receipt and subject to the conditions outlined above.

Daewoo® is a registered trademark.  
Produced and imported under license by  
Eurosonic Group Limited  
Brightgate House  
1 Brightgate Way  
Manchester M32 0TB UK  
EU Rep: EuroSonic Magppie (ESM) Ltd. Ireland D05 X006  
[www.esgltd.com](http://www.esgltd.com)