



DAEWOO®



12KG ICE MAKER

With self-clean

User Manual

*Please refer to the warranty section for terms of your extended guarantee



Contents

Page No.	
2	Contents
3	Reading and Storing the User Manual
3	Important Safety Instructions for Proper Use
6	Additional Safety Information
7	Explanation of Symbols
8	Description of Parts
10	Before First Use of Your Ice Maker
11	Instructions for Use – Ice Maker
12	Automatic Self-Cleaning
12	Cleaning and Maintenance
13	Technical Specification
13	Troubleshooting Guide
14	Plug Wiring Information
14	Recycling Information
15	Customer Support
Back Page	Warranty Information

READING AND STORING THE USER MANUAL



Before using this product, please read through this manual carefully paying particular attention to the safety instructions. Failure to do so may result in personal injury or damage to the product.

Carefully save this instruction manual for future reference. Ensure the user manual is included when passing the product on to any third parties.

IMPORTANT SAFETY INSTRUCTIONS FOR PROPER USE

When using electrical appliances, basic safety precautions should always be followed.

Only use the product as described in this user manual. Any other use is considered improper and may result in damage to property or persons. The manufacturer or vendor cannot be held liable for damages or injury incurred through improper or incorrect use.

- **Read and familiarise yourself with all operating instructions before using Ice Maker.**
- Before plugging your Ice Maker into the mains, visually check that it is intact and has not suffered any transit damage.
- Check that the voltage indicated on the data plate corresponds with that of the local network before connecting the appliance to the mains power supply.
- Close supervision is required when using this appliance near children.
- Never leave this appliance within reach of children.
- This appliance can be used by children aged from 8 years and above if they have been given supervision or instruction concerning use of the appliance in a safe way and if they understand the hazards involved. Cleaning and user maintenance shall not be made by children unless they are older than 8 and supervised. Keep the appliance and its cord out of reach of children aged less than 8 years. This appliance can be used by persons with reduced physical, sensory or mental capabilities or lack of experience and

knowledge if they have been given supervision or instruction concerning use of the appliance in a safe way and understand the hazards involved. Children shall not play with the appliance.

- Always use this appliance on a solid, level, non-flammable surface.
- **DO NOT** use this appliance outdoors.
- It is imperative to unplug the power cord after the appliance has been used, before it is cleaned and whilst being repaired.
- If the supply cord is damaged, it must be replaced by the manufacturer, service agent or similarly qualified person in order to avoid hazard.
- Repairs to electrical appliances should only be performed by qualified personnel. Improper repairs may place user at serious risk.
- **DO NOT** operate this appliance with a damaged plug or cord, after a malfunction or after being dropped or damaged in any way.
- Regular, periodic checks should be carried out on the mains cable to ensure no damage is evident. Should there be any signs of damage the appliance should not be used.
- **DO NOT** allow the mains cable to hang over sharp edges or come in contact with hot surfaces.
- **DO NOT** run the mains cable under carpets, rugs, etc.
- Allow the unit to cool before storage.
- Never place the appliance near to flammable material or high-pressure containers.
- This appliance is intended for household use only and should not be used for industrial purposes.
- **DO NOT** use any accessories or attachments with this appliance other than those supplied or recommended by supplier.

- **DO NOT** immerse the appliance, base or its cord in water or any other liquids.
- **DO NOT** leave the appliance unattended during use.
- **DO NOT** leave the appliance unattended whilst connected to the mains supply.
-
- **DO NOT** use this appliance for anything other than its intended use.
- **DO NOT** push objects into any openings as damage to the appliance and/or electric shock may occur.
- Ensure appliance is situated in an open area, do not allow it to come in contact with cupboards, curtains, wall coverings, clothing or other flammable materials.
- Unplug after each use. Grasp the plug, not the cord.
- **DO NOT** cover this appliance.
- Never place this appliance on an electric, gas, or any other type of hob.
- Never fill the Ice-Maker more than its capacity – ensure the water level is not exceed the max marks on the water tank.
- Always close the tank lid during use and do not open the lid or remove the filter holder whilst the water is boiling.

THIS APPLIANCE MUST BE EARTHED

ADDITIONAL SAFETY INFORMATION

- **This appliance is intended for use in domestic households only, it must not be used for commercial use.**
- **DO NOT cover the Ice Maker.**
- **Allow to the ice maker to cool fully before storing.**
- **DO NOT place anything on top of the appliance.**
- **Ensure that the water level in the water tank does not exceed the MAX mark whilst filling**
- **DO NOT obstruct the air intakes on the rear and left hand side of the ice maker.**
- **DO NOT obstruct the fan outlet on the outside of the ice maker.**
- **DO NOT use the ice maker in temperatures of less than 5°C.**

Explanation of Symbols

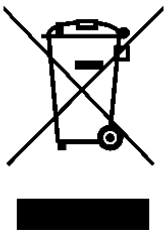
The following warning symbols or words are used in this instruction manual:



Products labelled with UK Conformity Assessment identifies products conforming to UK statutory requirements.



Products labelled with this symbol conform to applicable provisions of the European Economic Area.



You should now recycle your waste electrical goods and in doing so help the environment. This symbol means waste electrical products at the end of their useful life should not be disposed of with normal household waste and not sent to landfill. Please ensure it is taken to a suitable facility for disposal. Check with your Local Authority or retailer for recycling advice or visit www.recycle-more.co.uk, enter your postcode to find out your nearest recycling site.



This designates a hazard with moderate risk, which may result in severe injury if not adhered to.



This symbol provides useful additional information on the use of this product.

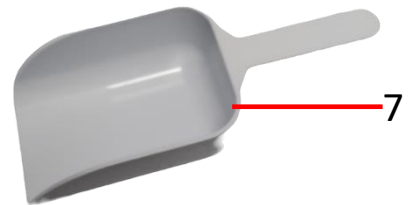
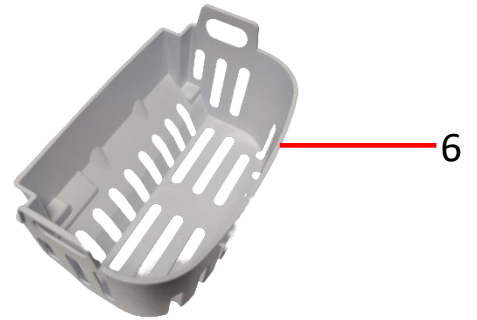


This symbol indicates that the supply uses an alternating current mains supply.



Warning: Risk of Fire/flammable materials used.

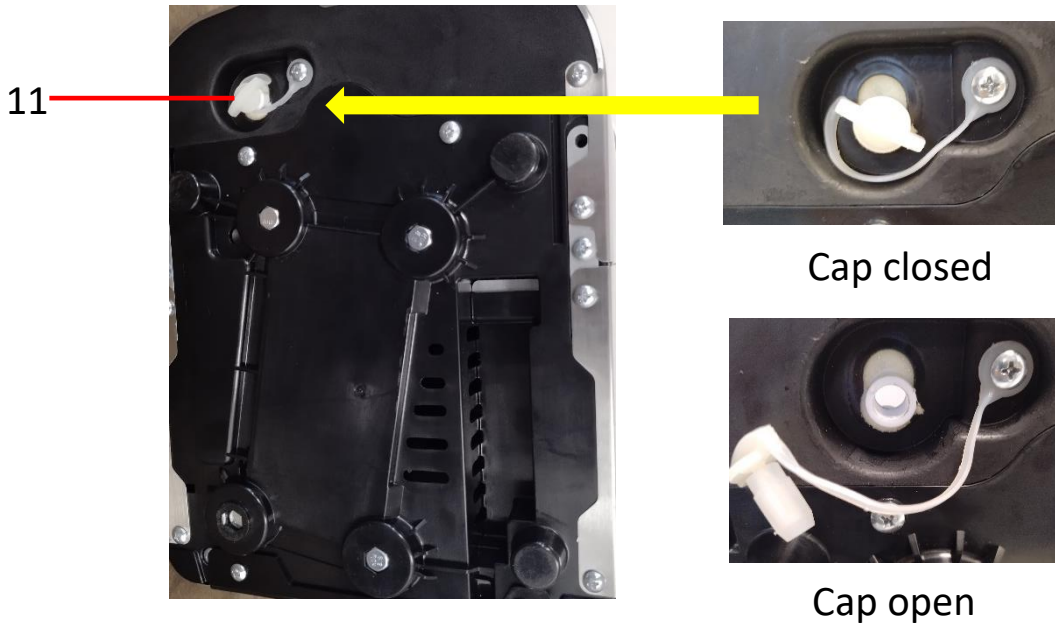
Description of Parts



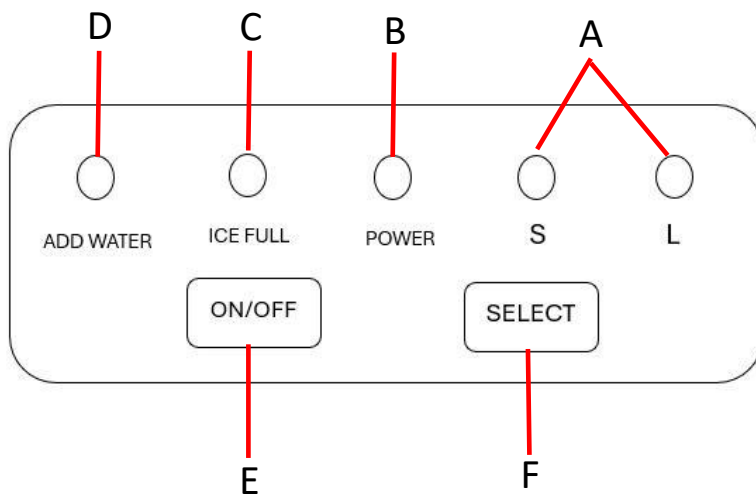
1. Lid (with transparent Window)
2. Ice full Sensor
3. Water Tank
4. Control Panel
5. Air outlet fan
6. Ice Storage Basket
7. Ice Scoop
8. Handle
9. Air intake
10. Air intake
11. Water Drain Cap



Description of Parts



Control Panel Description



- A. Ice cube size indicator, Small and Large.
- B. Power On indicator.
- C. Ice full indicator.
- D. Add water indicator.
- E. Power On button.
- F. Ice cube size selector.

Before first Use of Your Ice Maker

- Remove all packing materials and discard responsibly.
- Ensure all parts are present - see **Description of Parts** above.
- Check that there is no transit damage to the mains cable or product.
- Place the appliance on a solid, level, heat resistant surface clear of all obstructions as described above.
- Wash all the accessories (6 & 7) and **Water Tank (3)** in warm soapy then rinse and dry thoroughly.
- Attaching the **Handle (8)** – Rotate the **Handle (8)** to the same angle as the mounting holes on either side of the ice maker and insert. See fig. 1 below:

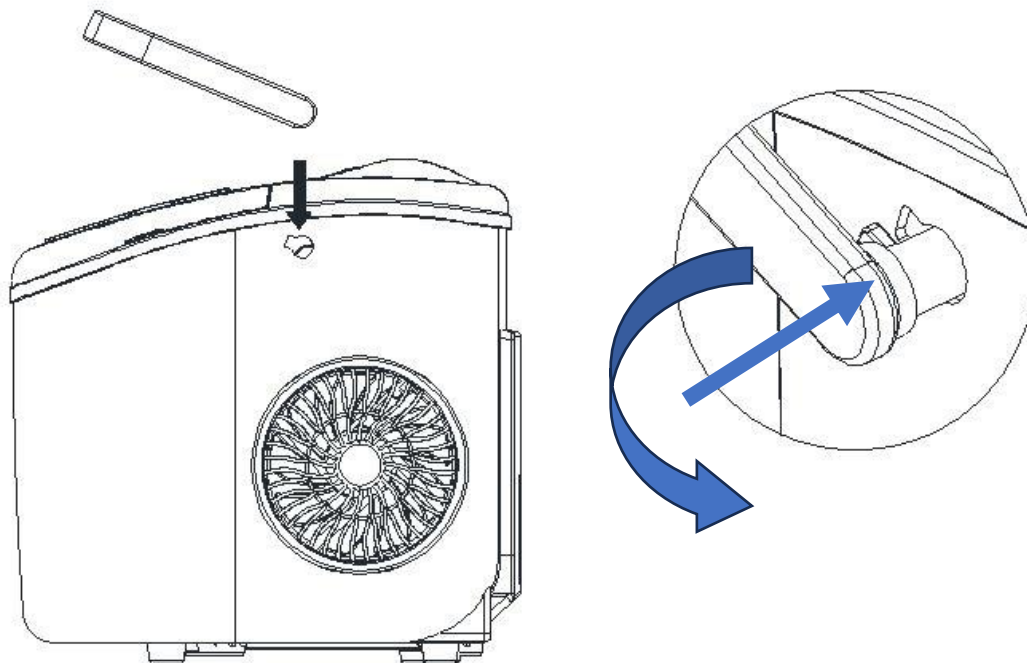


Fig 1

Instructions for Use – Ice Making

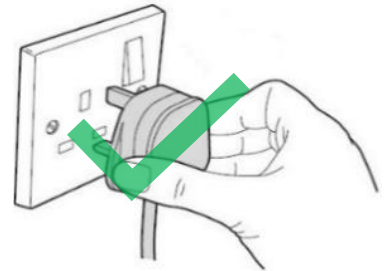
1. Place the ice maker on a solid level surface ensuring that it is strong enough to hold the weight of the unit.
2. Choose a position that is out of direct sunlight and away from sources of heat otherwise the performance of the machine will be compromised.
3. Ensure that all inlet and outlet vents have a minimum of 20cm clearance.
4. Once in the correct position allow the Ice Maker to sit for half an hour before connecting to the mains to allow the internal coolant to settle.
5. Open the Ice Maker **Lid** (1) and remove the **Ice Storage Basket** (6).
6. Replace the Ice Storage Basket (6) and fill the **Water Tank** (3) up to the 'MAX' mark as shown in fig. 2 below:



Fig. 2

7. **NB** Only water should be used with this ice maker – do not use alcohol or any other liquid as this will impair or damage the unit.
8. Place the ice storage basket onto the unit.

9. Insert the mains plug into the nearest socket.



10. The **POWER Indicator** (B) will continuously flash.
11. Press the **ON/OFF button** (E) to power up the ice maker, the **POWER Indicator** (B) and '**L**' **Indicator** (A) will illuminate and the ice maker will begin to create large ice cubes.
12. If you want change to small ice cubes, press the **SELECT button** (F), the '**S**' **Indicator** (A) will illuminate and the unit will begin to create small ice cubes.
13. The ice making cycle is around 6 to 13 minutes, it will depend on the room temperature and ice cube size.

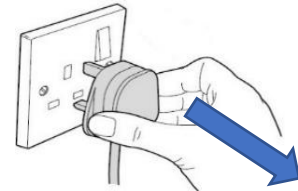
14. As they are formed, the ice cubes will drop into the **Ice Storage Basket (6)**. Once the basket is full of ice cubes, the red '**ICE Full**' Indicator (C) will illuminate.
NB only after removing, emptying and refitting the **Ice Storage Basket (6)** will the machine resume making ice cubes.
15. If the ice maker should run out of water, the red '**Add Water**' Indicator (D) will illuminate showing that the water tank requires water adding.

Automatic Self-Cleaning

- Insert the mains plug into the socket.
- Press 'ON/OFF' button on control panel for more than 5 seconds.
- It will enter the self-Cleaning program of 30 minutes, the 'S', 'L' LED will continuously flashes during cleaning.
- After cleaning, drain the water from the water tank through the drainage outlet at the bottom of the ice maker.

Cleaning and Maintenance

- Always unplug from the mains before cleaning.



- To drain the water from the ice maker, disconnect the ice maker from the mains and place it onto a sink draining board with the rear of the unit towards the sink. Remove the **Cap and Bung (11)** from the water tank drain and allow the water to drain off. Replace the bung and cap once the tank is empty.
- Clean inside and outside of the unit with a clean damp cloth. Never clean with harsh or abrasive cleaners
- Clean the outside of the ice maker with clean damp cloth.
- Dry the inside of the unit with a soft dry cloth, it is recommended that the lid is left open for a while to allow the ice maker to dry thoroughly
- Do not submerge the unit in water or any other liquids.
- Do not clean your ice maker in a dishwasher.
- Whilst not in use it is advised to leave the **Lid (1)** open to allow the Ice Maker to dry out thoroughly and thus prevent the build up of mould and mildew.

- **i** Clean the appliance after every use to keep it in good working order.
- **i** Do not allow water to sit in the tank, empty the tank after every use.

Technical Specification

Rated Voltage	220-240V~ 50Hz
Rated Current -Ice Making	0.8A
Rated Current – Ice Harvest	1.0A
Model Number	SDA2693
Protection Class	I (This Appliance Must Be Earthed)
Climate Type	SN/N/ST/T
Refrigerant	R600a /22g
Vesicant	C ₅ H ₁₀
Water tank capacity (maximum)	1.2 Litres
Net Weight	6.2Kg

Troubleshooting Guide

<i>Problem</i>	<i>Possible Cause</i>	<i>Possible Fix</i>
Ice Cubes sticking together	The ice making cycle is too long	Stop the ice maker, remove the ice cubes from basket, and re-start it after several minutes
	Water temperature of water tank is too low	Refill the water, water temperature recommended between 8°C-32°C
No ice cubes formed	Too high temperature of water or in room	The room temperature should be 10-43°C, water temperature should be 8-32°C
	Refrigerant in cooling system leaks.	Verify by a qualified technician.
	Pipe in the cooling system is blocked.	Verify by a qualified technician.
Red 'ADD WATER' LED is ONs	Lack of water	Press ON/OFF to turn off the ice maker, Fill the tank with water, press 'ON/OFF' button to turn on it
Red 'ICE FULL' LED is ON	Ice cubes are full in the storage basket	Remove ice cubes from the storage basket, press 'SELECT' button 5 seconds, the ice maker can be re-start

Non-Rewireable Mains Plug

If your appliance is supplied with a non-rewireable plug fitted to the mains lead and should the fuse need replacing, you must use an ASTA approved one (conforming to BS 1362 of the same rating). If in doubt, consult a qualified electrician. Never use a plug with the fuse cover missing.

If you need to remove the plug – **DISCONNECT FROM THE MAINS** – and then cut it off the mains lead and immediately dispose of it safely. Never attempt to reuse the plug or insert it into a socket outlet as there is a danger of electric shock.

Recycling Information

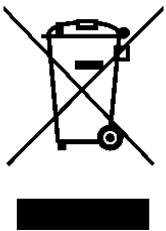
Disposal of the Packaging

Dispose of paper and cardboard in appropriate paper re-cycling facilities.

Dispose of recyclable plastics in appropriate plastic re-cycling facilities.

Dispose of non-recyclable plastics in the appropriate plastics collection service.

Disposal of the Product

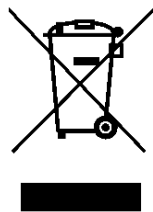


You should now recycle your waste electrical goods and in doing so help the environment. This symbol means waste electrical products at the end of their useful life should not be disposed of with normal household waste and not sent to landfill. Please ensure it is taken to a suitable facility for disposal. Check with your Local Authority or retailer for recycling advice or visit www.recycle-more.co.uk enter your postcode to find out your nearest recycling site.

Customer Support

Should you require any product information, replacement parts or accessories, please contact our customer care team at help@daewooelectricals.com or call 0161 831 7879.

- *Replacement parts and accessories are guaranteed for 1 year from the date of purchase.*
- *It is important to note that your warranty becomes invalid should non Daewoo parts or accessories be used with this appliance*

**UK
CA**



DAEWOO®

WARRANTY

Thank you for purchasing your Daewoo product.

As part of our commitment to quality, we are offering you an extra 2 years warranty in addition to your 1 year guarantee

Your Daewoo product is guaranteed for 1 year from the date of original purchase, with proof of purchase or receipt. If any defect should occur due to faulty workmanship or material, your faulty product should be returned to the place of purchase, replacement or refund is at the discretion of the retailer.

The guarantee is subject to the following provisions:

- The product must be correctly installed and operated in accordance with the requirements contained in the instruction manual.
- The product must be used solely for domestic purposes.
- It does not cover general wear and tear, damage, misuse or any consumable parts.
- The guarantee will be rendered invalid if the product is re-sold or has been damaged through inexpert repair.
- The guarantee is only valid within the UK and Eire.

Your standard 1 year guarantee will only be extended to the maximum available for your individual product upon registration. (Note: products must be registered individually and covers the main body and housing). If you do not register your product within 28 days of the original purchase date, your product will only be guaranteed for 1 year.

To validate your extended 2 year warranty* please register your purchase online within 28 days of the original purchase date by registering at:

<https://help.daewooelectricals.com>

or

[Contact Us \(daewooelectricals.com\)](https://www.daewooelectricals.com)

*Your extended warranty is only valid with proof of purchase receipt and subject to the conditions outlined above.

Daewoo is a registered trademark.
Produced and imported under licence by
Eurosonic Group Limited
Brightgate House
1 Brightgate Way
Manchester M32 0TB UK
EU Rep: EuroSonic Magppie (ESM) Ltd. Ireland D05 X006
www.esgltd.com