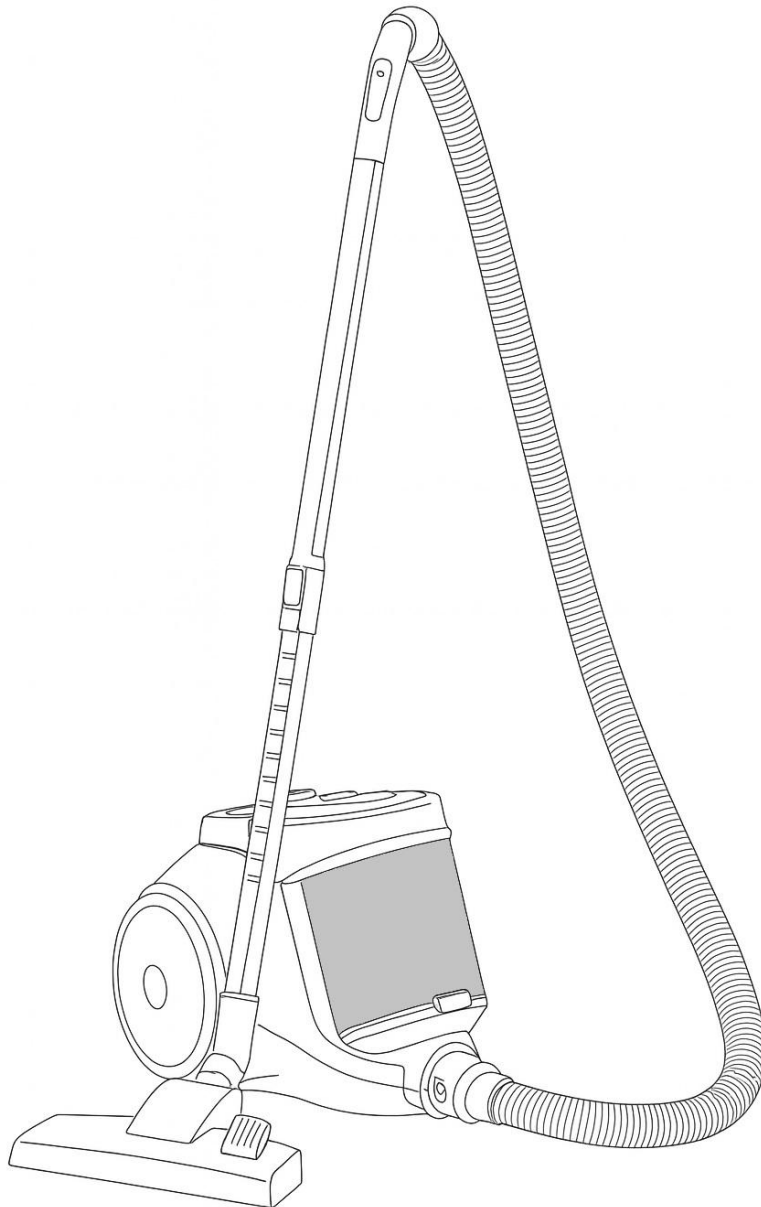




# Electrolux



**CORDED CYCLONE VACUUM  
FLR00223**

User Manual

## Contents

### Page No.

2	Contents
3	Reading and Storing the User Manual
3	Important Safety Instructions for Proper Use
7	Explanation of Symbols
8	What's in the Box
9	Description of Parts - Vacuum Front
10	Description of Parts - Vacuum Rear
11	Description of Parts - The Accessories
12	Before First Use of Your Vacuum Cleaner
13	Assembling Your Vacuum Cleaner
16	Using Your Vacuum Cleaner
20	After Using Your Vacuum Cleaner
21	Emptying Your Vacuum Cleaner
22	Cleaning the Cyclonic Filter
24	Reassembling the Cyclonic Filter
25	Removing & Cleaning the Outlet Filter
26	Care and Maintenance of Your Vacuum Cleaner
26	Recommended Filter Cleaning Intervals
27	Technical Specification
27	Plug Wiring Information
28	Troubleshooting Guide
28	Recycling Information
29	Customer Support
30	FSC and Safety Marks
Back Page	Warranty Information

**Before using this product, please read through this manual carefully paying particular attention to the safety instructions. Failure to do so may result in personal injury or damage to the product. Carefully save this instruction manual for future reference. Ensure the user manual is included when passing the product on to any third parties.**

## **Important Safety Instructions for Proper Use**

**When using electrical appliances, basic safety precautions should always be followed.**

Only use the product as described in this user manual. Any other use is considered improper and may result in damage to property or persons.

The manufacturer or vendor cannot be held liable for damages or injury incurred through improper or incorrect use.

- **Read and familiarise yourself with all operating instructions before using this Vacuum Cleaner.**
- Before plugging your unit into the mains, visually check that the unit is intact and has not suffered any transit damage.
- Check that the voltage indicated on the data plate corresponds with that of the local network before connecting the appliance to the mains power supply.
- This appliance can be used by persons with reduced physical, sensory or mental capabilities or lack of experience and knowledge if they have been given supervision or instruction concerning use of the appliance in a safe way and

## Important Safety Instructions for Proper Use

- understand the hazards involved.
- Children shall not play with the appliance.
  - Keep the appliance and its cord out of reach of children less than 8 years when it is energised or cooling down.
  - **DO NOT** immerse the appliance or its cord in water or any other liquids.
  - **DO NOT** leave the appliance unattended during use.
  - **DO NOT** leave the appliance unattended whilst connected to the mains supply.
  - **DO NOT** use this appliance outdoors.
  - It is imperative to unplug the power cord after the appliance has been used, before it is cleaned and whilst being repaired.
  - Repairs to electrical appliances should only be performed by a qualified electrician. Improper repairs may place user at serious risk.
  - **DO NOT** operate this appliance with a damaged plug or cord, after a malfunction or after being dropped or damaged in any way.
  - Regular, periodic checks should be carried out on the mains cable to
    - ensure no damage is evident. Should there be any signs of damage the appliance should not be used.
    - If the power cable is damaged, it should only be replaced by the manufacturer or a suitable qualified after-sales-service in order to avoid a hazard
  - **DO NOT** allow the mains cable to hang over sharp edges or come in contact with hot surfaces.

## Important Safety Instructions for Proper Use



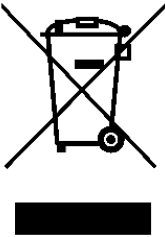



- Allow the unit to cool before storage.
- Before cleaning, disconnect the appliance from the mains supply and allow to cool.
- This appliance is intended for household use only and should not be used for industrial purposes.
- **DO NOT** use any accessories or attachments with this appliance other than those supplied or recommended by supplier.
- **DO NOT** use this appliance for anything other than its intended use.
- **DO NOT** push objects into any openings as damage to the appliance and/or electric shock may occur.
- Unplug after each use. Grasp the plug, not the cord.
- **DO NOT** pull or carry the Vacuum Cleaner by the electrical cord, use the handle provided.
- Ensure fingers and other objects are never placed in any part of the vacuum cleaner. Clothing or hair may become trapped if the vacuum is used improperly.
- Keep hair, loose clothing, jewellery, fingers and all parts of the body away from openings and moving parts.
- Keep all air vents clear and free of dust, lint, hair and anything else that may reduce airflow.
- Avoid directing the appliance towards naked flames as the air discharged may extinguish gas fires or pilot lights and may disturb ashes in open fires.
- **DO NOT** Vacuum water or any other liquids with this vacuum.

## Important Safety Instructions for Proper Use

- **DO NOT** Vacuum hot ashes or lit cigarettes, etc.

## Explanation of Symbols

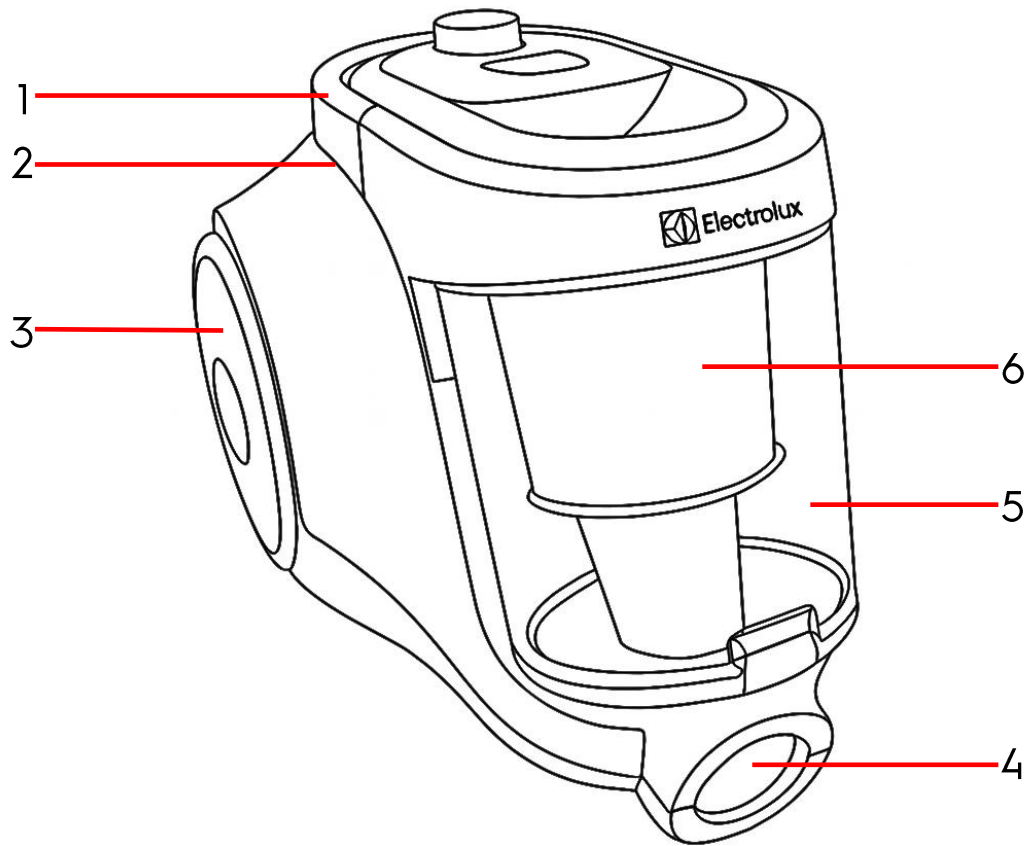
The following warning symbols or words are used in this instruction manual:

	<p>Products labelled with UK Conformity Assessment identifies products conforming to UK statutory requirements</p>
	<p>Products labelled with this symbol conform to applicable provisions of the European Economic Area.</p>
	<p>You should now recycle your waste electrical goods and in doing so help the environment. This symbol means waste electrical products at the end of their useful life should not be disposed of with normal household waste and not sent to landfill. Please ensure it is taken to a suitable facility for disposal. Check with your Local Authority or retailer for recycling advice or visit <a href="http://www.recycle-more.co.uk">www.recycle-more.co.uk</a> or <a href="http://www.weeeireland.ie">www.weeeireland.ie</a> enter your postcode to find out your nearest recycling site.</p>
	<p>This symbol indicates that the supply uses an alternating current mains supply.</p>
	<p>This designates a hazard with moderate risk, which may result in severe injury or damage to the product if not adhered to.</p>
	<p>This symbol indicates that the product is class II and is double insulated and therefore does not require an earth connection.</p>

## What's In the Box

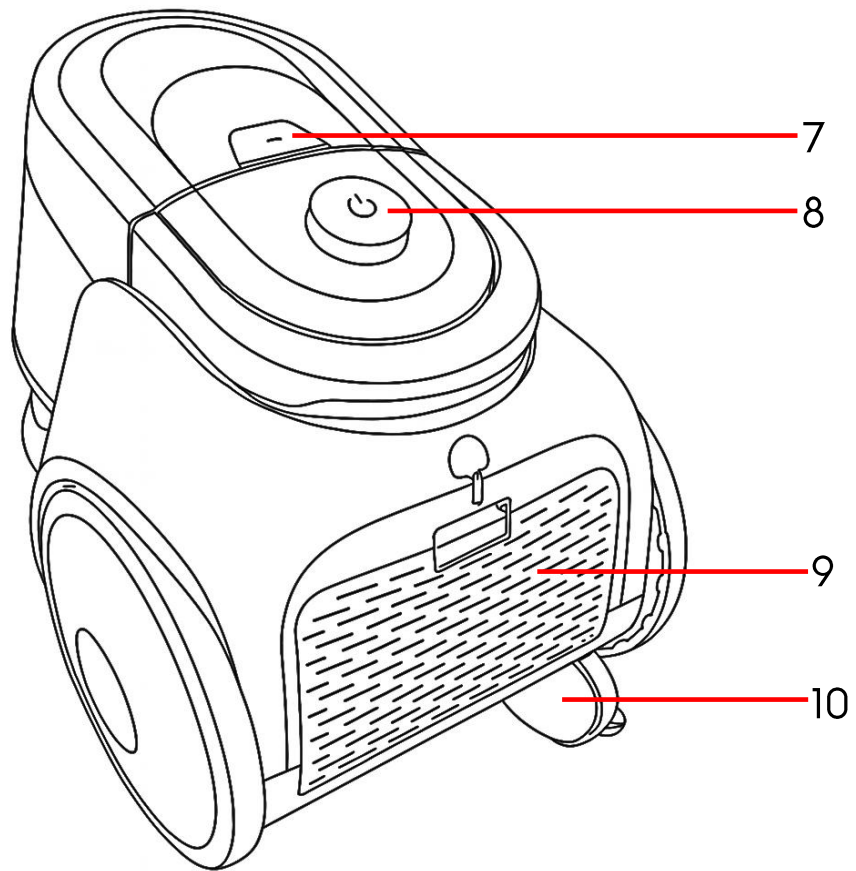
- Vacuum
- Telescopic Tube
- Flexible Hose
- 2 in 1 Crevice & Brush Tool.
- Floor Tool
- Mini Turbo Brush
- Instruction Manual

Description of Parts – Vacuum Front



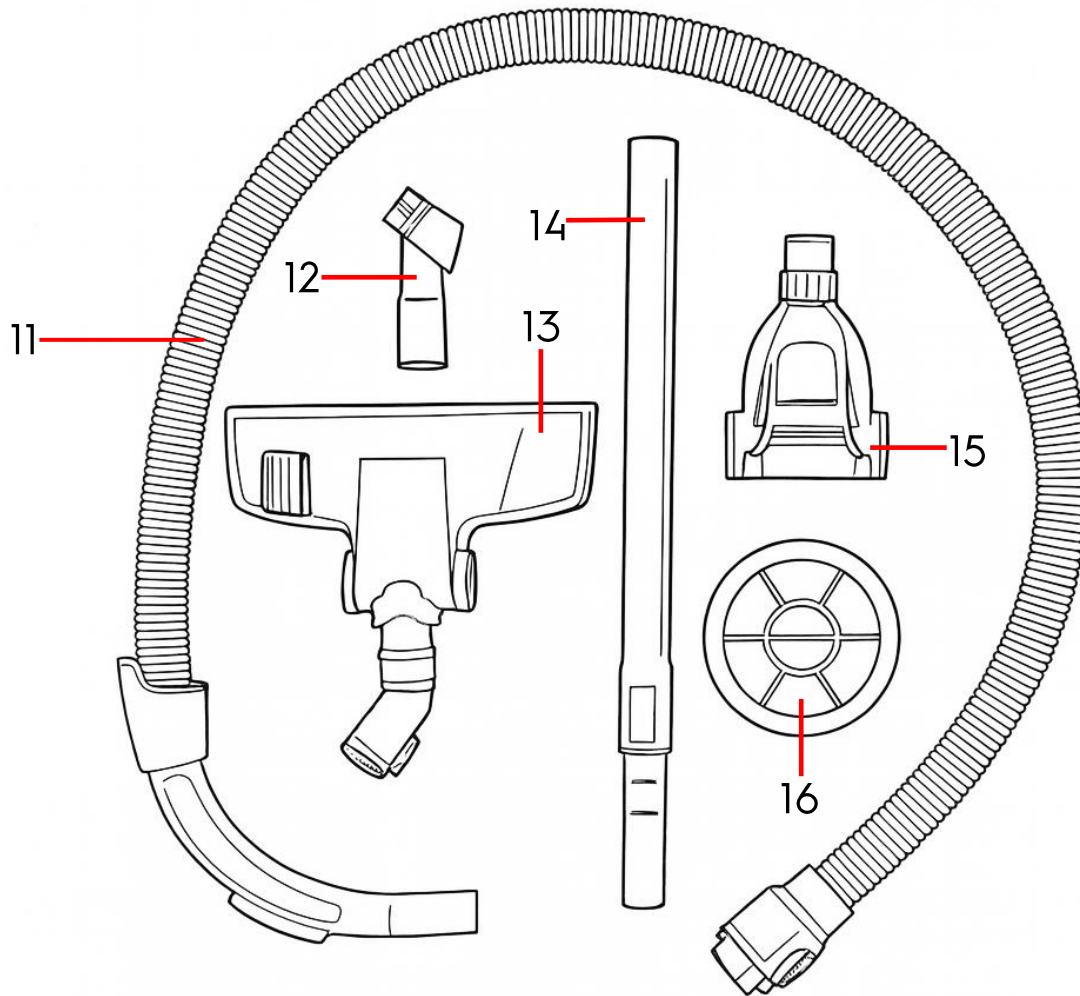
1. Carry Handle.
2. Cable Retract Button (under Handle).
3. Wheel (s).
4. Air Intake.
5. Dust Compartment.
6. Cyclonic Filter.

Description of Parts – Vacuum Rear



- 7. Dust Compartment Release Catch.
- 8. On/Off Button/Suction Control.
- 9. Air Outlet Cover.
- 10. Mains Plug/Cable.

Description of Parts – The Accessories



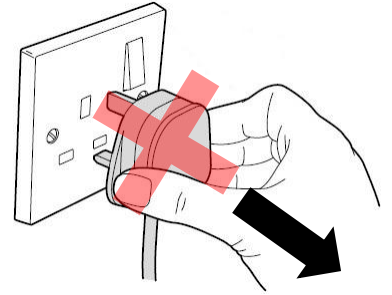
- 11. Flexible Hose.
- 12. 2 in 1 Crevice & Brush Tool.
- 13. Floor Tool.
- 14. Telescopic Tube.
- 15. Mini Turbo Brush
- 16. Hepa Filter

## Before First Use of Your Vacuum Cleaner

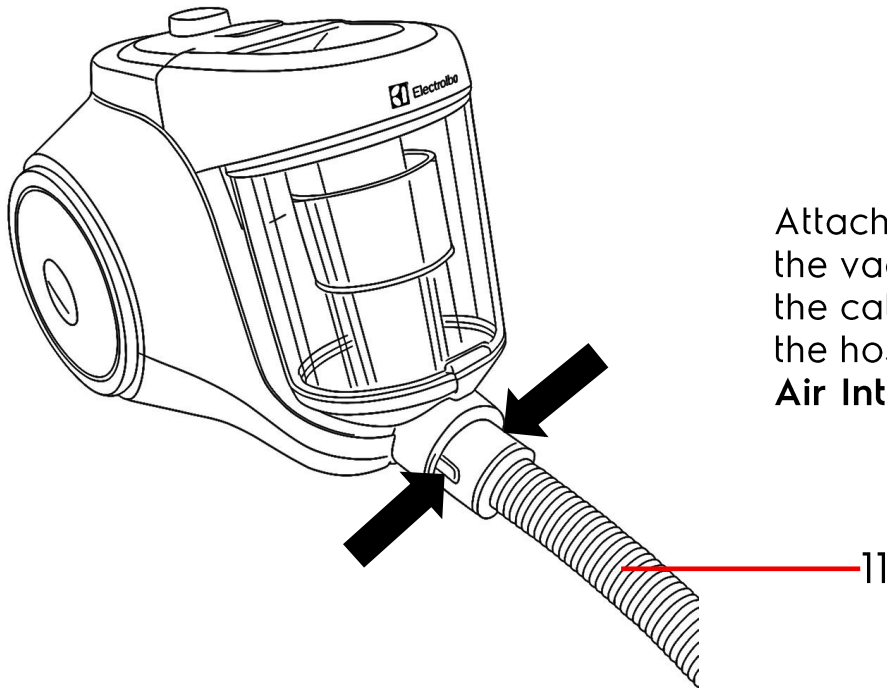
- Before use, retain all packaging until all the parts are present against the parts list – see **Description of Parts** above.
- Take care whilst opening the carton as a sharp blade may damage the product.
- After which discard packaging responsibly.

## Assembling Your Vacuum Cleaner

**⚠ WARNING** Ensure that the vacuum cleaner is not connected to the mains supply before connecting the attachments.



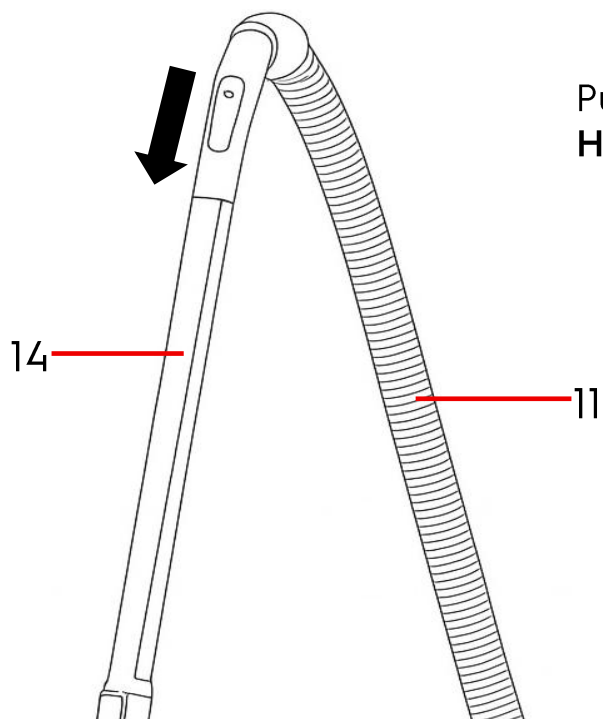
### Attaching the Flexible Hose to the Vacuum



Attach the **Flexible Hose (11)** to the vacuum cleaner by pushing the catches in on either side of the hose and pushing it into the **Air Intake (4)**

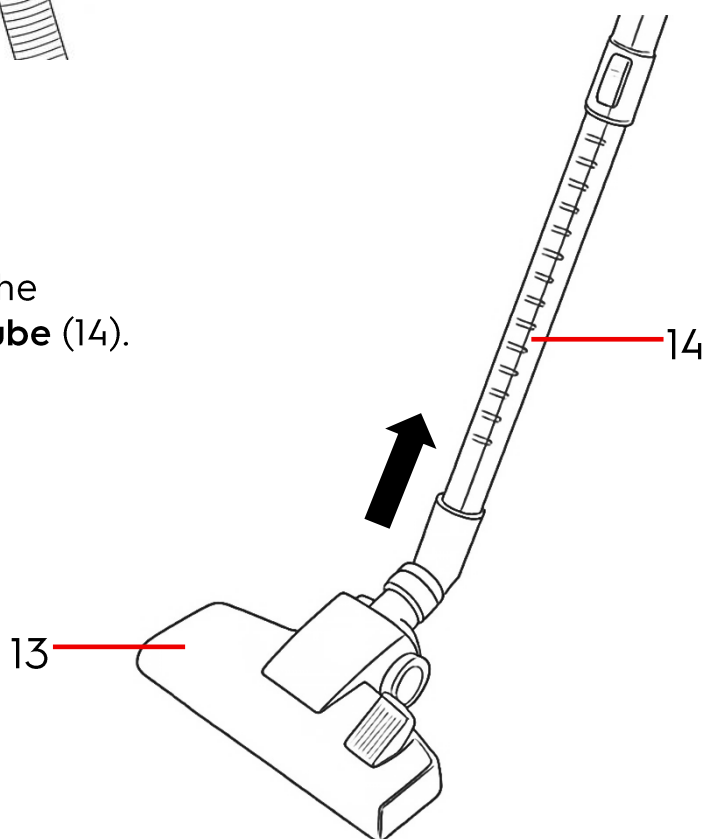
## Assembling Your Vacuum Cleaner

### Attaching the Flexible Hose to the Telescopic Tube



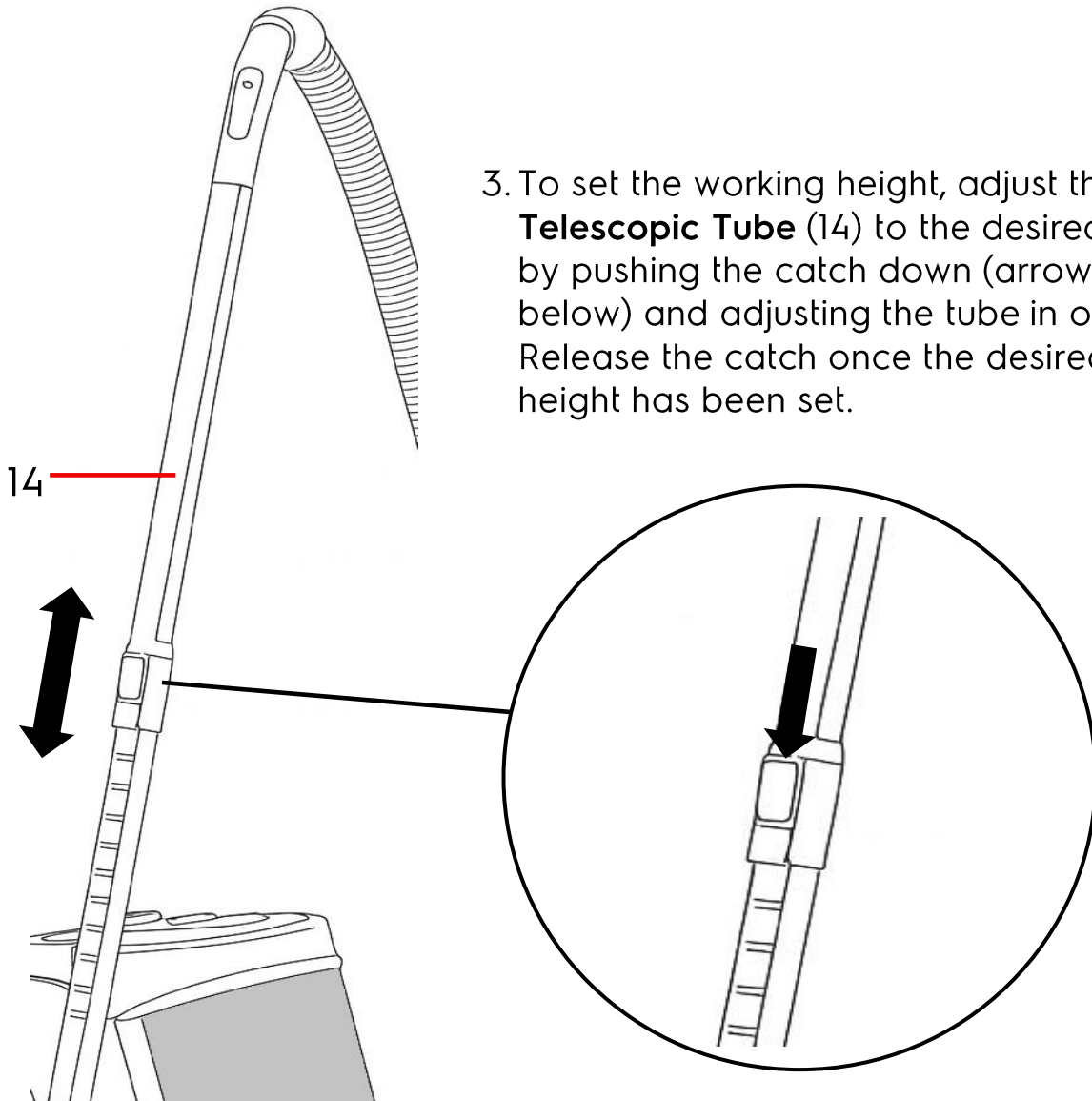
Push the other end of the **Flexible Hose** (11) into the **Telescopic Tube** (14).

2. Push the **Floor Tool** (13) onto the other end of the **Telescopic Tube** (14).



## Assembling Your Vacuum Cleaner

### Setting the Working Height

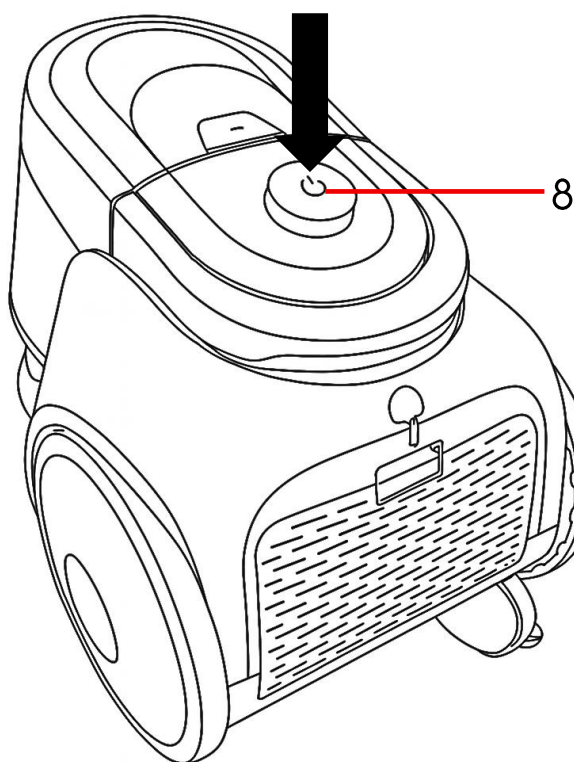
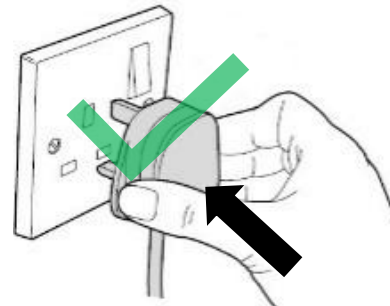


3. To set the working height, adjust the **Telescopic Tube** (14) to the desired length by pushing the catch down (arrowed below) and adjusting the tube in or out. Release the catch once the desired working height has been set.

## Using Your Vacuum Cleaner

1. Pull the Mains Cable (10) out of the vacuum cleaner until the yellow mark on the cable shows - **DO NOT** pull the cable past the red mark.
2. **DO NOT** use the vacuum cleaner with the mains cable partially unwound - always pull cable fully out to the yellow mark.

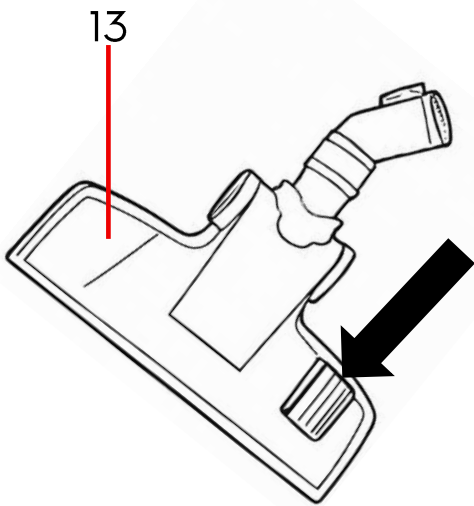
3. Insert the **Mains Plug** (10) into the nearest socket.



4. Press the **On/Off Button/Suction Control** (8) to power up the vacuum.

## Using Your Vacuum Cleaner

Adjust the **Floor Tool** (13) according to the type of floor being cleaned. Push the lever on the tool down for use on hard floors (i.e. non carpeted), pull the lever up for vacuum cleaning carpets:

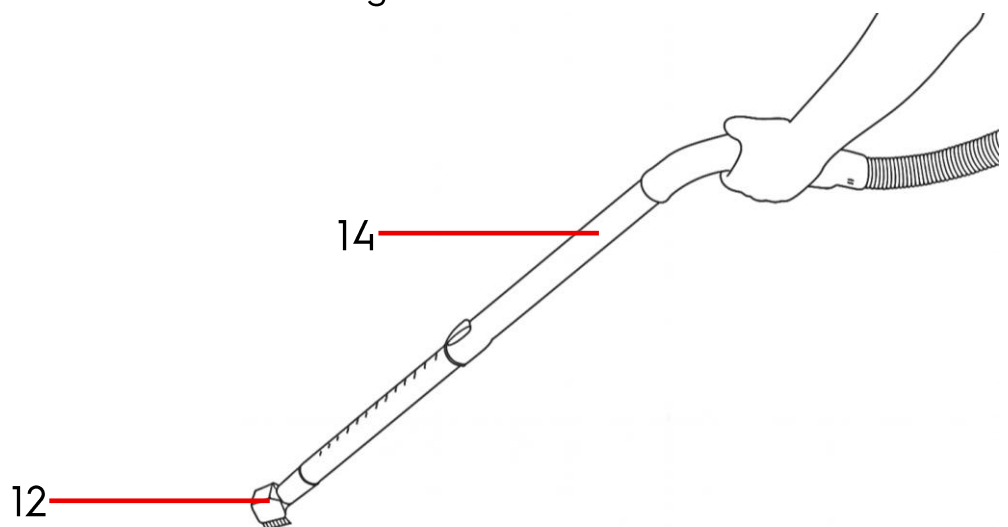


Left: Adjust the lever on the **Floor Tool** (13) for carpeted or hard floors:

Up for carpets  
Down for hard floors

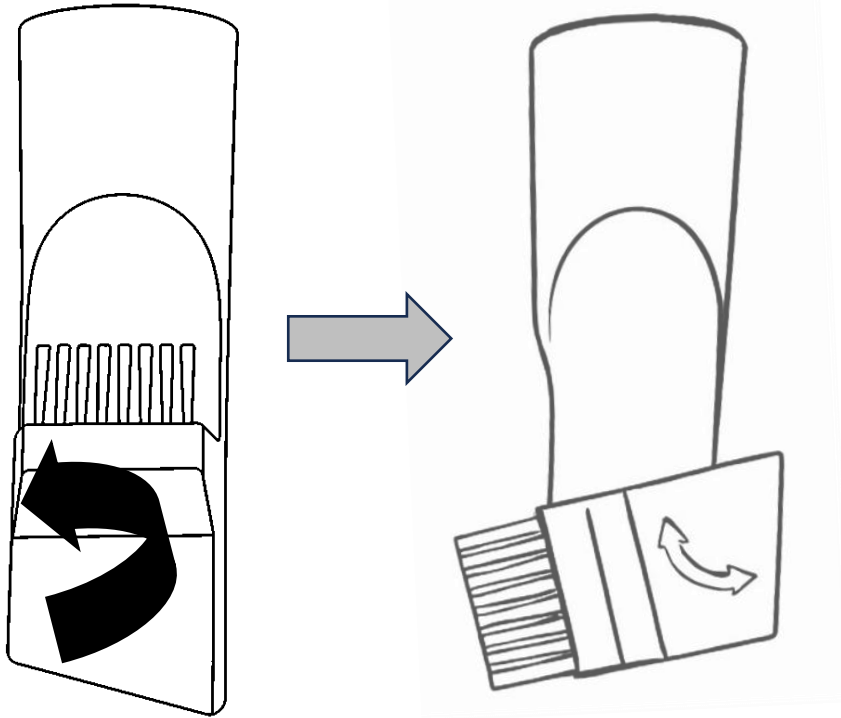
Using the 2 in 1 Crevice & Brush Tool (12)

Attach the **2 in 1 Crevice & Brush Tool** (12) onto the **Telescopic Tube** (14) to clean carpet edges, upholstered furniture and hard to get to areas:

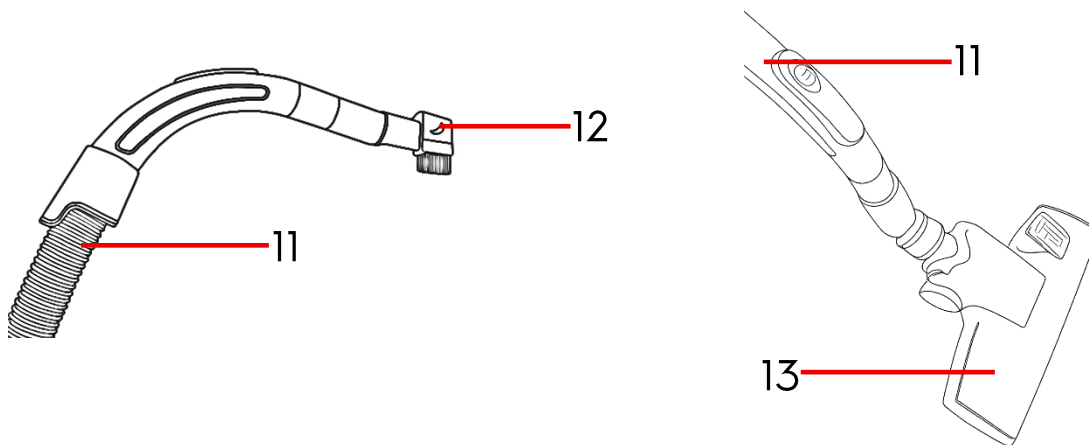


## Using Your Vacuum Cleaner

If desired rotate the brush on the **2 in 1 Crevice & Brush Tool (12)** downwards as below:



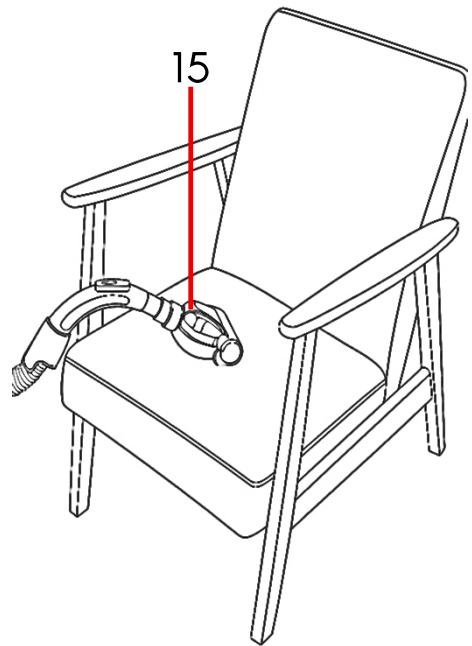
If the **Telescopic Tube (14)** is not required, attach the **2 in 1 Crevice & Brush Tool (12)** or the **Floor Tool (13)** directly the **Flexible Hose (11)**



## Using Your Vacuum Cleaner

### Using the Mini Turbo Brush (15)

Use the **Mini Turbo Brush (15)** to remove pet hairs and difficult to remove marks from upholstery and stairs. This should be fitted directly onto the hose as shown.

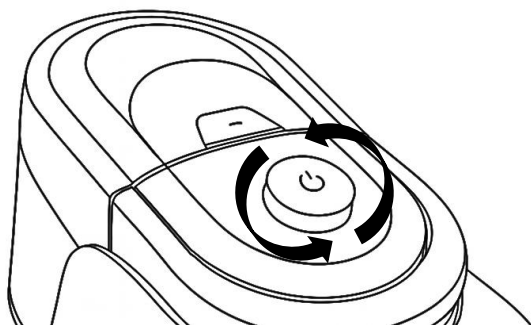
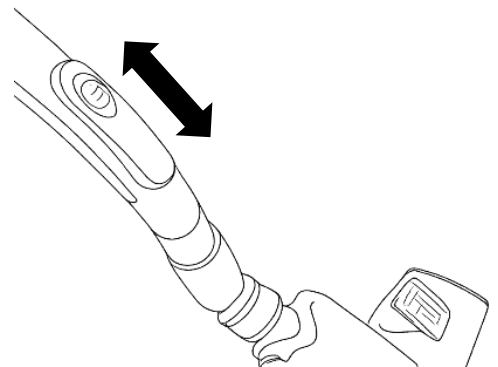


**NB** The **Mini Turbo Brush (15)** is driven by the suction from the vacuum cleaner acting on the Air Turbo inside the brush and does not require any external power.

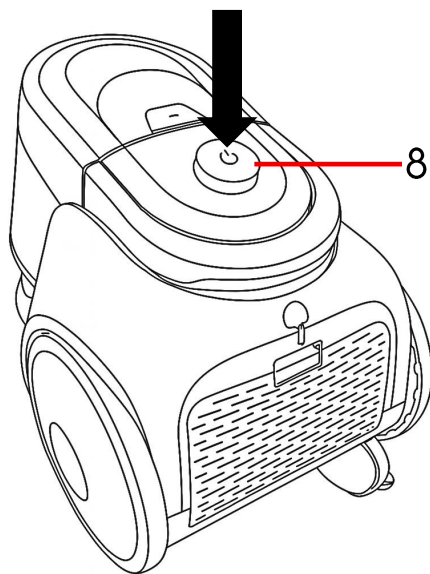
### Varying the Suction Level

The suction level can be regulated by sliding the valve on the **Flexible Hose (11)** up and down.

Alternatively, rotate the **On/off Button/Suction Control (8)** control clockwise to increase suction and anticlockwise to reduce suction.

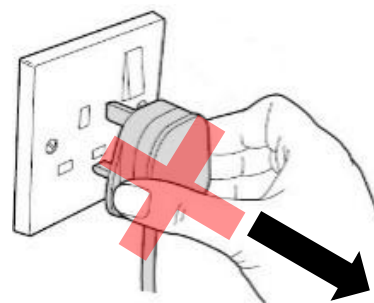


## After Using Your Vacuum Cleaner

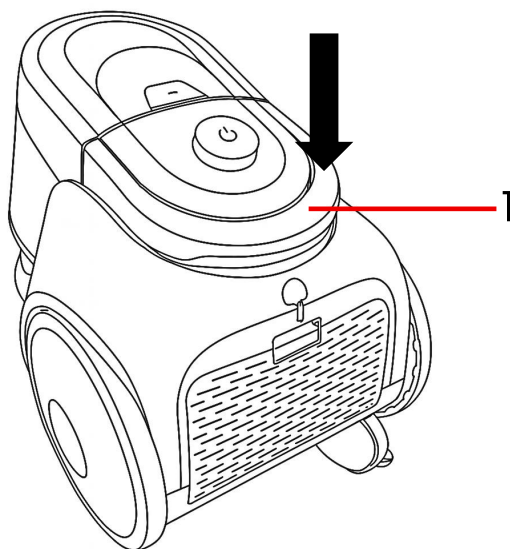


1. After use, press the **On/off Button/Suction Control (8)** to switch the vacuum off.

2. Remove the mains plug out of the socket.



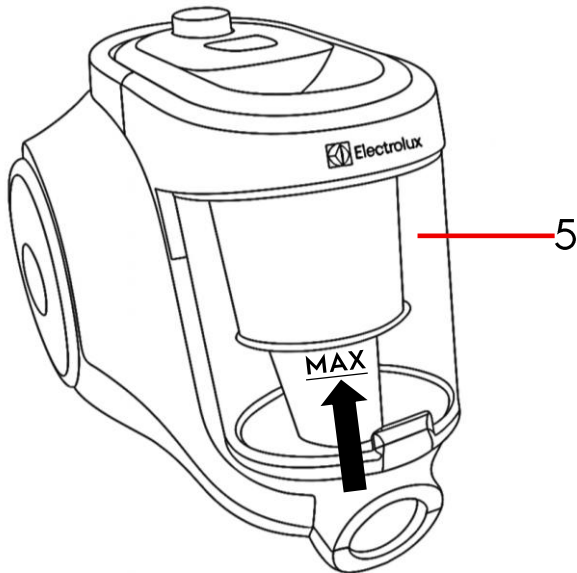
3. Press the **Carry Handle (1)** down to wind the cable back into the vacuum.



**⚠ WARNING** Be aware that the cable will retract quickly back into the vacuum and care must be taken to keep clear of the mains cable and plug as it retracts.

## Emptying Your Vacuum Cleaner

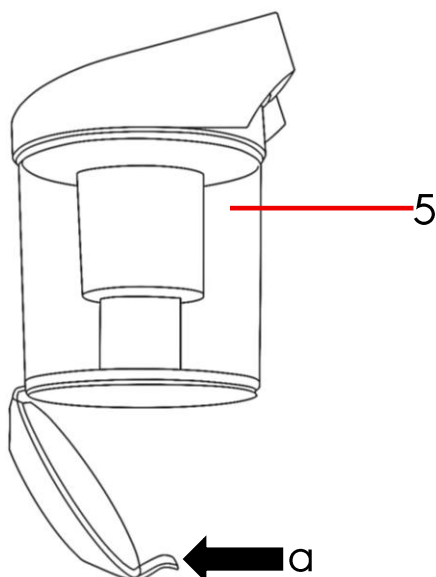
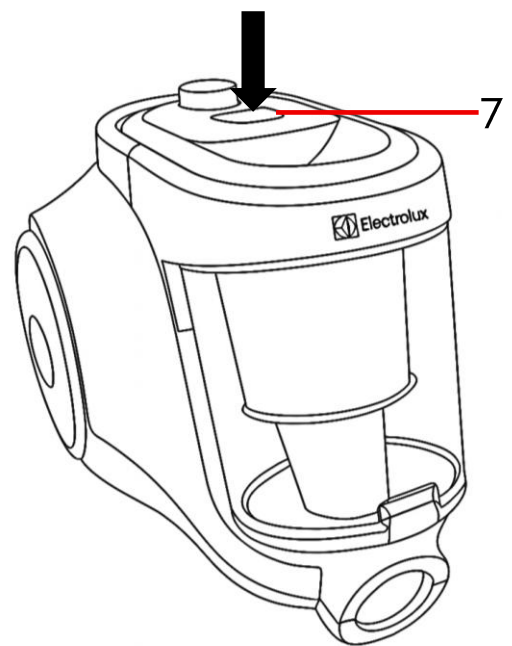
**⚠ WARNING!** Always disconnect the cleaner from the mains power supply before cleaning.



1. Once the dust level reaches the 'MAX' mark (arrowed left) on the **Dust Compartment (5)** it will require emptying.

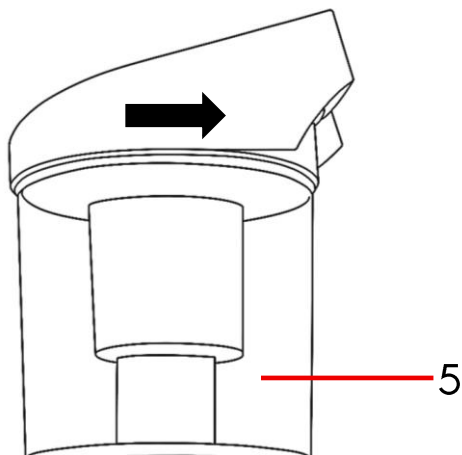
**⚠ WARNING!** Do not continue to use your vacuum cleaner once the 'MAX' mark has been reached as permanent damage may occur to the appliance.

2. To empty the cleaner, first remove the **Dust Compartment (5)** from the vacuum as follows:
3. Press the **Dust Compartment Release Catch (7)** and remove the compartment from the vacuum.

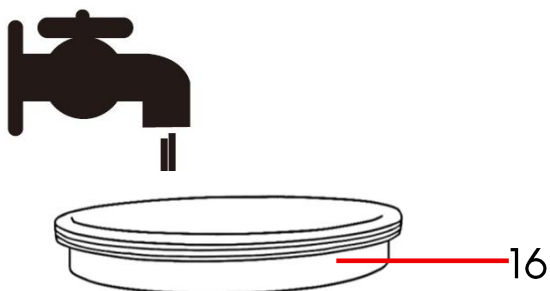


Hold the **Dust Compartment (5)** over a dust bin and pull the **Dust Release Catch (a)** outwards and the base of the dust compartment will swing open and allow the dust to fall out into the bin.

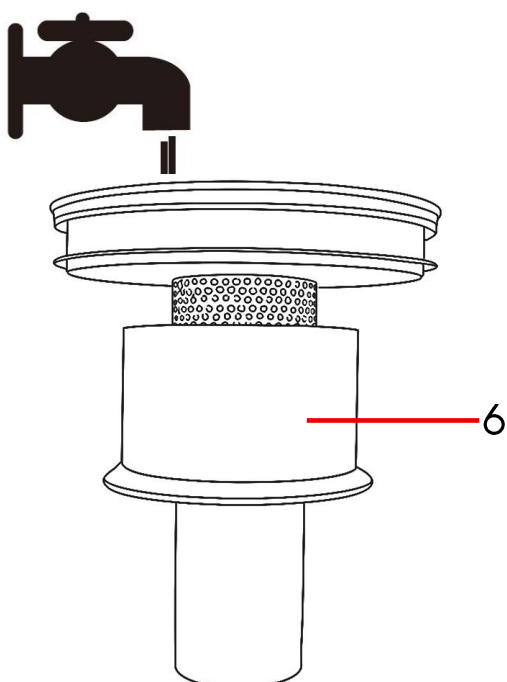
## Cleaning the Cyclonic Filter (6)



Twist the top of the **Dust Compartment (5)** in the direction of the arrow and lift the top off the Compartment. Lift out the **Hepa Filter (16)** and the **Cyclonic Filter (6)**.

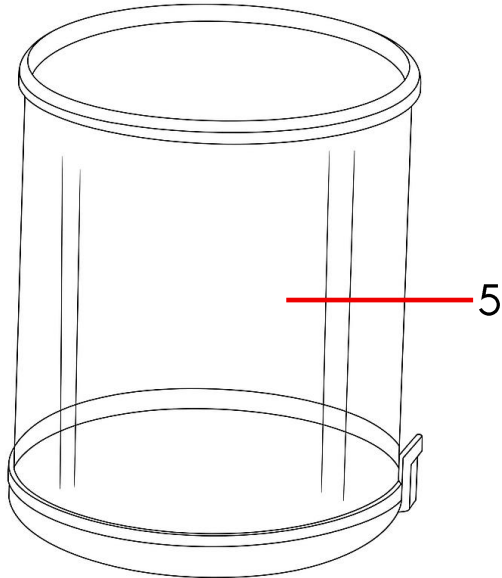
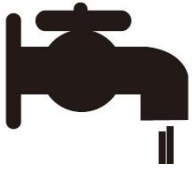


Wash the **Hepa Filter (16)** in warm running water until clean. Allow the filter to dry thoroughly for at least 24 hours before reuse.



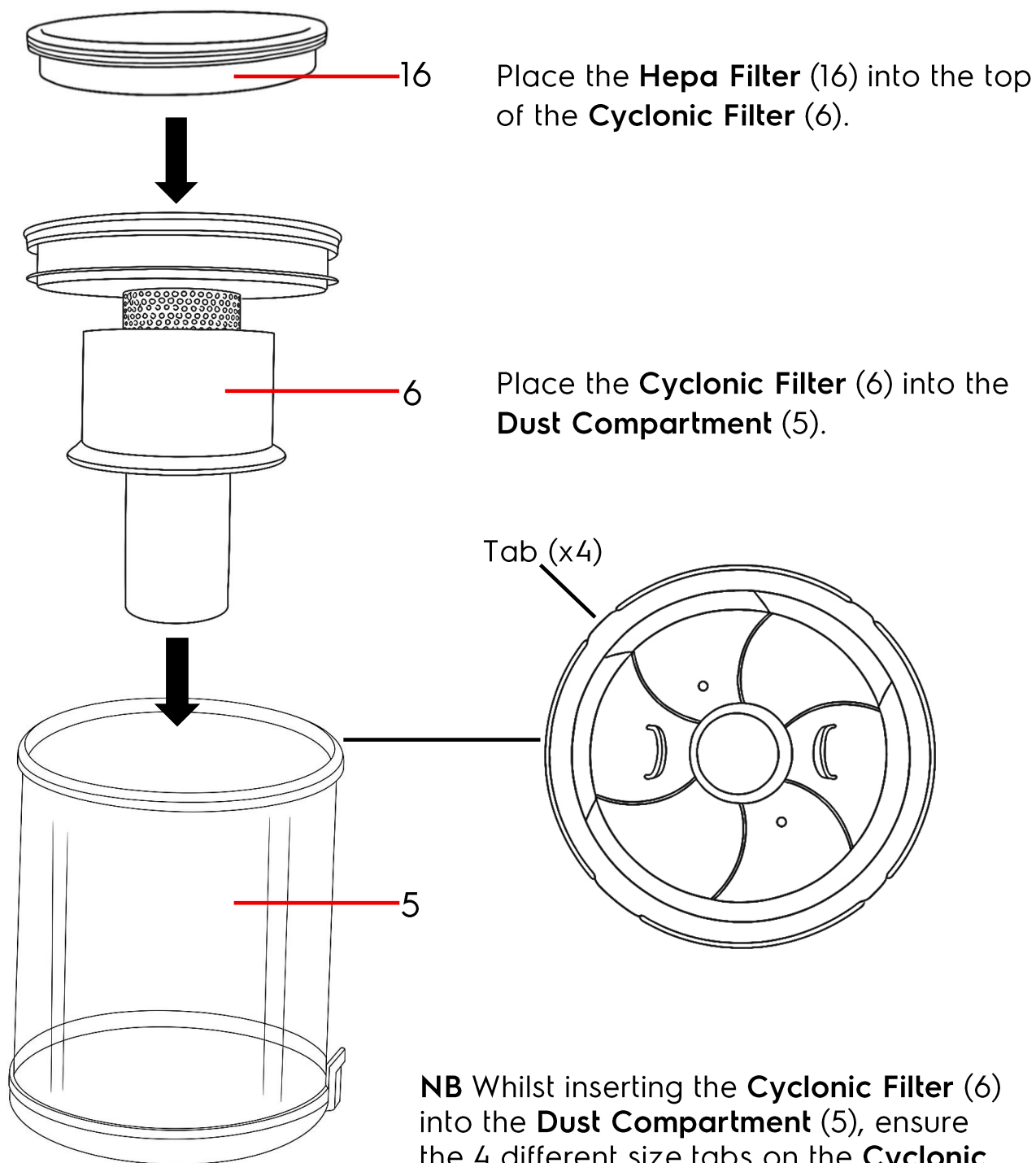
Shake the excess dirt from the **Cyclonic Filter (6)** and wash in warm running water until clean. Allow the filter to dry thoroughly for at least 24 hours before reuse.

## Cleaning the Cyclonic Filter (6)



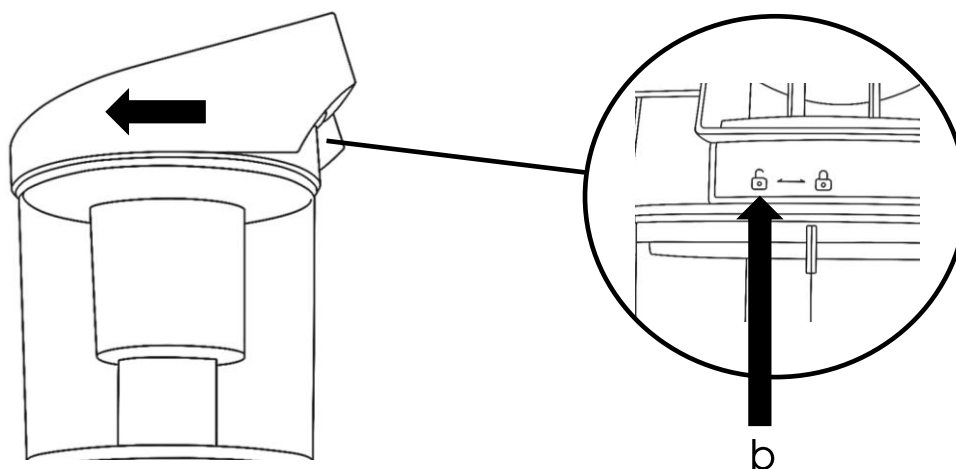
Shake the excess dirt from the **Dust Compartment (5)** after each use. Rinse in warm running water until clean once a month. Allow to dry thoroughly for at least 24 hours before reuse.

## Reassembling the Cyclonic Filter



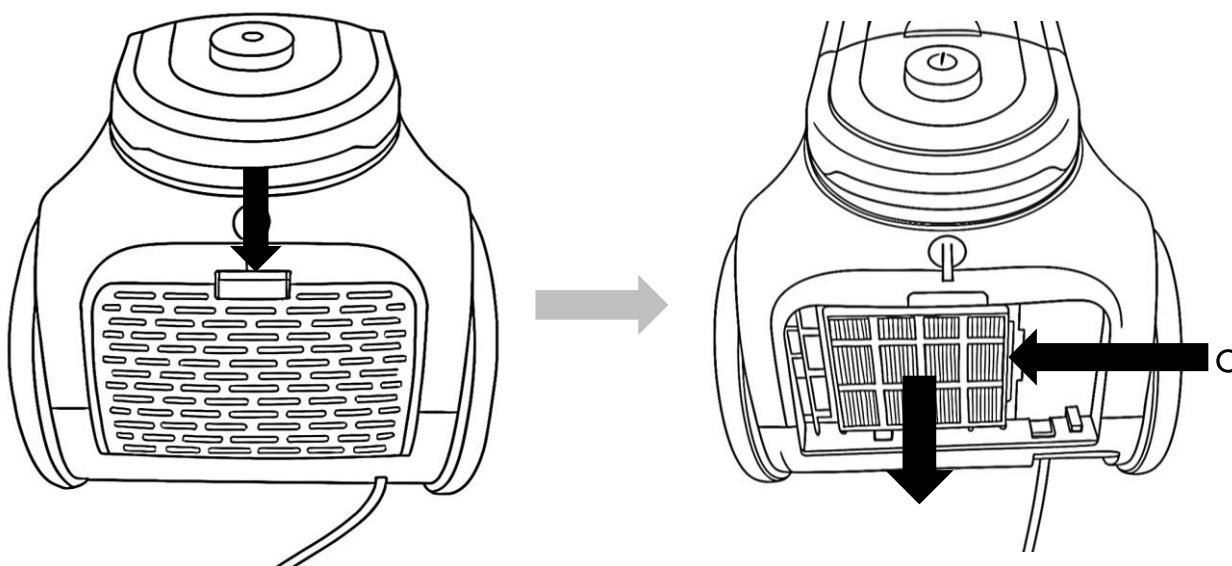
**NB** Whilst inserting the **Cyclonic Filter** (6) into the **Dust Compartment** (5), ensure the 4 different size tabs on the **Cyclonic Filter** (6) align with the correct size recess in the top edge of the **Dust Compartment** (5) before pushing the filter in.

## Reassembling the Cyclonic Filter (6)



Place the top of the onto the **Dust Compartment (5)** and align the mark on the **Dust Compartment (5)** with the unlocked symbol (b) arrowed above. Rotate the top in the direction of the arrow left until it locks into place.

## Removing & Cleaning the Outlet Filter



Remove the **Air Outlet Cover (9)** then remove the rear **Outlet Hepa Filter (c)** as above.  
Wash the Hepa filter clean and allow to dry thoroughly for 24 hours before reuse.

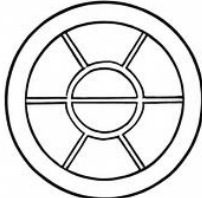
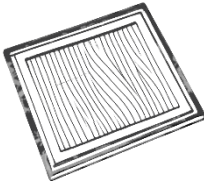
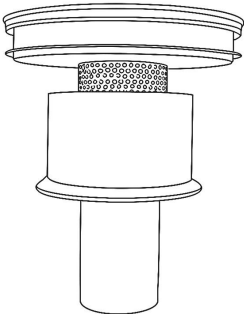
## Care and Maintenance of Your Vacuum Cleaner

**⚠ WARNING!** Always disconnect the cleaner from the mains power supply before cleaning.

- Clean outside of the cleaner with a clean damp cloth. Never clean with harsh or abrasive cleaners.
- Do not submerge the cleaner in water or any other liquids.
- Empty the **Dust Compartment** (5) as soon as it has reached maximum capacity\*
- Wash all the Filters regularly - see table below.
- Allow all the filters to thoroughly dry out for 24 hours before reassembly and reuse.

**⚠ WARNING!** \***DO NOT** continue to use your vacuum cleaner once the 'MAX' mark has been reached as permanent damage may occur to the appliance which could invalidate your warranty.

### Recommended Filter Cleaning Intervals

Filter Type	Recommended cleaning period
Round Hepa Filter 	<ul style="list-style-type: none"> <li>• Shake out debris when you empty the dust container</li> <li>• Rinse under warm water once a month</li> <li>• Allow to dry thoroughly for 24 hours before reuse.</li> </ul>
Outlet Hepa Filter 	<ul style="list-style-type: none"> <li>• Shake out debris once a month</li> <li>• Rinse under warm water once every 3-6 months</li> <li>• Allow to dry thoroughly for 24 hours before reuse.</li> </ul>
Cyclonic Filter 	<ul style="list-style-type: none"> <li>• Shake out debris once a month</li> <li>• Rinse under warm water once a month - carefully avoid getting the lid part wet.</li> <li>• Wash the mesh around the Cyclonic Filter once a month.</li> <li>• Allow to dry thoroughly for 24 hours before reuse.</li> </ul>

## Recommended Filter Cleaning Intervals

**⚠ WARNING!** Ensure the filters are cleaned periodically according to the table above, failure to clean the filters regularly will severely impair the performance and permanent damage may occur to the appliance and may invalidate your warranty.

## Technical Specification

Model Number	FLR00223
Supply Voltage	AC 220-240V ~ 50/60Hz
Rated Power	800W (max)
Protection Class	II
Unpacked Weight (approx.)	4.2 Kgs
Dimensions (approx.)	395mm (l) x 260mm (w) x 300mm (h)
Vacuum	>17KPA
Max Air Flow	24L/s
Air Watts	≥160AW
Dust Capacity	2.5L
ErP: Power consumption of equipment in standby mode shall not exceed 0.50W	0.0W
This equipment complies with Annex III of Commission Regulation (EU) 2023/826	

## Mains Plug Wiring Information

If your appliance is supplied with a non-rewireable plug fitted to the mains lead and should the fuse needed replacing, you must use an ASTA approved one (conforming to BS 1362 of the same rating). Never use a plug with the fuse cover missing. If in doubt, consult a qualified electrician.

If you need to remove the plug **-DISCONNECT FROM THE MAINS-** and then cut it off the mains lead and immediately dispose of it safely. Never attempt to reuse the plug or insert it into a socket outlet as there is a danger of electric shock.

## Troubleshooting Guide

Problem	Possible Cause	Solution
Unit fails to turn on.	The unit may not be properly plugged in. The fuse may have tripped.	Ensure the plug is fully inserted into the socket and the socket is switched on. Check the fuse on the mains board, if it has tripped, reset it.
Low suction or poor pick-up.	Cylinder is full. Filters are clogged. Blockage in the hose.	Empty the cylinder. Check and clean the filters. Check the hose and clear if necessary.
The vacuum is making a "hissing" sound.	The airflow is restricted	Empty the cylinder. Check and clean the filters. Check the hose and clear any blockages if necessary.

## Recycling Information

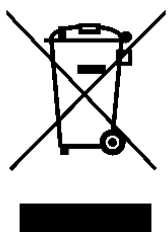
### Disposal of the Packaging

Dispose of paper and cardboard in appropriate paper re-cycling facilities.

Dispose of recyclable plastics in appropriate plastic re-cycling facilities.

Dispose of non-recyclable plastics in the appropriate plastics collection service.

### Disposal of the Product



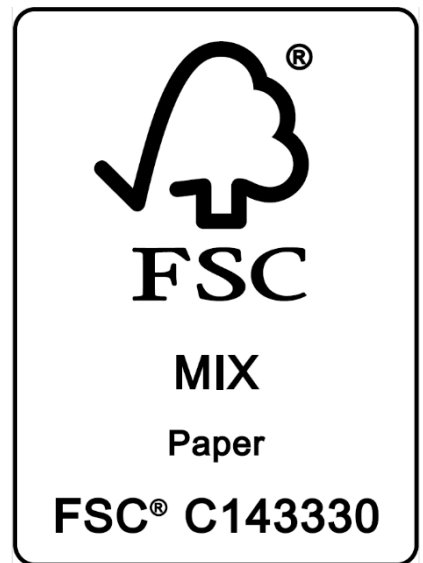
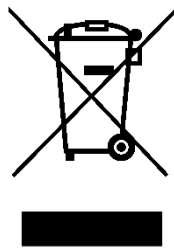
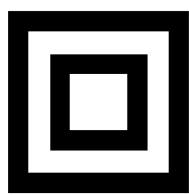
You should now recycle your waste electrical goods and in doing so help the environment. This symbol means waste electrical products at the end of their useful life should not be disposed of with normal household waste and not sent to landfill. Please ensure it is taken to a suitable facility for disposal. Check with your Local Authority or retailer for recycling advice or visit [www.recycle-more.co.uk](http://www.recycle-more.co.uk) or [www.weeeireland.ie](http://www.weeeireland.ie) enter your postcode to find out your nearest recycling site.

Should you require any product information, replacement parts or accessories, please contact our customer care team on 0161 831 7879 (8.30am-4.30pm Monday to Thursday, 8.00am-4.00pm Friday) and select option 3 or by contacting us via email:

[help@electroluxsmalldomesticappliance.co.uk](mailto:help@electroluxsmalldomesticappliance.co.uk)

- Replacement parts and accessories are guaranteed for 1 year from the date of purchase.
- It is important to note that your warranty becomes invalid should non Electrolux parts or accessories be used with this appliance.

**UK  
CA**







# Electrolux

## WARRANTY

**Thank you for purchasing your Electrolux Product.**

**As part of our commitment to quality, we are offering you an extra 4 years warranty in addition to your 1 year guarantee**

Your Electrolux product is guaranteed for 1 year from the date of original purchase, with proof of purchase or receipt. If any defect should occur due to faulty workmanship or material, your faulty vacuum should be returned to the place of purchase, replacement or refund is at the discretion of the retailer.

The guarantee is subject to the following provisions:

- The product must be correctly installed and operated in accordance with the requirements contained in the instruction manual.
- The product must be used solely for domestic purposes.
- It does not cover general wear and tear, damage, misuse or any consumable parts.
- The guarantee will be rendered invalid if the product is re-sold or has been damaged through inexperienced repair.
- The guarantee is only valid within the UK and Eire.

Your standard 1 year guarantee will only be extended to the maximum available for your individual product upon registration. (Note: products must be registered individually and covers the main body and housing). If you do not register your product within 28 days of the original purchase date, your product will only be guaranteed for 1 year.

**To validate your extended 4 year warranty\*please register your purchase online within 28 days of the original purchase date by registering at:**

[help@electroluxsmalldomesticappliance.co.uk](mailto:help@electroluxsmalldomesticappliance.co.uk)

or

**Contact Us:** [www.electroluxsmalldomesticappliance.co.uk](http://www.electroluxsmalldomesticappliance.co.uk)

\*Your extended warranty is only valid with proof of purchase receipt and subject to the conditions outlined above.

Produced and imported under licence by  
Eurosonic Group Limited  
Brightgate House  
1 Brightgate Way  
Manchester M32 0TB UK

EU Rep: EuroSonic Magppie (ESM) Ltd. Ireland D05 X006  
[www.esgltd.com](http://www.esgltd.com)

ELECTROLUX is a pending or registered trademark used under license from AB Electrolux (publ)