

**DMD**  
COLLECTIVE

DMDTD1

---

# Mini Tumble Dryer

---

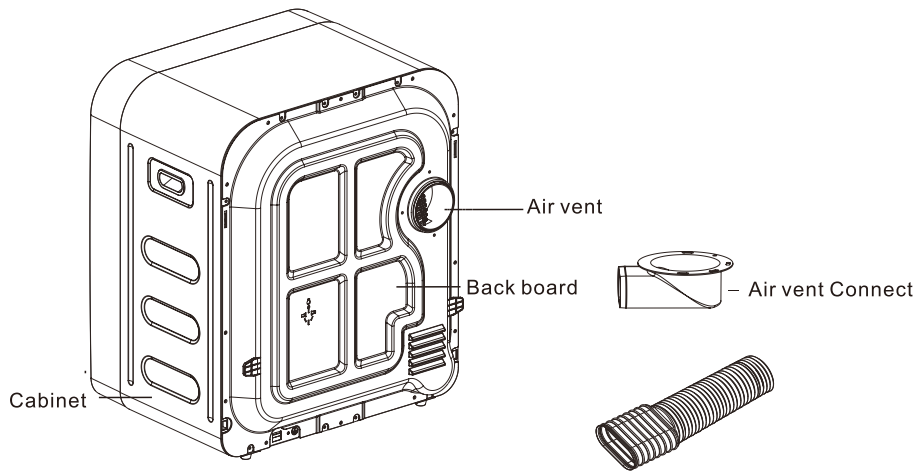
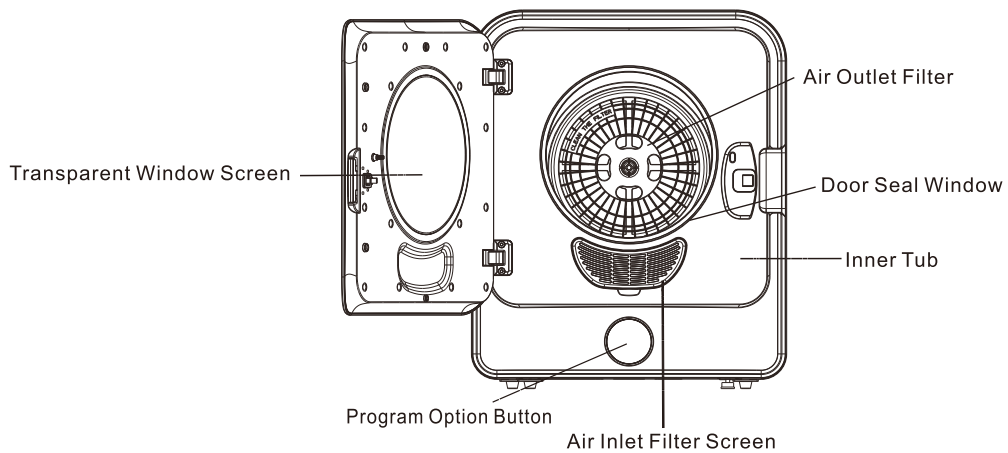
Information for use

## Intention For Use

Thank you for purchasing this Mini Tumble Dryer from DMD Collective. This Mini Tumble Dryer is the compact solution to efficient laundry drying at your fingertips. With a 3kg capacity, this mini dryer is designed to handle your laundry needs effectively while saving space in your home.

This Mini Tumble Dryer offers customisable drying cycles for the best results. Heavy fabrics, such as towels or jeans, dry completely in 120–180 minutes. Normal fabrics can be perfectly dried in 60–120 minutes, while the Anti-Wrinkle function ensures your garments remain smooth and ready to wear with a dedicated 30- to 60-minute cycle. Improve the efficiency of drying clothes and ensure that your clothes are as soft and gentle as new.

## Product Elements



## **Electrical Appliance Safety**

- Please use 220V AC power supply with a current of 10A; the earthing end of the socket must be reliable grounded; and it's better to use a leakage protector.
- Please keep inflammable and volatile substances (such as gasoline and alcohol) away from the running clothes dryer to avoid fire.
- Do not install the dryer in wet places to avoid electric shock, leakage, or other accidents.
- It should be easy to plug and unplug when the dryer is in normal use; the plug must be pulled out during a power cut.
- If the supply cord is damaged, it must be replaced by the manufacturer, service agent, or qualified person in order to avoid a hazard.
- Do not place the dryer on any flammable surface/materials when in use.
- Use soft, wet towel wipe the dirty inner drum or outside of the dryer; do not rinse it directly with water or wipe it with volatile oil (such as alcohol, gasoline, etc)
- The machine must be well ventilated to prevent the flowing air from entering the space to ignite other substances, including open fires.

## **Guidelines for use**

- Wash and spin clothes before putting them in the dryer. (In order to avoid water leakage and increased drying time, do not put the clothes wrung out by hand into the dryer.)
- Please check and take out inflammables, coins, hairclips, paper clip keys, and other sharp metal objects from any garment pockets before drying.
- Fasten the zipper and button, and turn the clothes inside out to dry. This will reduce the sound of a collision with the drum.
- Clothes with the label "clothes that cannot be washed with water" or "dry-cleaned" cannot be used in the clothes dryer.
- Wool fabric and leather material should not be used in the clothes dryer. Wool and leather will get damaged; the wool fabric will shrink and reform.
- After each use, it is essential to clean the thread crumbs on the air inlet filter screen and air outlet filter cotton.
- It's better to dry the same or similar fabrics at the same time. Do not dry clothes that have the following requirements: do not tumble dry, hang dry, drip dry, or spread dry.
- During the normal operation of the dryer, the surface of the dryer is not allowed to be covered with any textiles. During the operation of the dryer, the surface temperature of the dryer will be slightly higher than that of the human body, which is normal.

## **Health and Safety Guidelines**

- Always unplug the unit when not in use, before cleaning, or when adding or removing parts. Please read the instructions carefully before using any appliance.
- Always ensure that the voltage on the rating label corresponds to the mains voltage in your home.
- Incorrect operation and use can damage the appliance and cause injury to the user.
- The appliance is intended for household use only. Commercial use invalidates the warranty, and the supplier cannot be held responsible for injury or damage caused when using the appliance for any other purpose than that intended.
- Do not let children use this appliance unsupervised.
- Check the power cord and plug regularly for any damage. To prevent an electrical hazard, the manufacturer will need to replace the cord or plug if it is damaged.
- Do not use the appliance if it has been dropped or damaged in any way. If the unit is damaged, take it in for examination and/or repair by an authorized service agent.

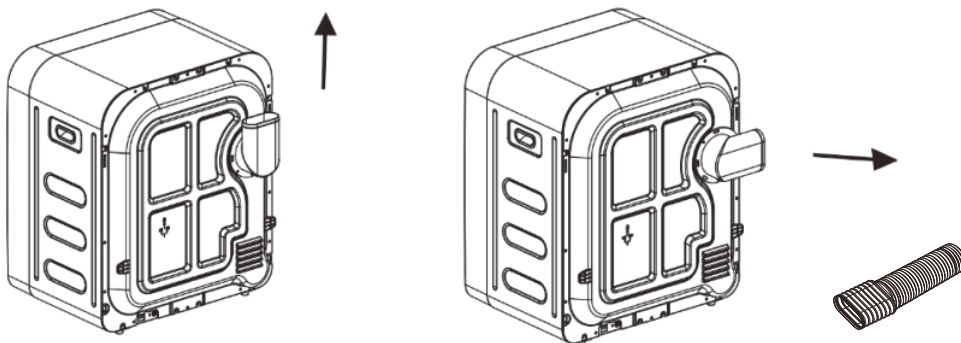
- To reduce the risk of electric shock, do not immerse or expose the motor assembly, plug, or power cord to water or any other liquid.
- Never immerse the unit in water or any other liquid for cleaning purposes. Do not reach for an appliance that has fallen into the water. Unplug immediately.
- Remove the plug from the socket by gripping the plug. Do not pull on the cord to disconnect the appliance from the mains.
- Injury, fire, or electric shock could result from the use of accessory attachments that the manufacturer has not approved or supplied.
- A short cord is provided to reduce the hazards resulting from becoming entangled in or tripping over a longer cord.
- Do not let the cord hang over the edge of a table or counter.
- Ensure that the cord is not in a position where it can be pulled inadvertently.
- Do not allow the cord to touch hot surfaces, and do not place it on or near a hot gas or electric burner or in a heated oven. Do not place the unit on a hot surface.
- This appliance is not suitable for outdoor use. Do not use this appliance for anything other than its intended purpose.
- Do NOT carry the unit by the power cord.
- Do not leave this appliance unattended during use. An appliance should never be left unattended when plugged in.
- The manufacturer does not accept responsibility for any damage or injury caused by improper or incorrect use or for repairs carried out by unauthorised personnel.
- In the event of technical problems, switch off the appliance and do not attempt to repair it yourself. Return the appliance to an authorised service facility for examination, adjustment, or repair.
- Always insist on the use of original spare parts. Failure to comply with the above-mentioned precautions and instructions will affect the safe operation of this machine.

## Installation

The clothes dryer should be installed on solid ground, on steady table or on a specialised bracket. It should be installed at least 10-15cm away from any walls particularly the back of the unit. Please use the dryer in a well ventilated room to help discharge any hot and humid air in a confined space. The length of any exhaust outlet pipe should not exceed 2 metres.

## Installation of Air Vent Connector & Exhaust Outlet

Fit the Air Vent Connector to the unit and adjust the direction of the air flow according to your needs. Then connect the Exhaust Outlet to the Air Vent Connector to help disipate any exhaust (hot/humid air) from the unit. Ideally this should be to the outside through a door or window, alternatively use the dryer in a large room were the exhaust can dissipate easily.



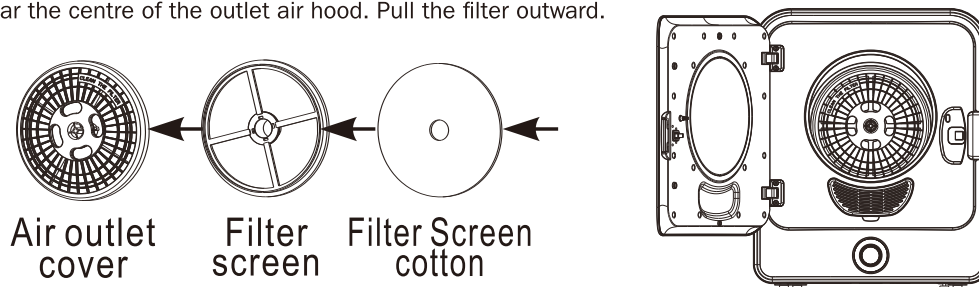
## Daily maintenance

In order to ensure the normal use of the dryer, please clean the outlet inlet filter screen timely and clean the body regularly. Please pull out the power plug before cleaning!

### Air outlet filter screen cleaning.

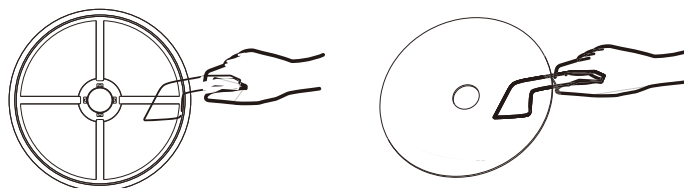
**Please clean the air outlet filter screen after each use.**

Remove the filter: put your hand into the inner drum of the machine and insert it into the four holes near the centre of the outlet air hood. Pull the filter outward.



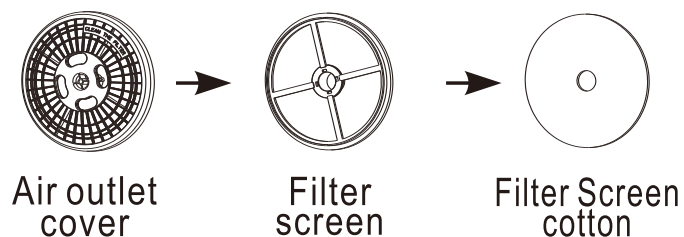
### Filter Cleaning

Remove the air outlet cover, filter screen, filter screen cotton and use a soft brush or vacuum cleaner to clean the any debris from the filter screen and the filter cotton. Be careful not to damage the filter cotton.



### Filter screen re-installation

Reassemble the filter in reverse order after cleaning, then replace the concave centre part of the filter screen into the convex centre part of the drum inside the dryer .



### Clean the air inlet filter screen once a month.

Push the outside middle end of the air inlet filter screen cover upwards, hold it and take it off. Use a soft brush or vacuum cleaner to clean the dust on it. Replace the filter in the machine after cleaning.

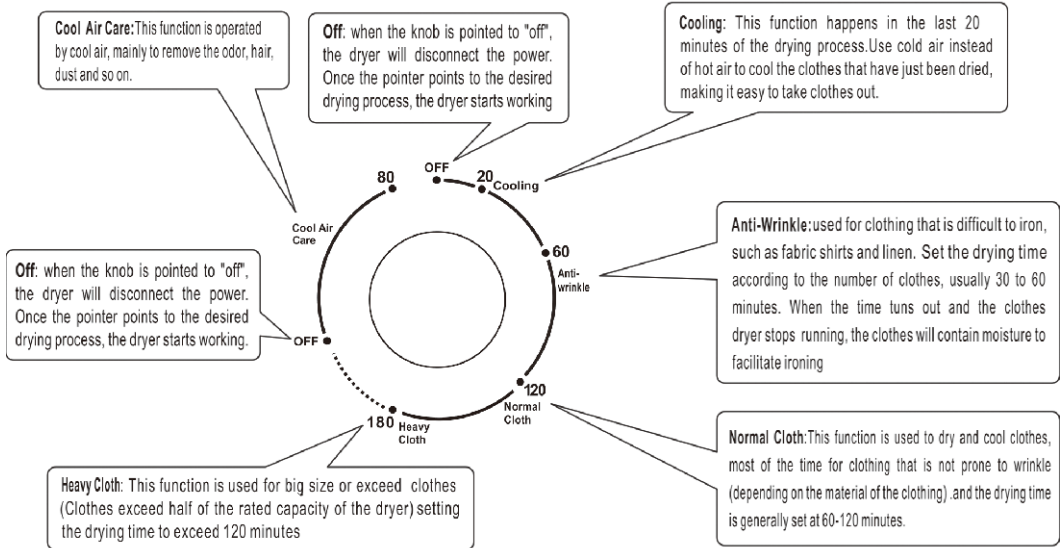
### Body cleaning.

Use a wet soft wipe to clean the inner drum and outside of the dryer; use kitchen detergent to wipe the stubborn stains; and then clean with a cloth.

**Note: Do not use diluent, gasoline, or alcohol to wipe the body or the dryer.**

## Control Panel Instructions

There are five Drying Program Selections: Cooling, Antiwrinkle, Normal, Heavy and Cool Air Care.



## Name and content of harmful substances in this product

Name of parts	Name of Hazardous Substance					
	Plumbum (Pb)	Mercury (Hg)	Cadmium (Cd)	Chromium VL (Cr (VL))	Poly Brominated Biphenyls (PBB)	Poly Brominated Dip Ether (PBDE)
Switch categories	○	○	×	○	○	○
Computer board categories	×	○	×	○	○	○
Motor	×	○	×	○	○	○
Capacitor	○	○	○	○	○	○
Heating element	×	○	×	○	○	○
Shell, Roller	○	○	○	○	○	○
Power cord, wiring harness	○	○	○	○	○	○
Package print	○	○	○	○	○	○
Else	○	○	○	○	○	○

This form is prepared according to the provisions of SJ/T11364

O: Denotes that the content of the hazardous substance in all homogeneous materials of the part is below the limit requirements specified in GB/T 26572

X: Denotes that the content of the hazardous substance in at least one mean material of the component exceeds the limit requirements stipulated by GB/T 26572

All parts marked with "X" in the table are in compliance with the EU RoHS Directive. Due to the limitation of global technological development level, the replacement of hazardous substances cannot be realized.

The "Eco Use Period" of the product is 15yrs, which is specified by the company according to the design characteristics of the product. The "Eco Use Period" is valid only when the product is used under normal conditions as described in the product instruction manual.

## Maintenance Solutions

If the dryer breaks down, please disconnect the power and check it. Please contact a professional and do not attempt to repair it yourself.

<b>Problem</b>	<b>Reason</b>	<b>How to fix</b>
The dryer doesn't start	Whether the power is off or tripped. Drying clothes are overloaded. The temperature controller is disconnected.	Check the power connection to make sure the fastening is in place. The contents must be spun-washed, and the drying weight (the weight of wet clothes) should not exceed 5kg.
The outside of the dryer is hot or you can smell burning.	The debris filter screen is blocked by the fur crumbs. Air outlet vents or drains are blocked.	The debris filter should be cleaned before and after use. Clear the blockage.
Clothes aren't drying.	The dryer is too full. The filter is blocked, affecting the incoming and outgoing wind. The clothes are too twisted/tied up to dry. The machine is installed in a narrow unventilated position.	Dry the clothes several times. Clean the air filters inside and out regularly. Shake the clothes out and dry them again. Rearrange the position of the machine.
Clothes get creased.	The dryer is too full. You didn't take the clothes out in time after the timer had finished. Clothing is not properly satisfied. The temperature is set too high.	Don't overfill your clothes. Take your clothes out immediately after the cycle has finished. Dry the clothes after sorting. Follow the maintenance instructions on the clothing label.
Clothes shrink.	Too dry.	Follow the maintenance label instructions on the clothes. If the clothes shrink easily, always check your clothes before you dry them. Take it out when it's damp to avoid overdrying, and lay it flat to dry completely.
The dryer doesn't start after running for a long time.	After the dryer has been running for a long-time, the temperature overheat protection starts.	Leave the Dryer off for about 30 minutes, it will automatically return to normal.

## Technical Specifications


<b>Product name</b>	Mini Tumble Dryer
<b>Supplier code</b>	DMDTD1
<b>Voltage</b>	220-240V AC 50Hz
<b>Power</b>	830W
<b>Max Load Weight</b>	3kg
<b>Product Weight</b>	15.5kg
<b>IP Rating</b>	IPX4

## Technical Support

If you require any technical support for your product within the warranty period, please contact us on [support@dmdcollective.co.uk](mailto:support@dmdcollective.co.uk) and provide the product name and supplier code (see Technical Specifications) along with the technical query and proof of purchase.

## WEEE



The WEEE symbol  on this product means that this unit should be ethically dismantled or recycled to minimise environmental impact. Please check with your local authority for more information.

## IMPORTANT: ADDITIONAL SAFETY INFORMATION

This device is **NOT** intended for use by persons (including children) with reduced physical, sensory or mental capabilities, or lack of experience and knowledge, unless they are supervised or have been given instruction concerning use of the device by a person responsible for their safety.



**The Ace Supply Co Ltd;** Suite GA, Marsland House  
Marsland Road, Sale M33 3AQ

### For Product Support:

**E:** [support@dmdcollective.co.uk](mailto:support@dmdcollective.co.uk)

**T:** +44 (0)161 447 8597

**EU Regd. Address:** Ace Supply Co (Europe) Ltd. 25 Herbert Place,  
Dublin 2, D02 A098 Republic of Ireland

[www.dmdcollective.co.uk](http://www.dmdcollective.co.uk)