
Cordless Multi Cyclone Smart Vacuum Cleaner

Information for use

Thank you for purchasing this Cordless Multi Cyclone Smart Vacuum Cleaner from DMD Collective. It provides a simple and efficient way to deal with dust and debris.

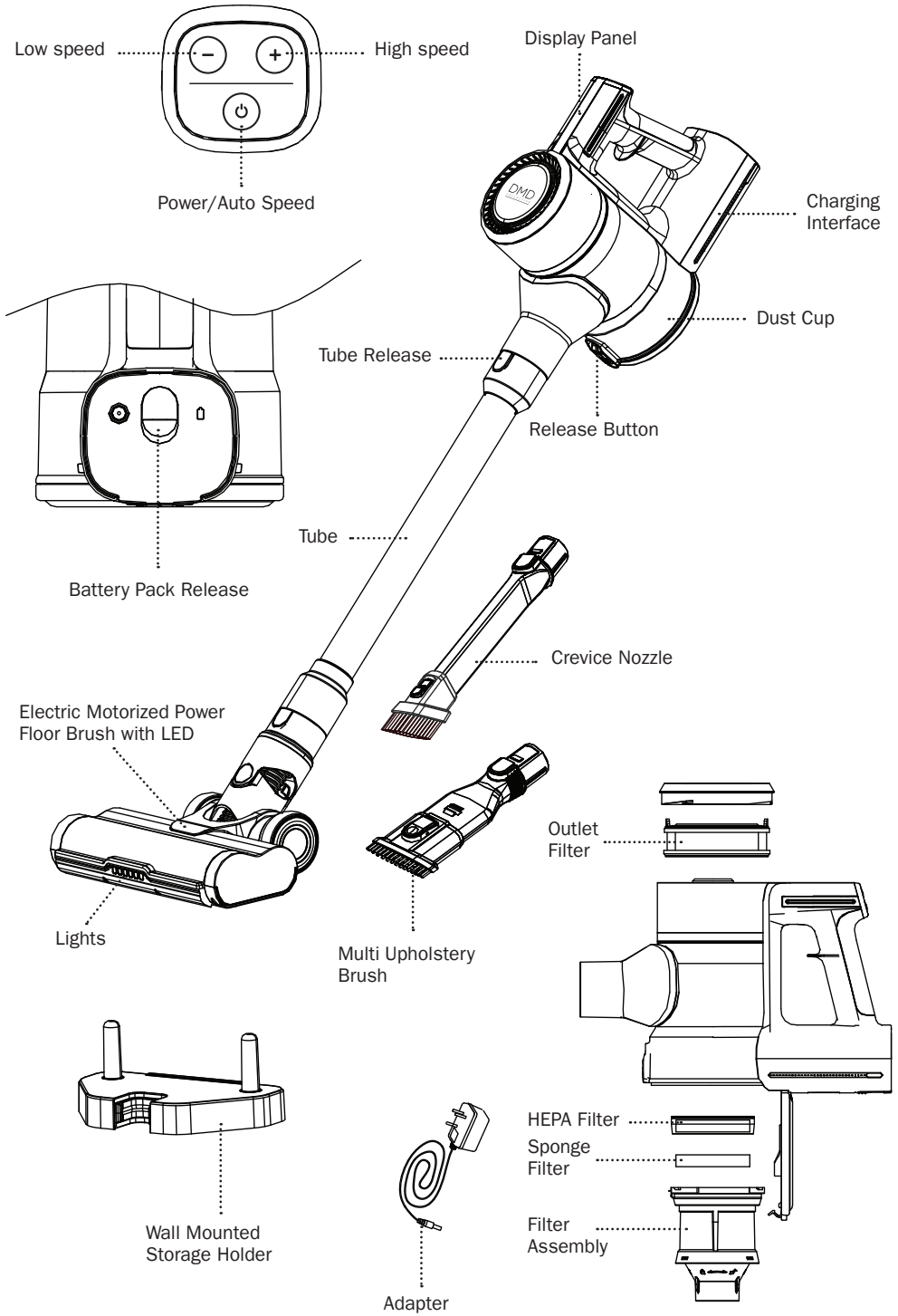
Please read through ALL the information in this document and keep it for future reference.



Health and Safety Guidelines

- Always unplug the unit when not in use, before cleaning, or when adding or removing parts. Please read the instructions carefully before using any appliance.
- Always ensure that the voltage on the rating label corresponds to the mains voltage in your home.
- Incorrect operation and improper use can damage the appliance and cause injury to the user.
- The appliance is intended for household use only. Commercial use invalidates the warranty, and the supplier cannot be held responsible for injury or damage caused when using the appliance for any other purpose than that intended.
- Check the power cord and adapter regularly for any damage. The cord or adapter will need to be replaced if it is damaged.
- Do not use the appliance if it has been dropped or damaged in any way. If the unit is damaged, take it in for examination and/or repair by an authorized service agent.
- To reduce the risk of electric shock, do not immerse or expose the assembly, adapter, or cord to water or any other liquid.
- Never immerse the unit in water or any other liquid for cleaning purposes. Do not reach for an appliance that has fallen into the water. Unplug immediately.
- Remove the adapter from the socket by gripping the plug. Do not pull on the cord to disconnect the appliance from the mains.
- Injury, fire, or electric shock could result from the use of accessory attachments that the manufacturer has not approved or supplied.
- Do not let the cord hang over the edge of a table or counter.
- Ensure that the cord is not in a position where it can be pulled inadvertently.
- Do not allow the adapter cord to touch hot surfaces, and do not place it on or near a hot gas or electric burner or a heated oven. Do not place the unit on a hot surface.
- This appliance is not suitable for outdoor use. Do not use this appliance for anything other than its intended purpose.
- Do NOT carry the unit by the adapter cord.
- Do not leave this appliance unattended during use. An appliance should never be left unattended when plugged in.
- The manufacturer does not accept responsibility for any damage or injury caused by improper or incorrect use or for repairs carried out by unauthorised personnel.
- In the event of technical problems, switch off the appliance and do not attempt to repair it yourself. Return the appliance to an authorised service facility for examination, adjustment, or repair.
- Always insist on the use of original spare parts. Failure to comply with the above-mentioned precautions and instructions will affect the safe operation of this machine.
- We do not recommend using extension cords with this product.
- Do not use the vacuum cleaner on wet surfaces.
- Do not use the appliance to pick up burning or smoking items such as cigarettes, matches, or hot ashes.
- Do not use to clean flammable or combustible liquids such as gasoline, or in areas where such liquids may be present.
- Always ensure the dust cup filter is correctly installed before use.
- Keep hair, loose clothing, fingers, and other body parts away from openings and moving parts.
- Avoid placing the hose or any attachments near your face or body.
- Always unplug the vacuum before connecting or disconnecting the hose or attachments.
- Remove large or sharp objects from the floor before vacuuming to avoid damage.
- Do not insert any objects into vacuum openings.
- The vacuum includes a battery. Using an incorrect battery may damage the motor and cause injury.
- Clean the dust cup and brush roll regularly.
- If the air intake, brush, or extension tubes become blocked, switch off the vacuum cleaner. Clear the blockage before restarting the appliance.

Parts And Accessories



Assembling The Vacuum Cleaner

NOTE: All attachments must be aligned to ensure proper connection. A clicking sound indicates the part is securely attached.

Installing the floor brush head

1. Attach the floor brush head directly to the vacuum cleaner body.
2. Push until you hear an audible click, confirming it is securely connected.

Removing the floor brush head

Press the release button and pull to detach the floor brush head.

Installing the multi-brush

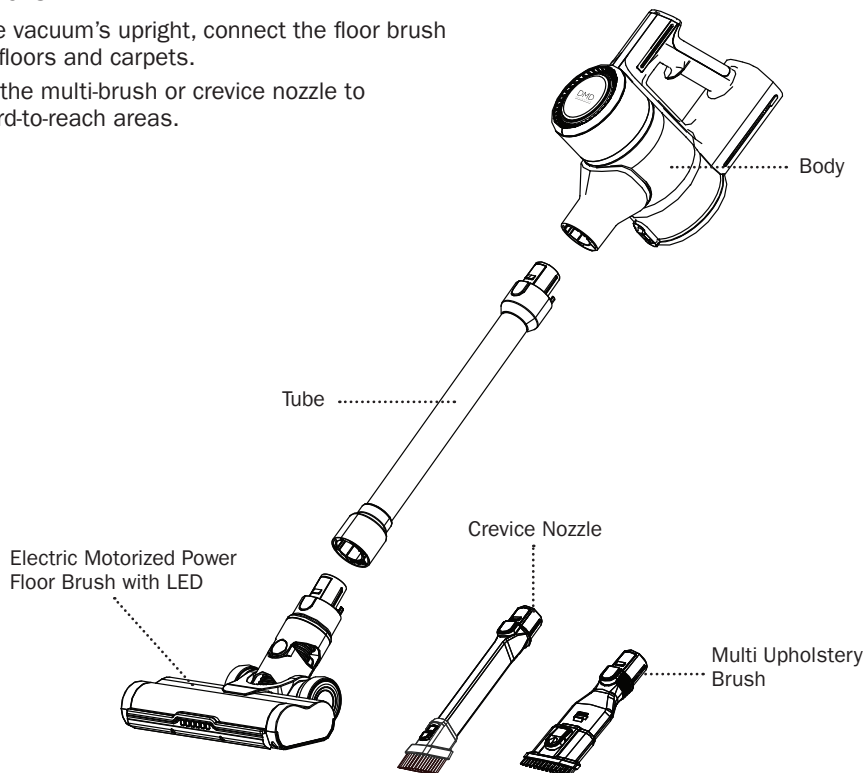
1. Connect the multi-brush directly to the vacuum cleaner body.
2. Again, wait for an audible click to confirm the attachment.

Installing the aluminium tube and crevice nozzle

1. Insert the floor brush head into the aluminum tube until you hear a click.
2. Insert the other end of the aluminum tube into the vacuum's body until it clicks into place.

Usage options

- When the vacuum's upright, connect the floor brush to clean floors and carpets.
- Connect the multi-brush or crevice nozzle to clean hard-to-reach areas.



Using The Vacuum Cleaner

To operate your vacuum cleaner, please follow these steps:

1. Power on/off

- Press the power button to turn the vacuum cleaner on or off.
- When turned on, the vacuum will automatically start in Intelligent Cleaning Mode.

2. Adjust power modes

- Press the power button to turn the vacuum cleaner on or off.
- When turned on, the vacuum will automatically start in Intelligent Cleaning Mode.
- To change mode press the (+) or (-) button.

Working Modes Explained

Intelligent Cleaning Mode (Default)

- Automatically detects dust levels and adjusts suction power for optimal cleaning and energy efficiency.

Energy Saving Mode (“-”)

- Minimises power consumption while maintaining effective cleaning performance. Ideal for everyday use and extending battery life.

Strong Mode (“+”)

- Delivers maximum suction for deep cleaning on carpets or stubborn dirt. extending battery life.

LED Display Guide

The LED lights on your vacuum cleaner provide important visual feedback during operation and charging. Below is an explanation of what each display means.

Automatic mode indicator (A):

- When the vacuum is running in Intelligent Cleaning Mode, the LED in Area A remains lit.
- In Energy Saving or Strong Mode, the LED in Area A will be off

During operation (B):

- The LED lights change when switching between 'Intelligent', 'Energy Saving' & 'Strong' modes.

Filter or air duct blockage (C):

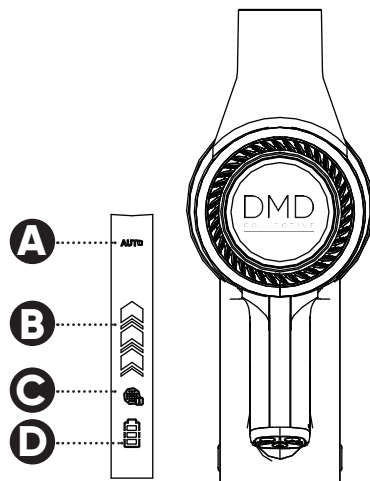
- If the filter needs cleaning or the air duct is blocked, the LED in Area C will flash.
- In this case, clean the filter or empty the dust cup to restore performance.

While charging (D):

- The LED lights turn on sequentially as the battery charges.

Fully charged (D):

- All LED lights remain fully illuminated, indicating maximum charge.



Charging The Battery

Your cordless vacuum cleaner is powered by a 25.9V / 2200mAh removable lithium-ion battery.

Run time estimates:

- Up to 50 minutes in Energy Saving Mode (“-”).
- Up to 15 minutes in Strong Mode (“+”).

ADVICE: If suction becomes weak, charge the vacuum cleaner promptly to maintain optimal performance.

1. Ensure the battery pack is correctly installed in the vacuum cleaner.
2. Connect the power adapter to the charging port.
3. The LED lights will illuminate sequentially to indicate the charging progress.
4. Once fully charged, all LED lights will remain on. After approximately 20 minutes, the lights automatically turn off to conserve energy.

Installing & Removing The Battery Pack

Removing the battery pack:

1. The battery is located inside the main body of the vacuum cleaner.
2. Slide and hold the battery release button, then pull the battery pack out carefully.

Installing the battery pack:

1. Align the battery pack with the main body.
2. Insert it firmly until you hear an audible click, indicating it is securely in place.

Quick Dust Container Cleaning

Follow these steps to maintain a clean dust container and preserve your vacuum cleaner's performance.

Emptying the dust cup:

1. Slide down the dust cup's bottom release button.
2. Hold the appliance over a bin before the bottom lid opens to release the contents.

Cleaning Or Replacing The Sponge & HEPA Filters

To clean the filter components:

Remove the filter assembly:

1. Open the bottom of the dust cup.
2. Rotate the top of the cyclone according to the directional markings to detach it.
3. Take out the cyclone filter assembly and remove the sponge and HEPA filters.

Remove the air outlet muffler:

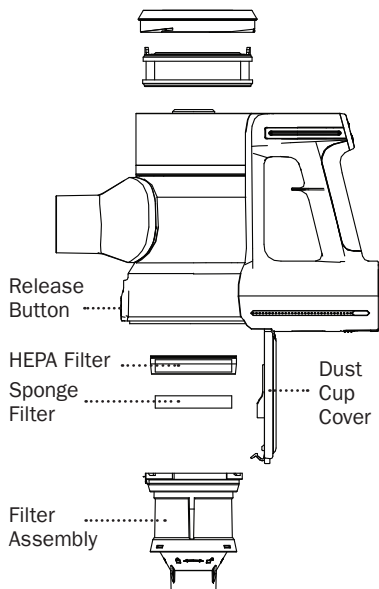
1. Twist the upper cover counterclockwise to open.
2. Remove the air outlet muffler from the unit.

Filter cleaning:

1. Clean the HEPA filter and sponge filter using clean water or compressed air.
2. Shake off excess water and allow all filters to dry completely before reinstalling.

IMPORTANT:

- Ensure all filters are completely dry before reinserting them into the vacuum cleaner.
- Always install the filters in their correct positions to ensure proper function and to avoid damage.



Cleaning The Floor Brush Head & Assembly

NOTE: We recommend cleaning the floor brush head regularly. Especially if suction power decreases or if it is visibly dirty.

To clean the brush head:

1. Detach the floor brush head by pressing the release button on the bottom of the brush head.
2. Remove the brush roller manually from the housing.
3. When necessary, carefully cut away tangled hair or debris with scissors.
4. For a thorough clean, rinse the roller under water.

To reassemble after cleaning:

1. Insert the clean, dry roller back into the brush head.
2. Push the side cover of the floor brush back into position until you hear a click, confirming secure assembly.

Storage For Vacuum Cleaner & Accessories

The vacuum cleaner comes with a storage holder for mounting on the wall to properly store your vacuum cleaner and its accessories:

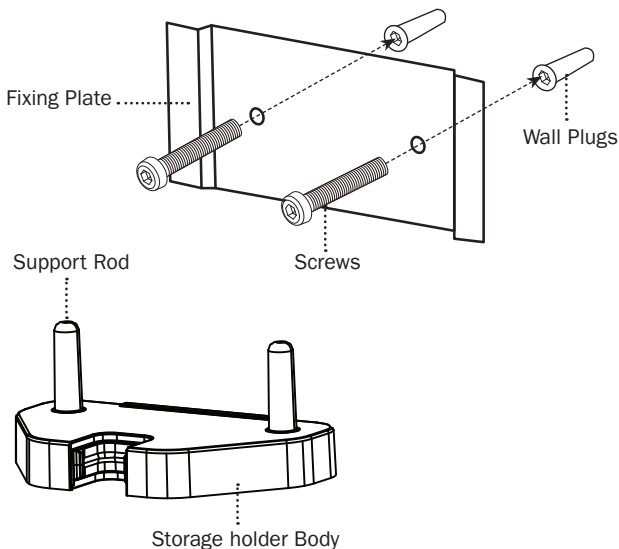
Attach the support rod:

Rotate the support rod clockwise into the base hole until it locks into place and you hear a click.

Wall mounting:

Attach the storage holder to a wall using the fixing plate, screws & wall plugs. Mount the wall storage holder at a height that allows the floor brush head to hover above the floor.

CAUTION: Always check for electrical wiring or water pipes behind the wall before drilling.




Technical Support

If you require any technical support for your product within the warranty period, please contact us on **support@dmdcollective.co.uk** and provide the product name and supplier code (see Technical Specifications) along with the technical query and proof of purchase.

WEEE



The WEEE symbol  on this product means that this unit should be ethically dismantled or recycled to minimise environmental impact. Please check with your local authority for more information.

IMPORTANT: ADDITIONAL SAFETY INFORMATION

Warning: This product is not intended for use by children or individuals with reduced physical, sensory, or mental capabilities unless supervised by a responsible adult. Small parts may present a choking hazard. Always keep out of reach of children.

Technical Specifications

Product Name:	DMD Cordless Multi Cyclone Smart Vacuum Cleaner
Supplier Code:	DMD157
Voltage:	DC25.9V
Wattage:	350W
Capacity:	600ml
Run Time:	High Mode: 15min, Low Mode: 50min



Ace Supply Co Ltd.,
Suite GA, Marsland House,
Marsland Road, Sale M33 3AQ

For Product Support:
E: support@dmdcollective.co.uk

EU Regd. Address:
Ace Supply Co (Europe) Ltd.,
Dublin 2, D02 A098, ROI