

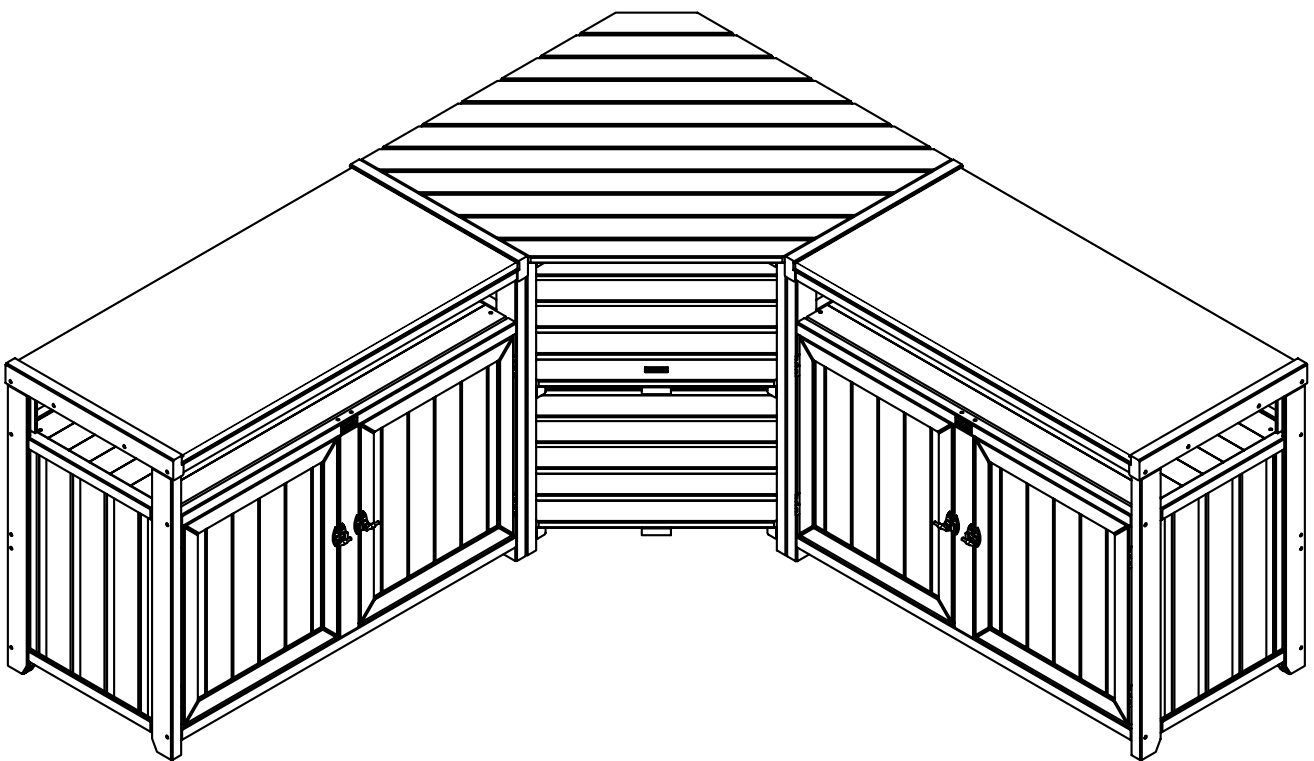


# Assembly Instructions

## Terraza Outdoor Kitchen Range Set

Code: 38341

VI 05 25



(W x D x H) 2.21m x 2.21m x 0.89m



**ONLINE ASSEMBLY VIDEO AVAILABLE**  
Please scan the QR code or visit [zestoutdoorliving.co.uk/assembly-search](http://zestoutdoorliving.co.uk/assembly-search)



**PLEASE KEEP THESE INSTRUCTIONS**

# Your new timber product is made to last.

**Crafted from sustainable, PEFC-certified European redwood, this product is treated for durability in order to last for many years. The natural knots and variations in the wood give it unique character, and while small cracks may appear as the product settles into its environment, this is completely normal and doesn't affect its strength.**

## Important Assembly notes

- **Wood is a natural material** – it expands, contracts, and may shift slightly with changes in humidity and temperature. As a result, some components might need gentle pressure or realignment during assembly.
- **Do not fully tighten all screws at the beginning.** First, position and loosely fasten all brackets in the correct order to allow the structure to “settle.” Once all components are in place and aligned, you can proceed with final tightening.

## Caring for Your Product

- This product has been **pressure treated** to protect the timber from rot and extend its lifespan. You may notice slight ‘**green spotting**’ on the surface—this is caused by natural salts rising to the surface during treatment. It will fade over time, or you can gently sand it off if preferred.
- Variations in the timber's colour or shading are normal and part of its **natural character**. These will gradually even out and fade with exposure to sunlight.
- To maintain the quality and appearance of your product, apply a **water-repellent preservative** or **exterior wood paint** once a year. This helps protect against discoloration and keeps your product looking its best.
- Use soapy water and a stiff brush to remove any build-up of dirt. Ensure the wood is completely dry before applying any timber treatments.
- For tougher stains or to refresh the surface, lightly sand the wood with medium-grit sandpaper, then reapply a protective treatment.

**Your product is treated to resist rot and decay, but mould can still form in damp conditions. To minimise this:**

- If possible, store in a dry, sheltered area during winter or extended periods of non-use to protect from moisture, frost, and extreme weather.
- **Periodically inspect for signs of mould.** You can use a **mild soap and water solution** to scrub the surface and clean off visible mould.
- **Harsh chemicals should be avoided**, as they may strip away the protective treatment on the wood.

*Note: Always lift your furniture when moving it to protect the legs and supports from damage*

### Advisory Notices

- Roofs are weather resistant and not guaranteed to be watertight unless otherwise stated, and are not weight bearing.
- Items with enclosed storage or cupboard space are weather resistant and are not watertight unless otherwise stated.
- Sanitise all catering surfaces prior to use.



## Ethically Sourced

Zest's slow grown European redwood is sourced from responsibly managed PEFC certified forests. This means forests are used in a way that maintains biodiversity, regeneration, and nature conservation. PEFC tracks certified timber from the forest to the final product giving complete confidence to the customer. [www.pefc.co.uk](http://www.pefc.co.uk)

# Essential Safety Information.



## When Assembling:

- **Wear Protective Gear**

Use gloves and other protective equipment (e.g., safety glasses) to avoid splinters and dust. If the product includes stainless steel or glass components, be mindful of any sharp edges.



- **Follow Instructions**

Carefully adhere to the assembly guidelines, ensuring all nuts, bolts, and screws are fully tightened and secure by the end of construction. We recommend regularly checking the fixings to ensure they are tight and secure.



- **Packaging Materials**

Keep all packaging (e.g., plastic wrap, staples, nails) and fittings away from children. Dispose of the packaging material responsibly to avoid choking or injury hazards.



- **Ensure Stable Ground**

Assemble or place the product on level, stable ground to prevent tipping or collapse. Do not build or assemble the product in high winds.



- **Finger Trap Hazards**

Keep hands and fingers clear of hinges, folding mechanisms, or any moving parts to avoid pinch injuries.



- **Secure Gazebos and Structures**

Anchor or fix gazebos and similar large structures firmly to the ground or to supporting surfaces. This helps them withstand the windy conditions and prevents tipping.

## When In Use:



- **Proper Use**

Do not stand on products unless explicitly designed for that purpose. Refrain from modifying the product in ways not recommended by the manufacturer.



- **Fire Safety**

If your product is intended for use near ovens, grills, or other heat-generating surfaces, follow all recommended safety distances and local fire regulations. Always ensure proper ventilation and exercise caution to avoid fire hazards or heat damage.



- **Children's Safety**

Supervise children at all times. Do not allow them to climb on furniture or use gazebos/structures in unintended ways.

**Thank you for choosing Zest – bringing you closer to nature**

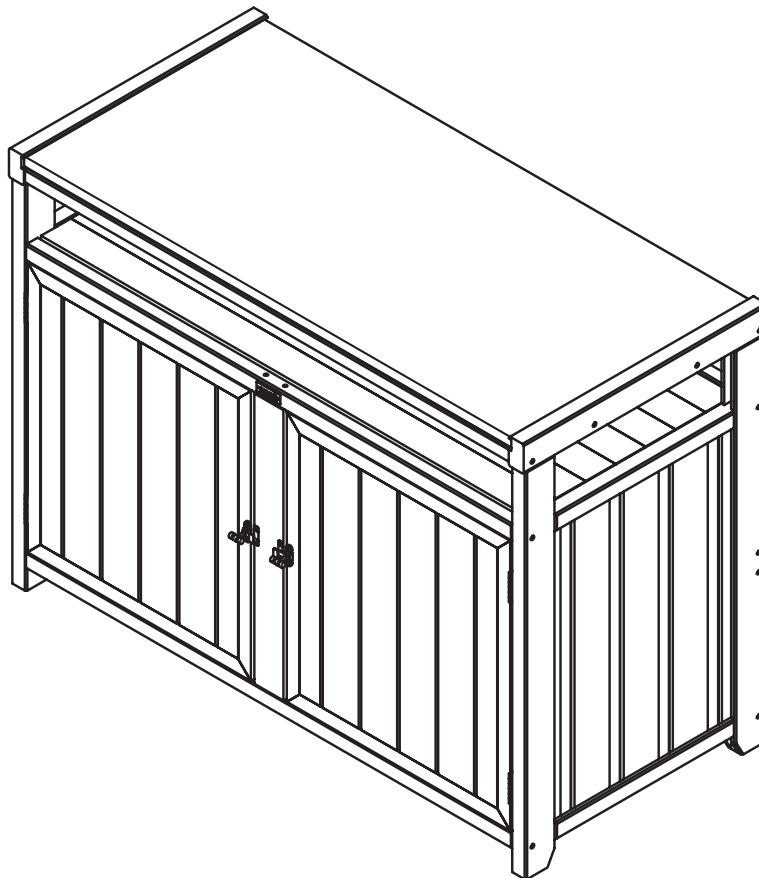


# Assembly Instructions

## Terraza Outdoor Kitchen Double Unit

Code: 36101

V2 12 24



(W x D x H) 1.21m x 0.60m x 0.89m

# Terraza Outdoor Kitchen Double Unit Assembly Instructions

Requires 2 Person assembly

Tools required: Corded / Cordless Drill, Pozi-drive Bit / Screwdriver,  
3mm Drill Bit required in order for you to drill all screw holes before construction.

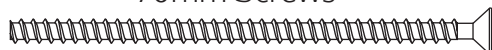
We advise the product is built and situated on firm level ground.

Please take a few moments to check all pack contents listed

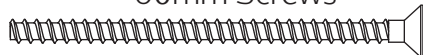
Terraza Outdoor Kitchen Double Unit Pack List			
Part Code	Item	Description	Quantity
38342	A	Side Panel	2
38343	B	Back Panel	2
38344	C	Base Panel	3
38345	D	Brace	4
38346	E	Door	2
38347	F	Centre Brace	1
38348	G	Worktop	1

Code - 38349 Terraza Double Unit Fixings List		
Item	Description	Quantity
1	70mm Screw	12
2	60mm Screw	12
3	35mm Screw	12
4	25mm Screw	24
5	20mm Screw	8
6	Stainless Steel Hinge	4
7	Twist Handle & Catch Set	2

70mm Screws



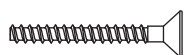
60mm Screws



35mm Screws



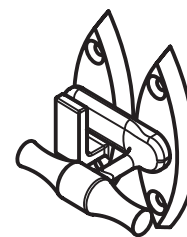
25mm Screws



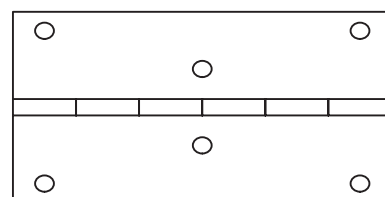
20mm Screws



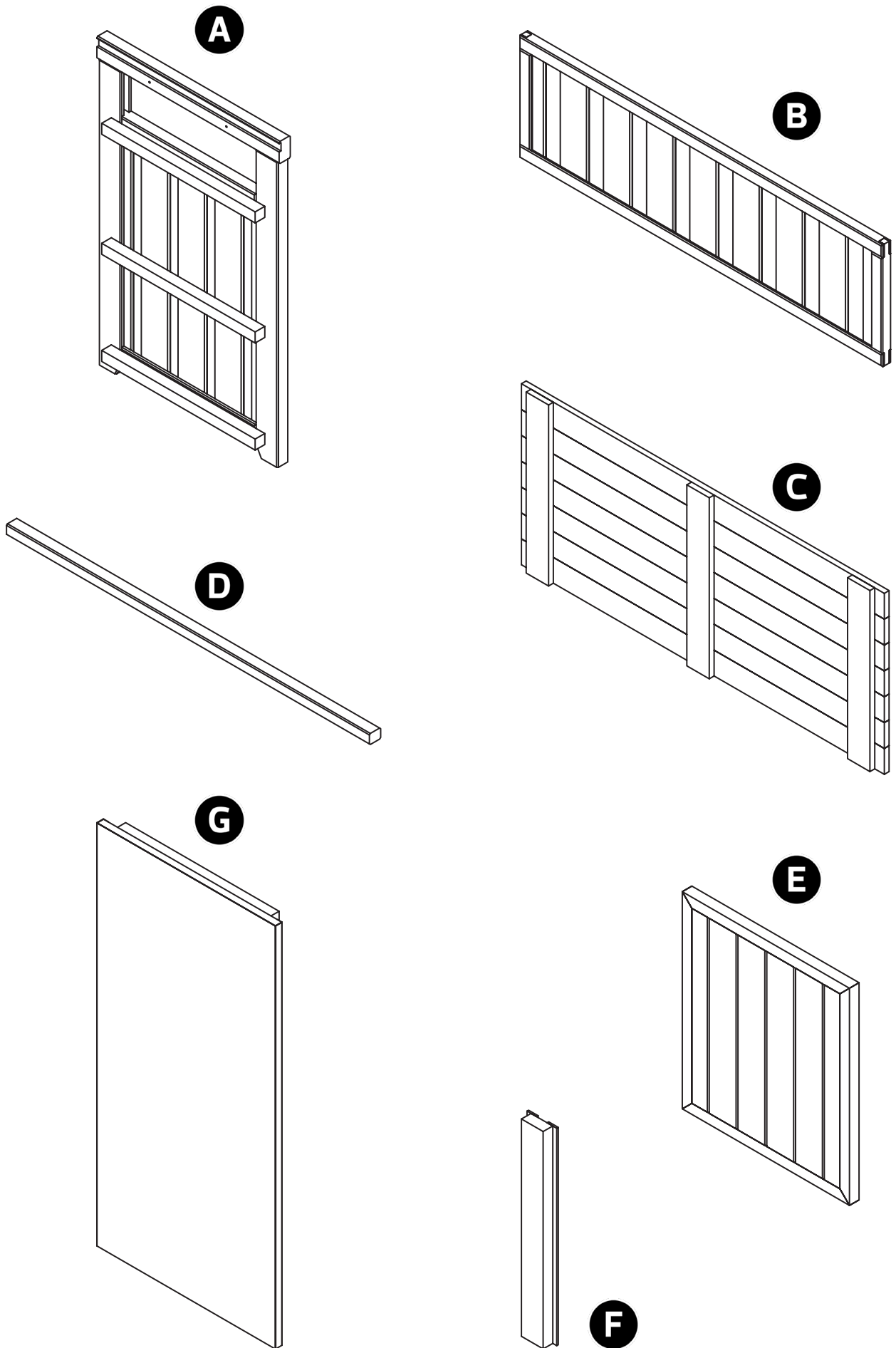
Twist Handle & Catch



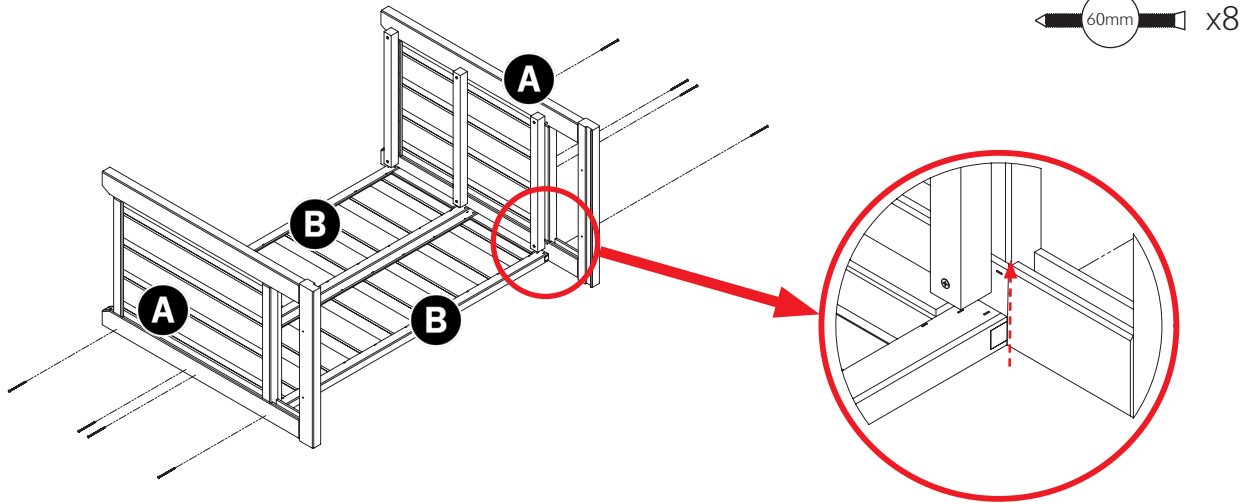
Stainless Steel Hinge



This product is made from pressure-treated timber. It should not be painted or coated with any other treatment until at least 6 months after purchase

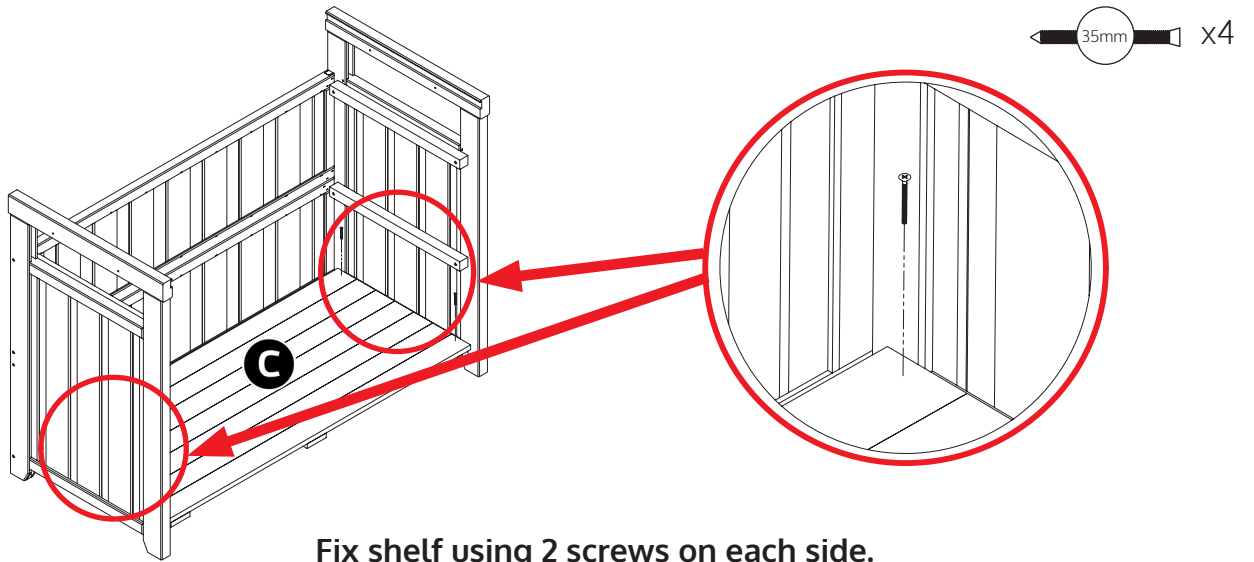


1



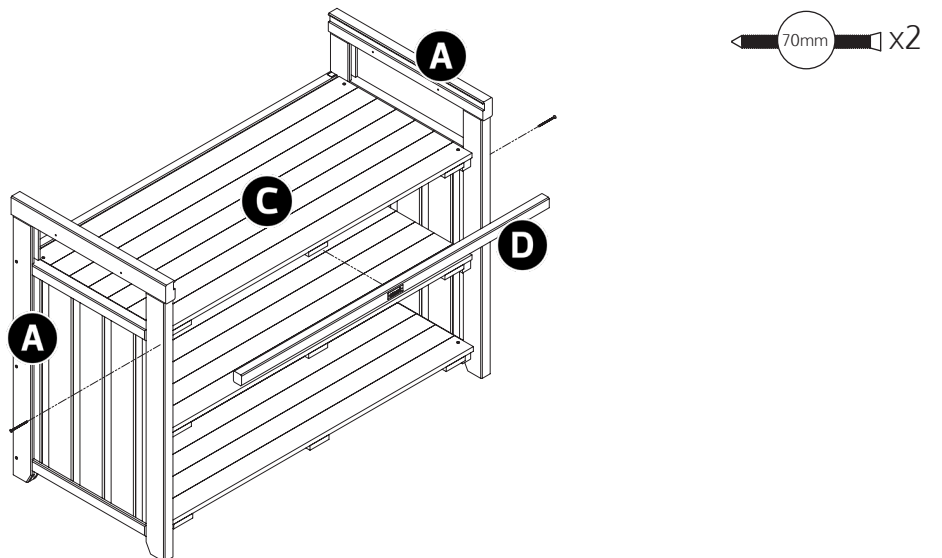
Align top of back panel (B) to top of side panel (A).  
Raise parts (A) & (B) off the floor using brace (D) to aid assembly, if required.

2



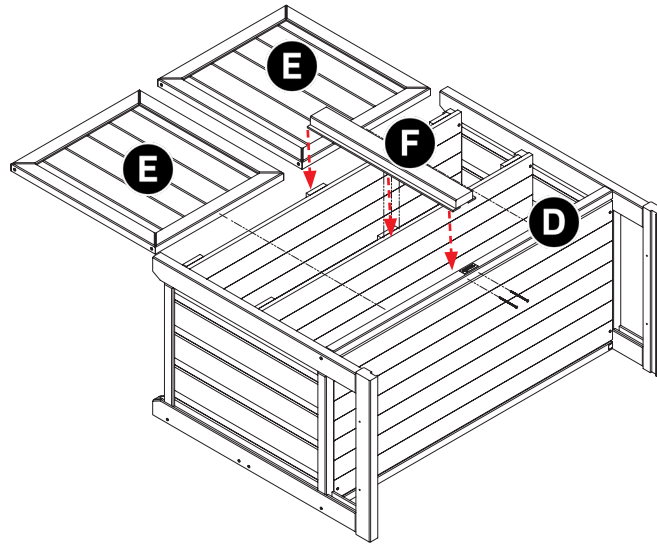
Fix shelf using 2 screws on each side.  
Repeat for remaining 2 shelves (C).

3



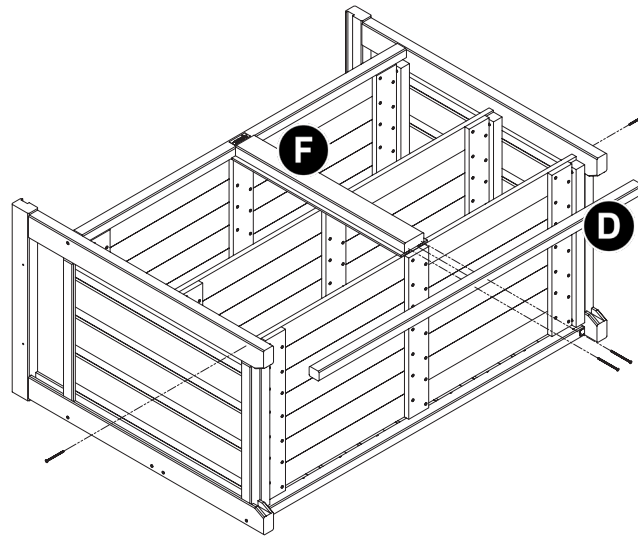
Fit brace (D) flush with side panels (A) and top shelf (C).

4

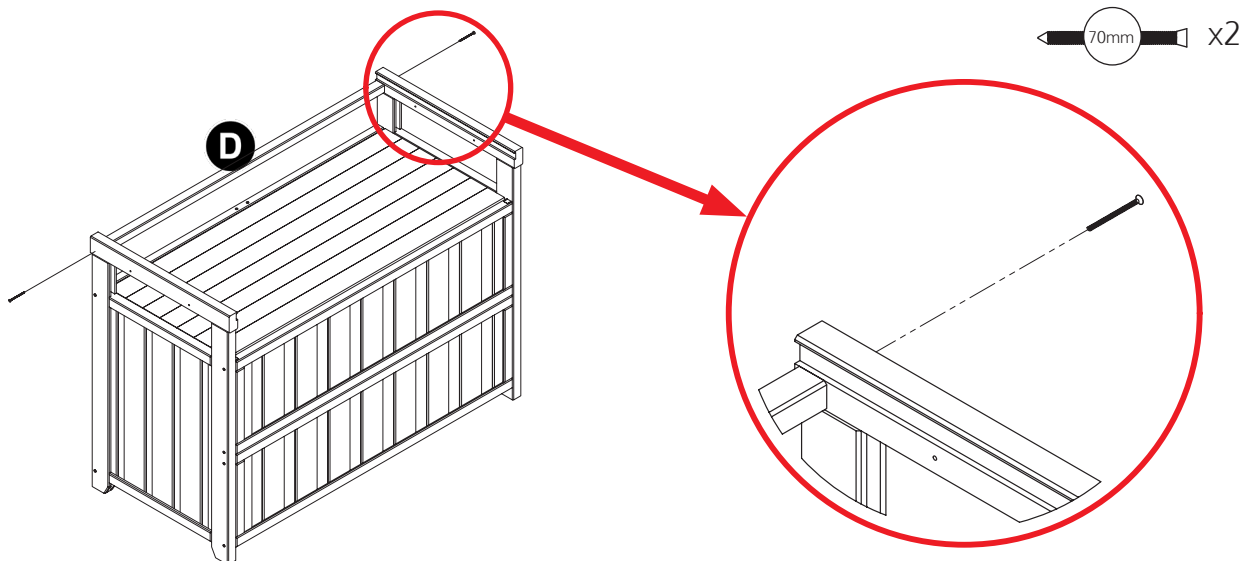


Use the 2 doors as a guide to help position the brace (F) in the centre.

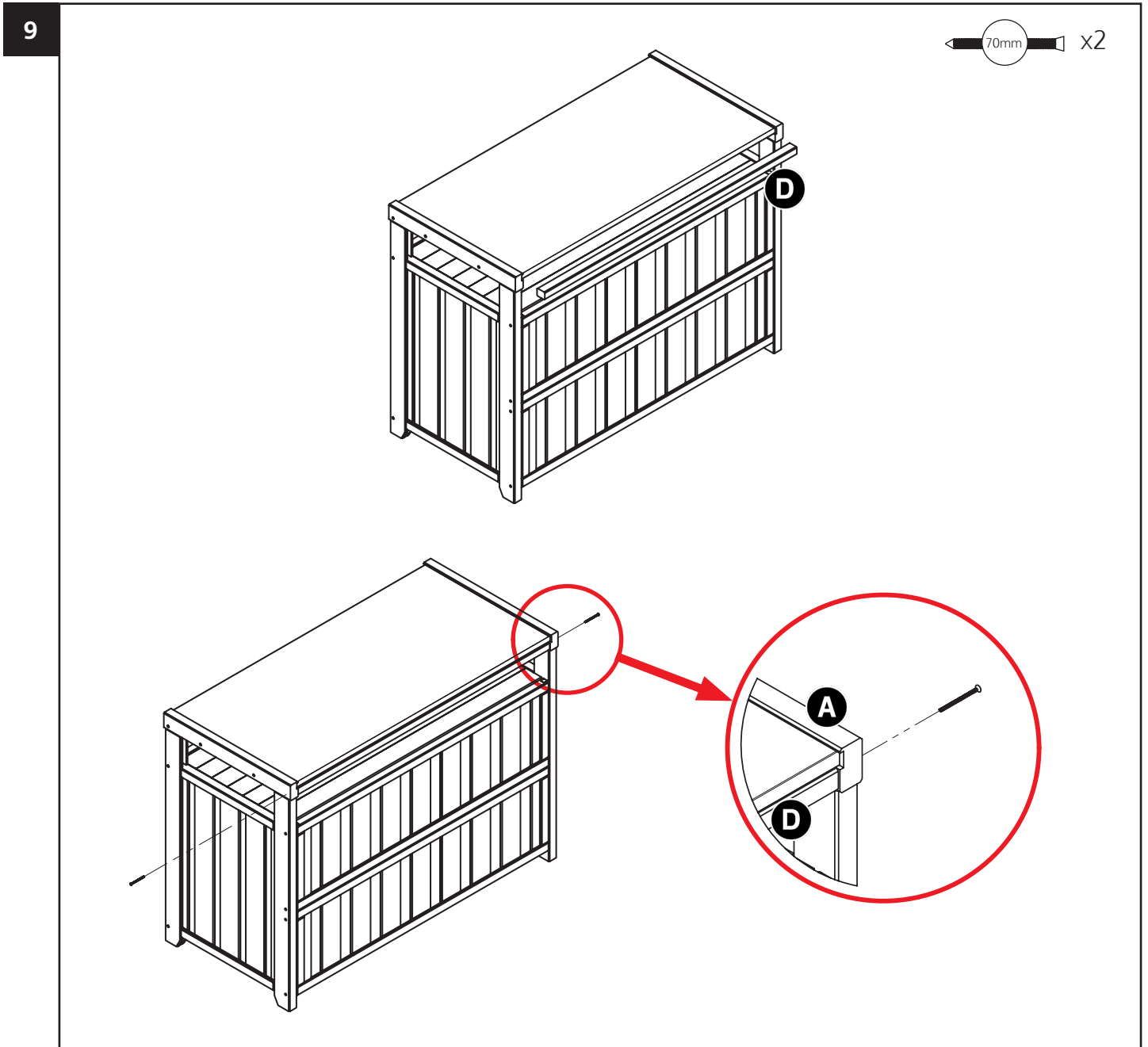
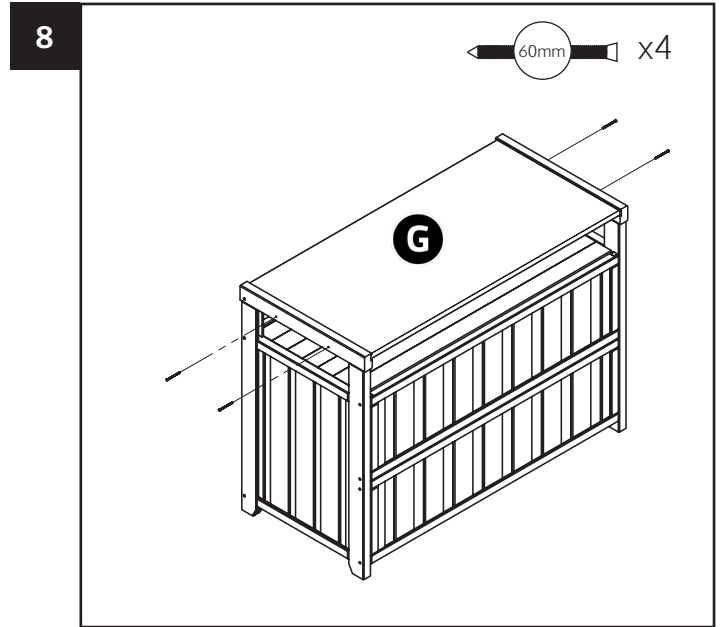
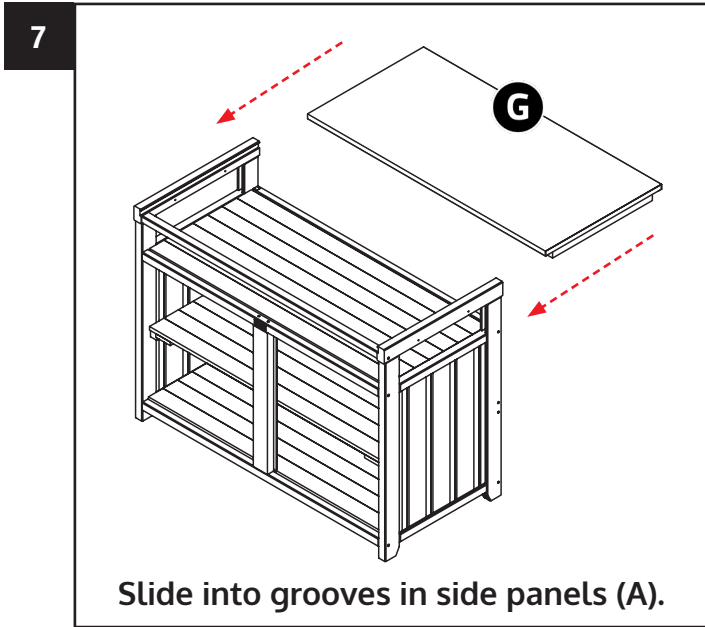
5



6

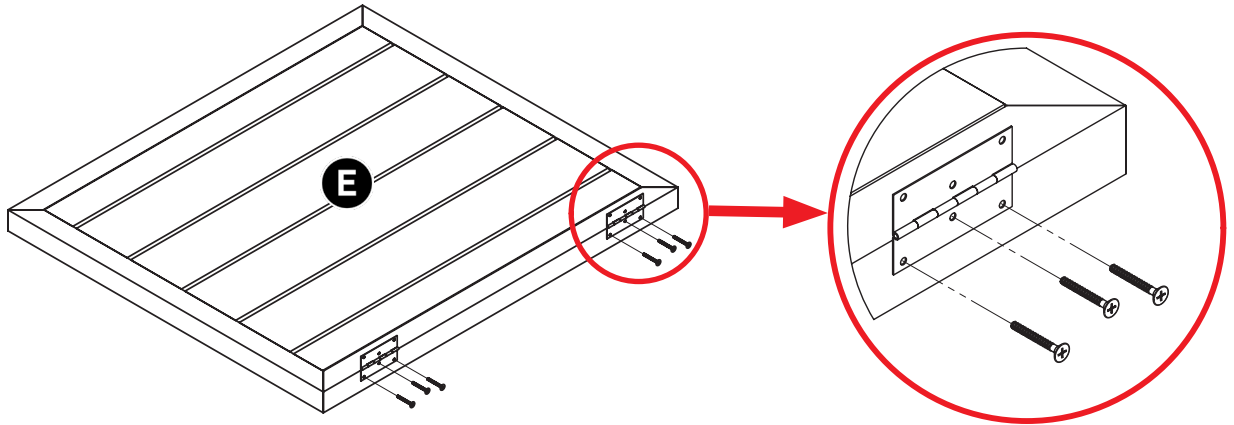


Position brace (D) flush with front of side panels (A).



10

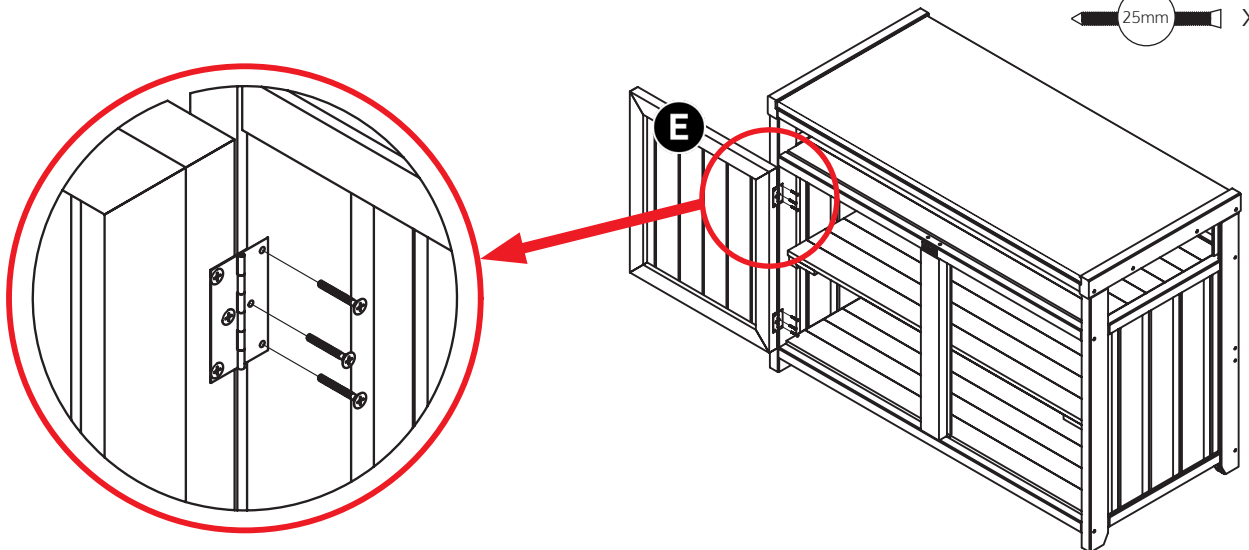
25mm X6



Place hinges 60mm from both ends, repeat for remaining door.

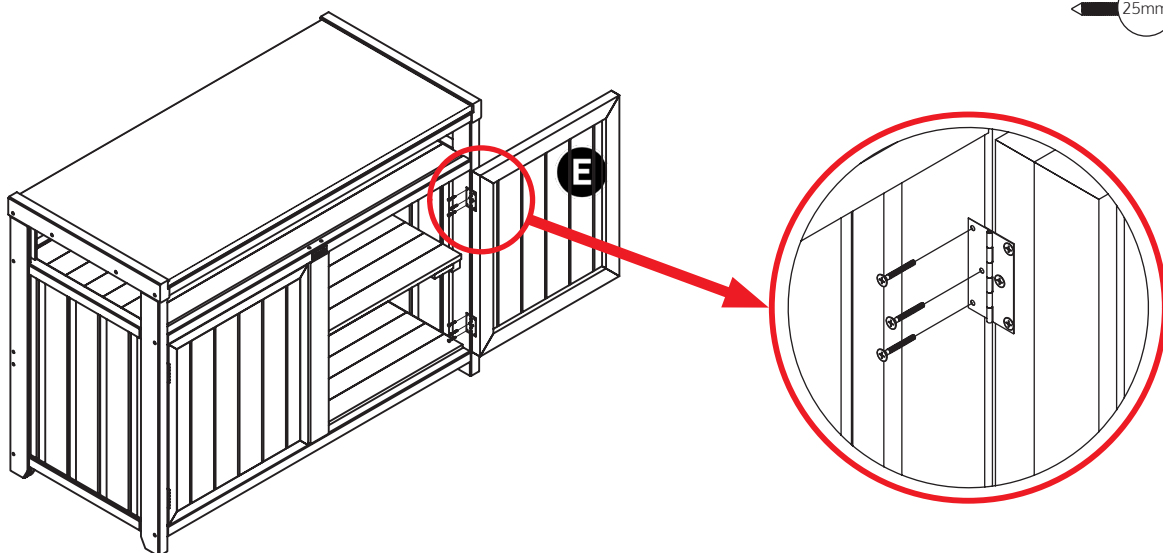
11

25mm X6



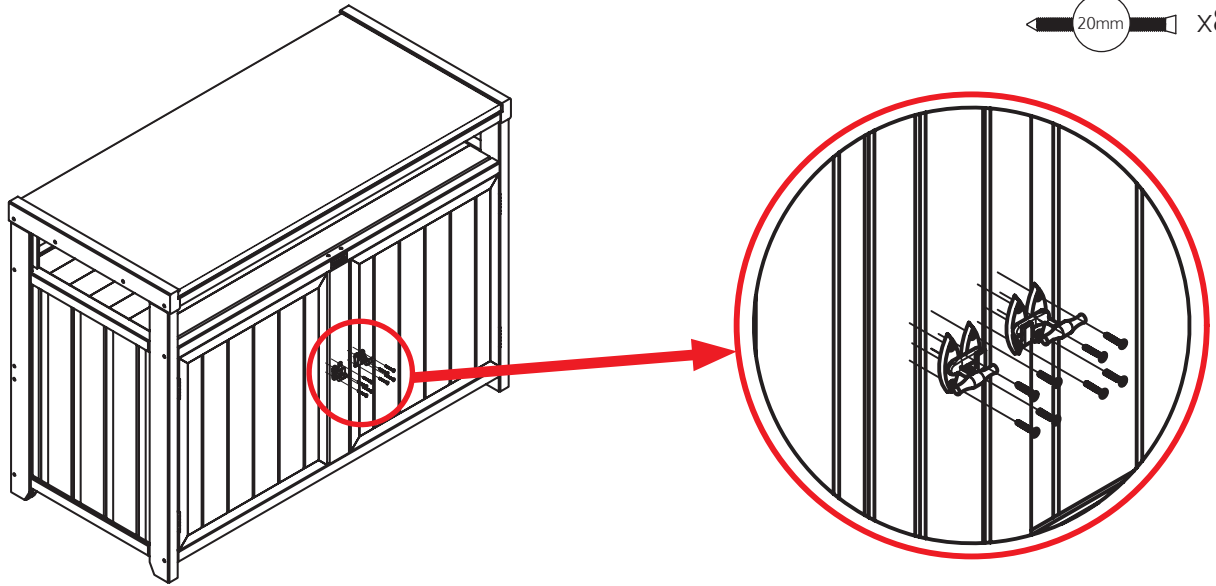
12

25mm X6

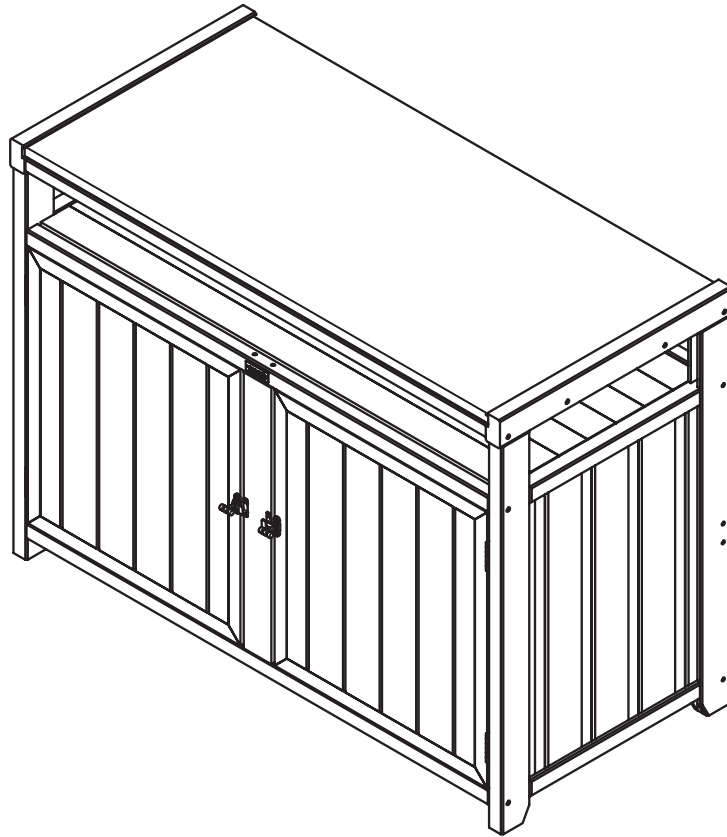


13

20mm x8



14



**Your Terraza Outdoor Kitchen Double Unit is now complete.**

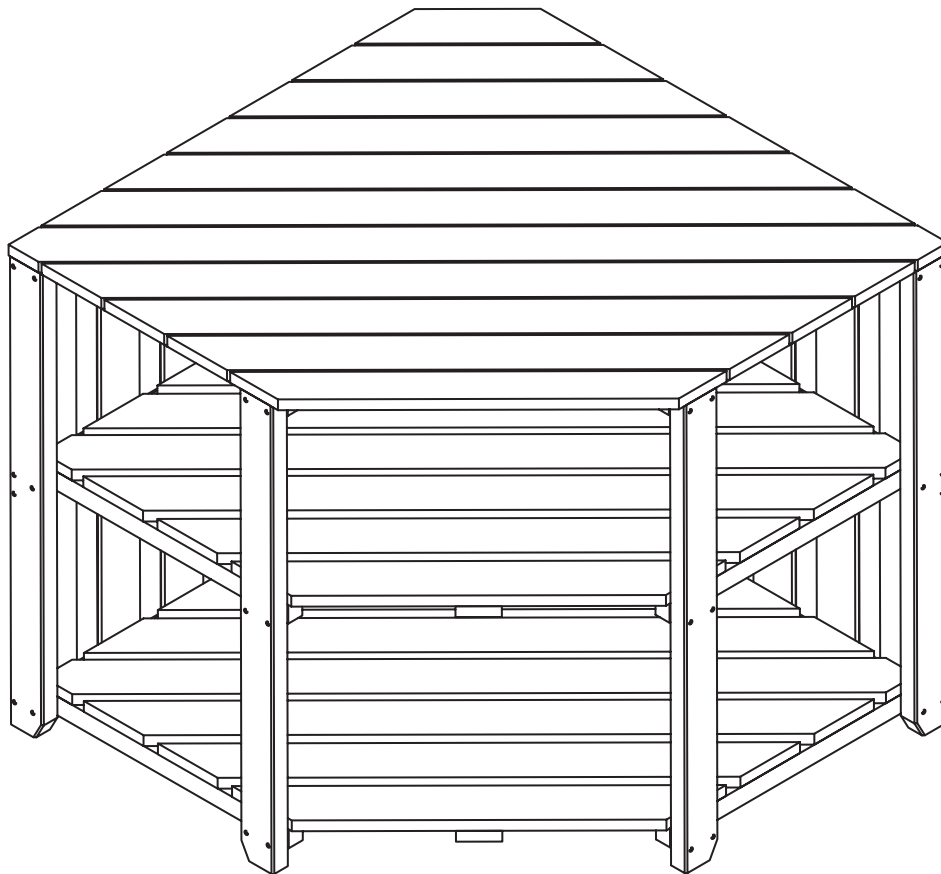


# Assembly Instructions

## Terraza Outdoor Kitchen Corner Unit

Code: 36102

V2 12 24



(W x D x H) 1.02m x 1.02m x 0.89m

# Terraza Outdoor Kitchen Corner Unit Assembly Instructions

Requires 2 Person assembly

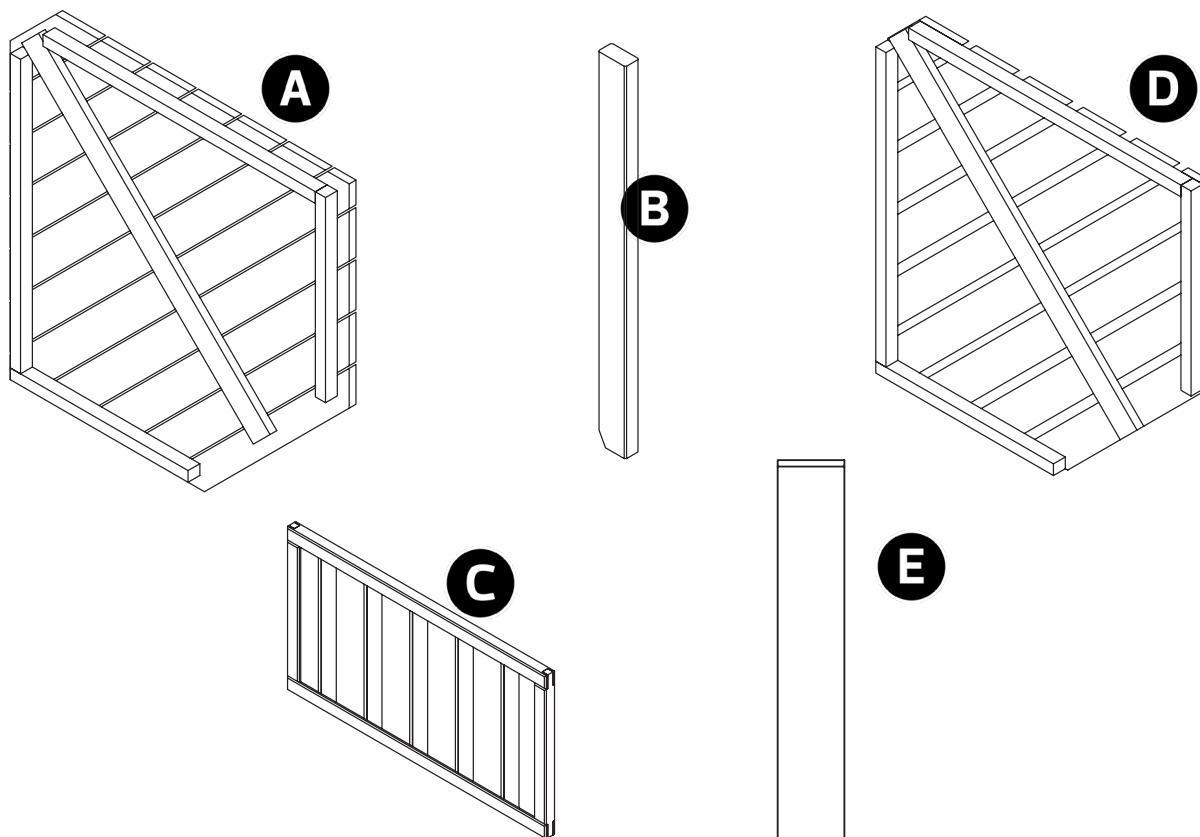
Tools required: Corded / Cordless Drill, Pozi-drive Bit / Screwdriver,  
3mm Drill Bit required in order for you to drill all screw holes before construction.

We advise the product is built and situated on firm level ground.

Please take a few moments to check all pack contents listed

Terraza Outdoor Kitchen Corner Pack List			
Part Code	Item	Description	Quantity
38350	A	Worktop	1
38351	B	Leg	6
38352	C	Back Panel	4
38353	D	Internal Shelves	2
38354	E	Back Fascia	1

Code - 38355 Terraza Outdoor Kitchen Corner Fixings List		
Item	Description	Quantity
1	90mm Screw	8
2	50mm Screw	44



90mm Screws

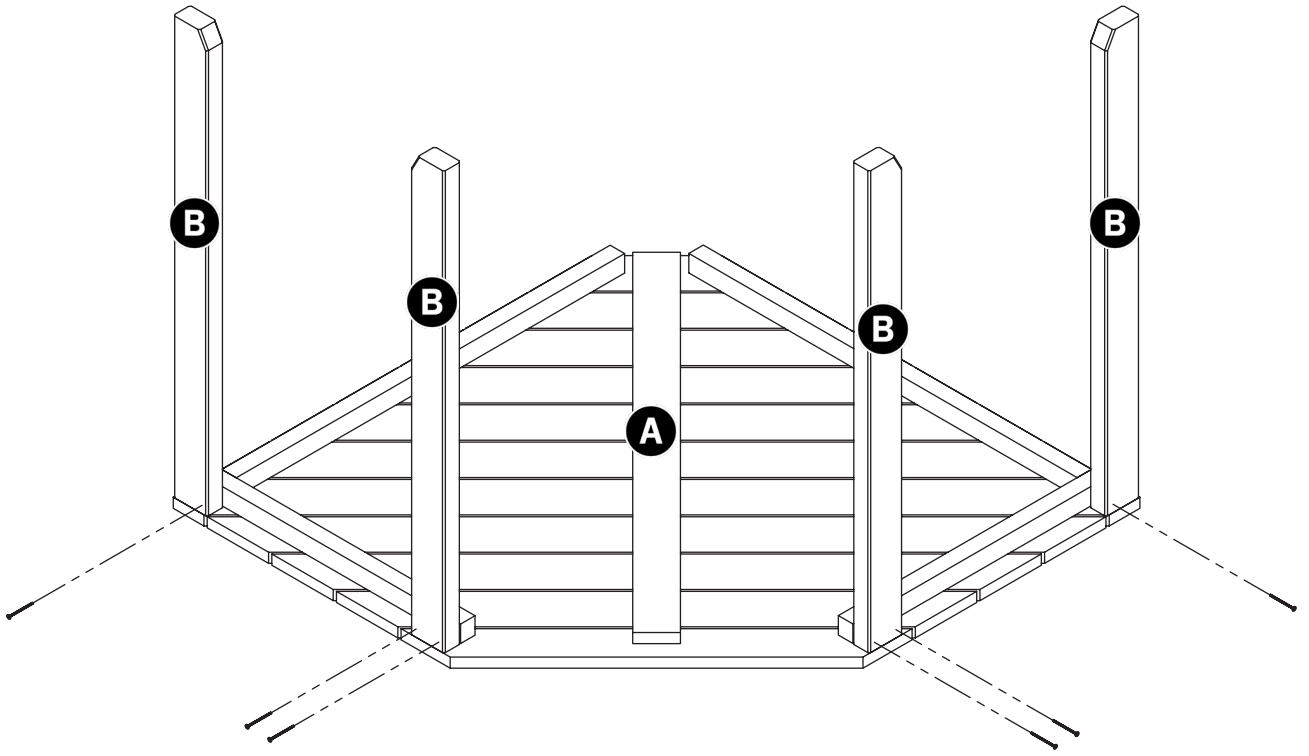


50mm Screws

This product is made from pressure-treated timber. It should not be painted or coated with any other treatment until at least 6 months after purchase

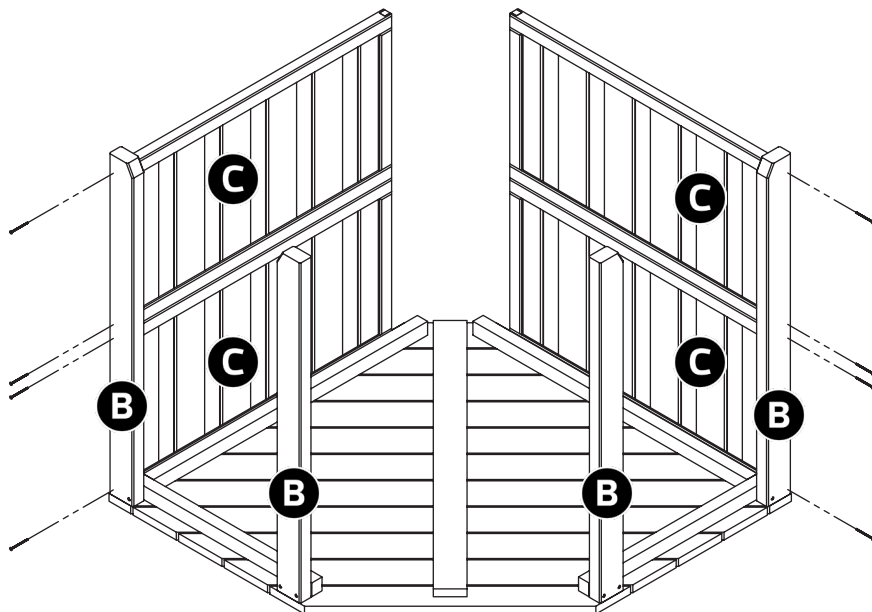
1

50mm x6



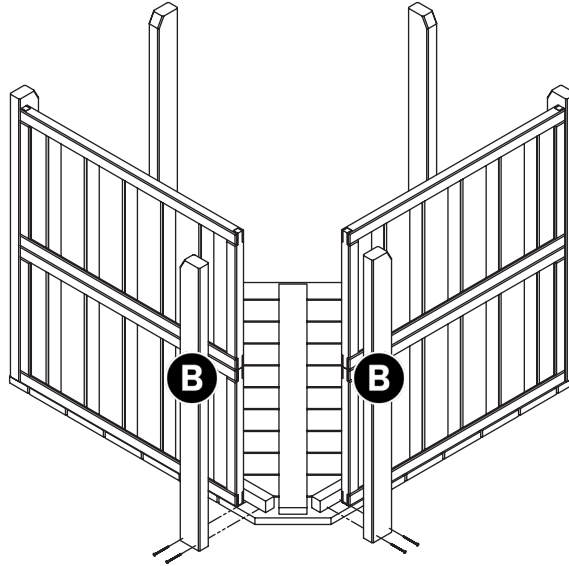
2

50mm x8



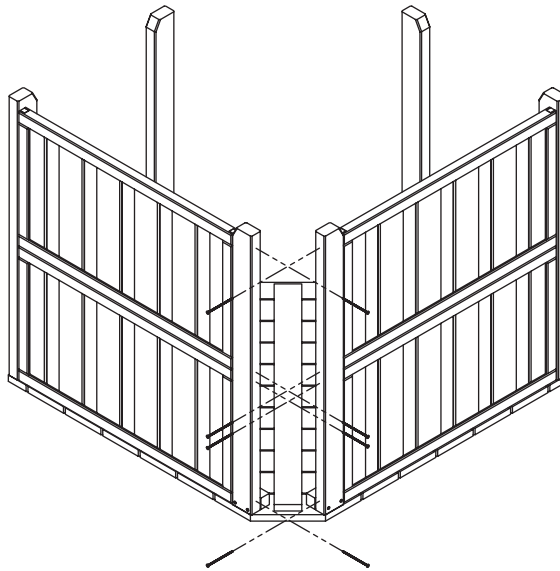
3

50mm x4



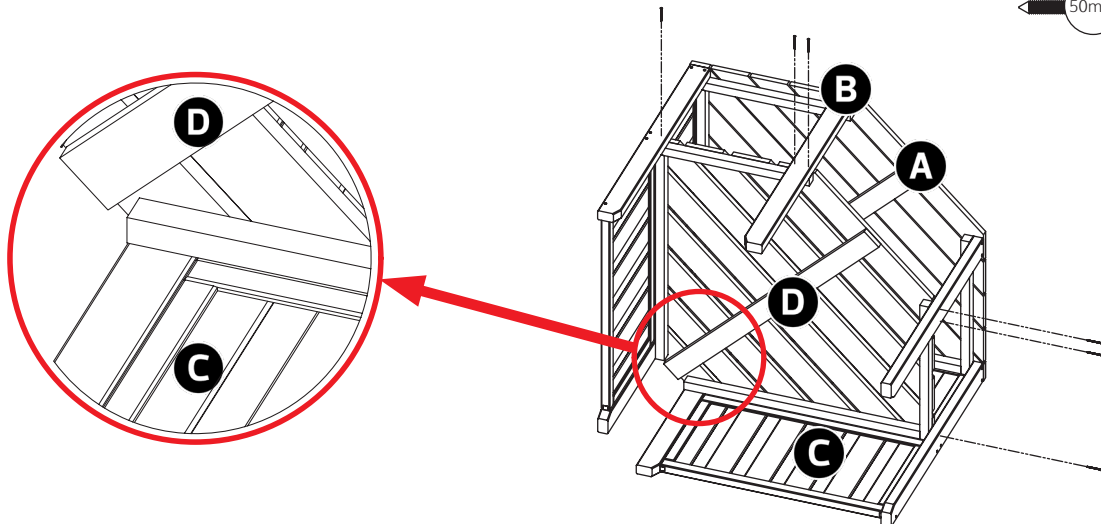
4

90mm x8



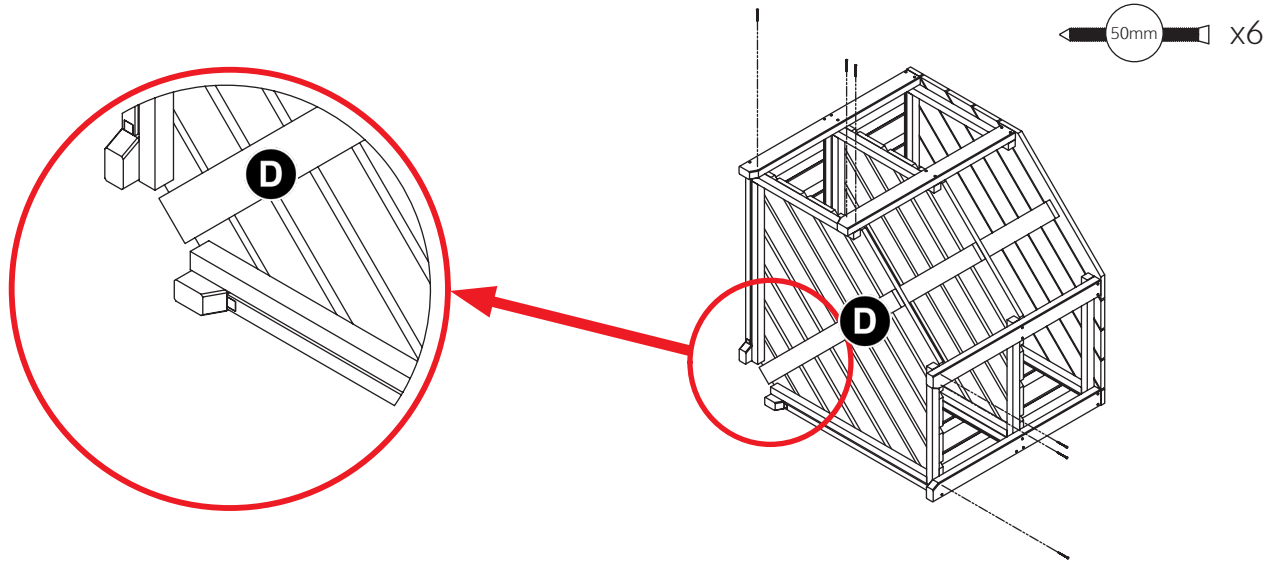
5

50mm x6



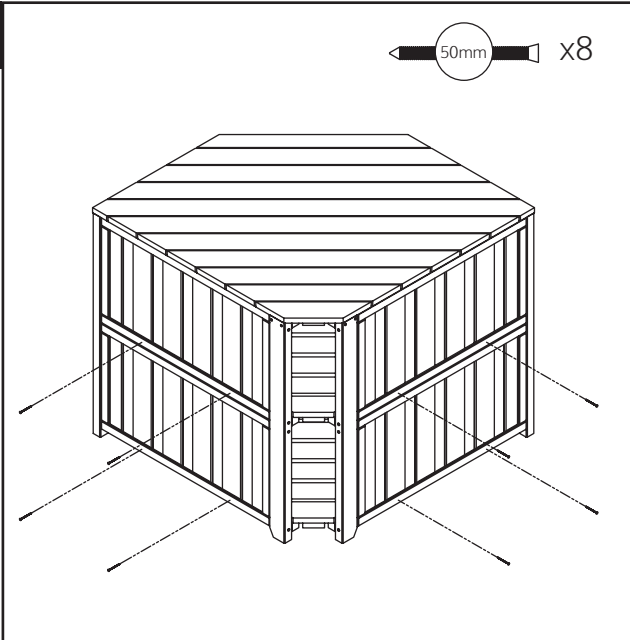
Place shelf in line with the top of the lower back panel.

6

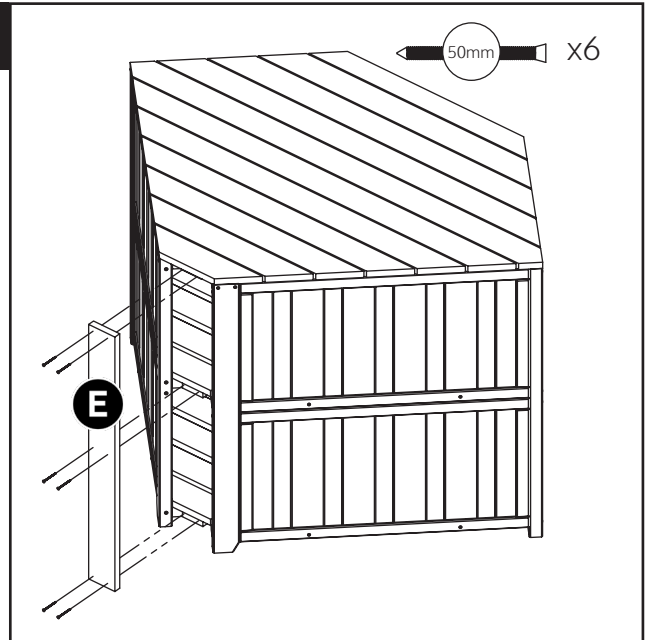


Place shelf in line with the bottom of the lower back panel.

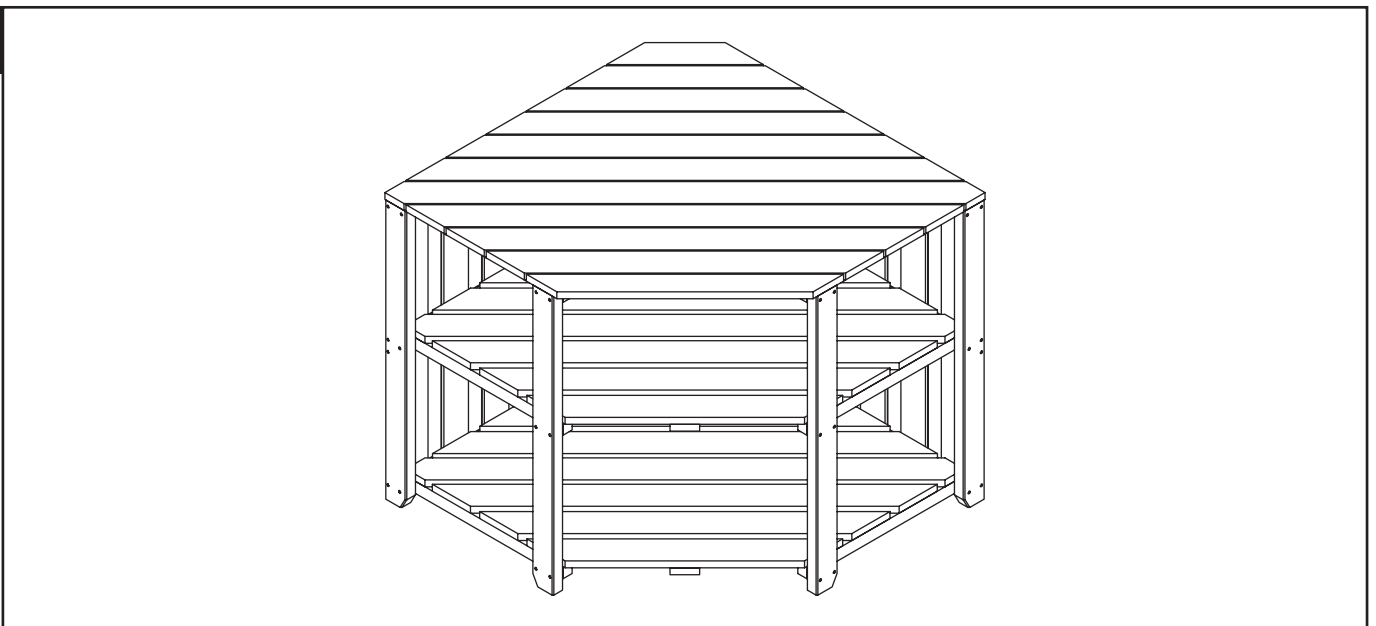
7



8



9



Your Terraza Outdoor Kitchen Corner is now complete.