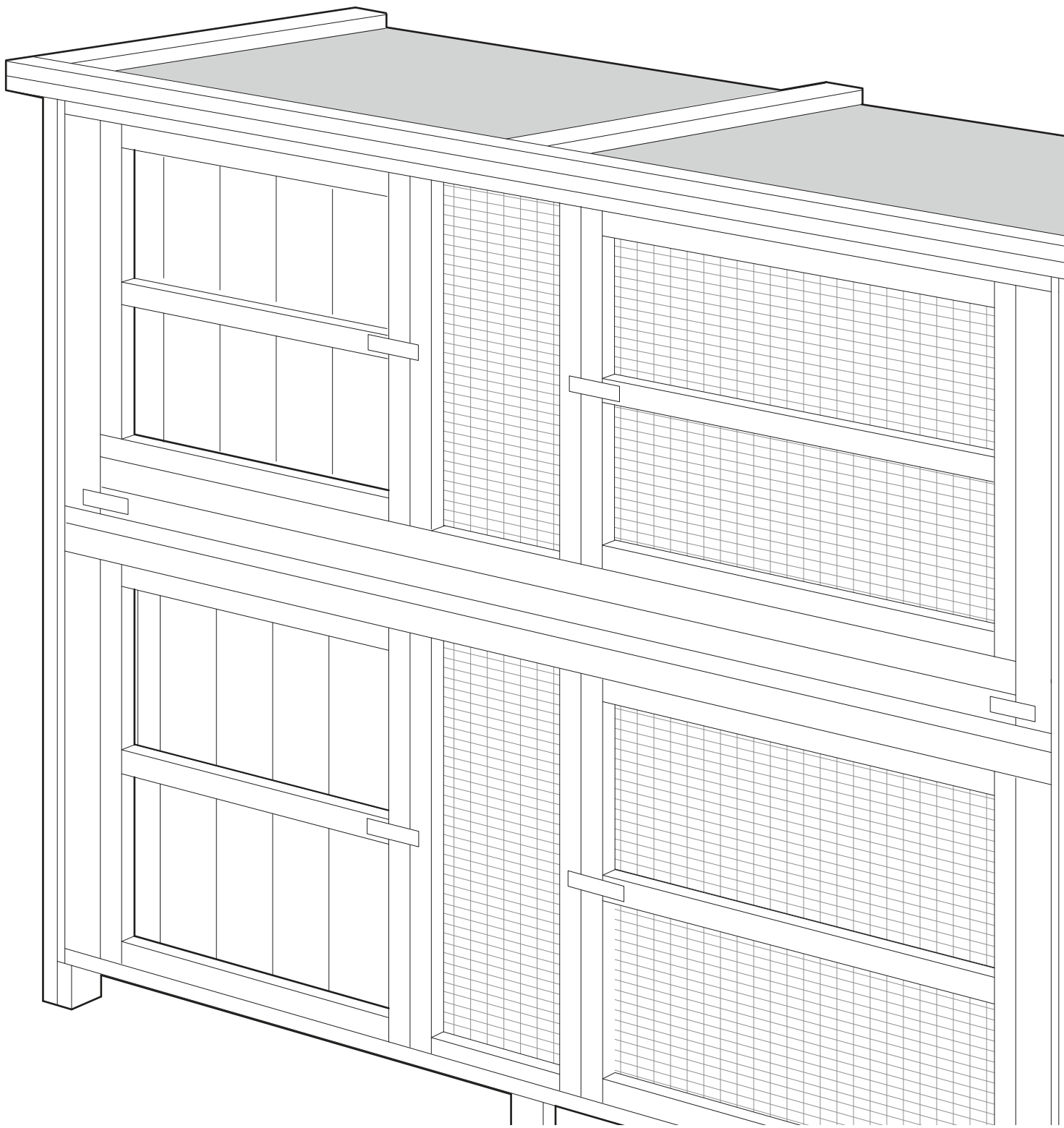


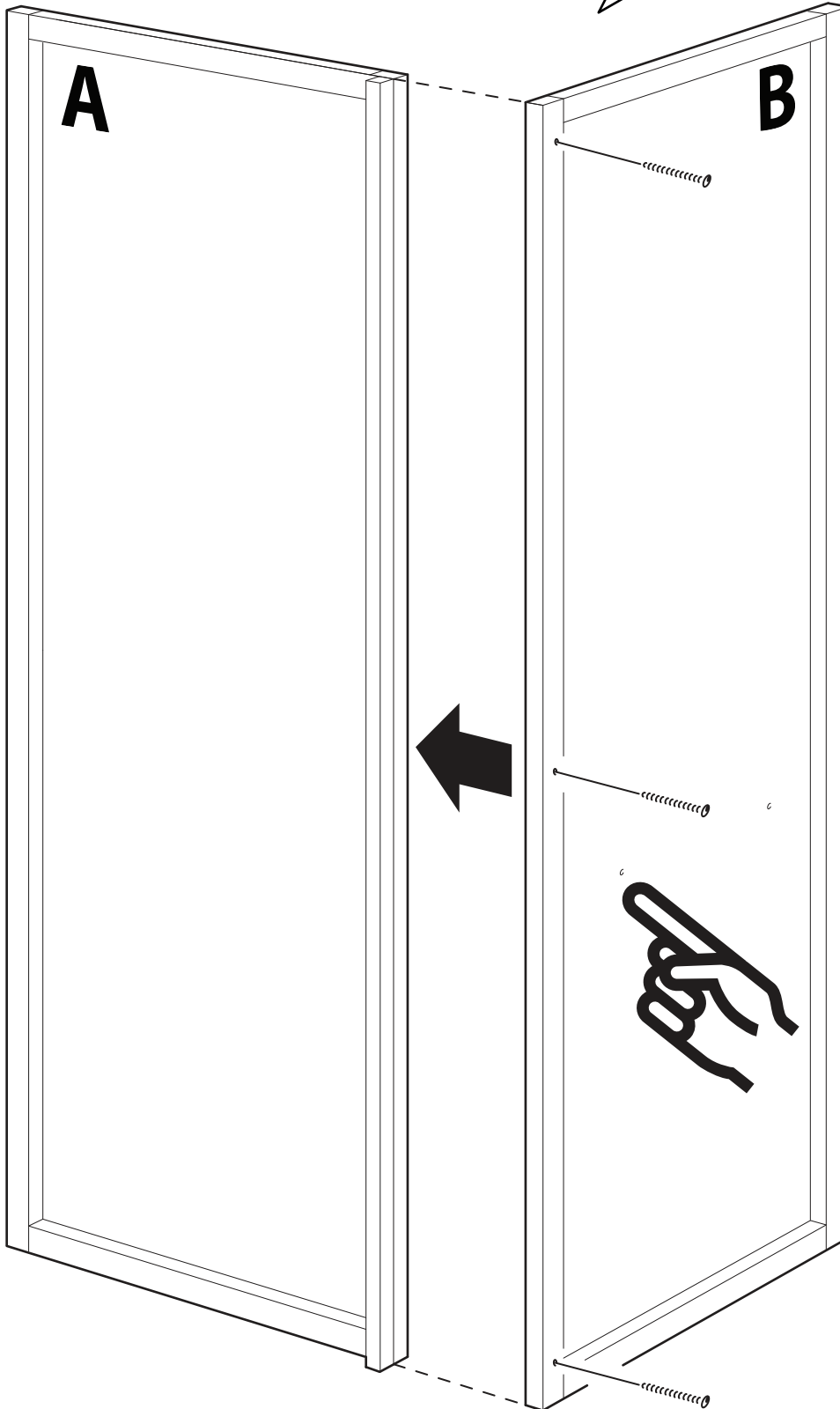
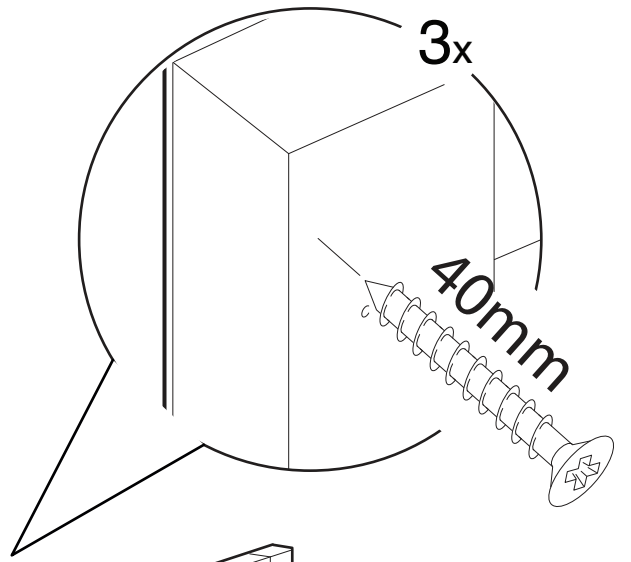
# 4ft Chartwell

## 2Tier

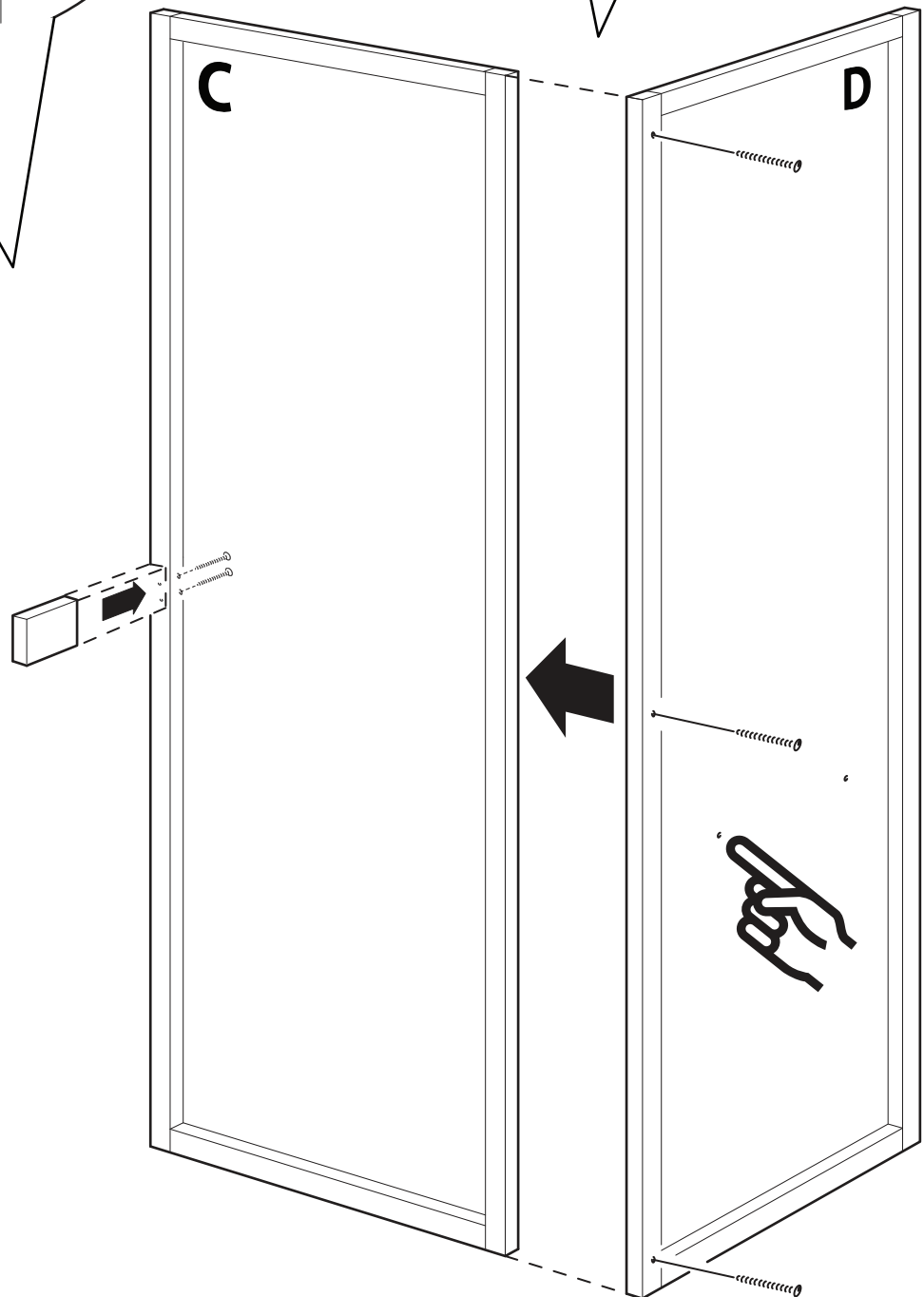
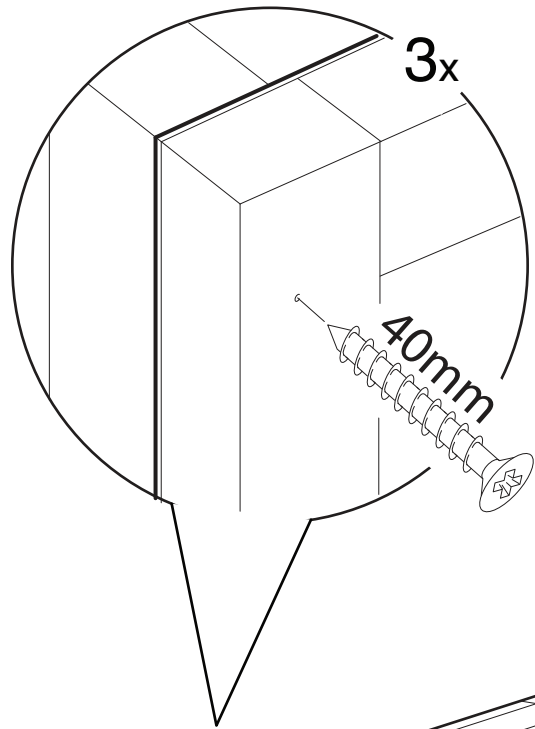
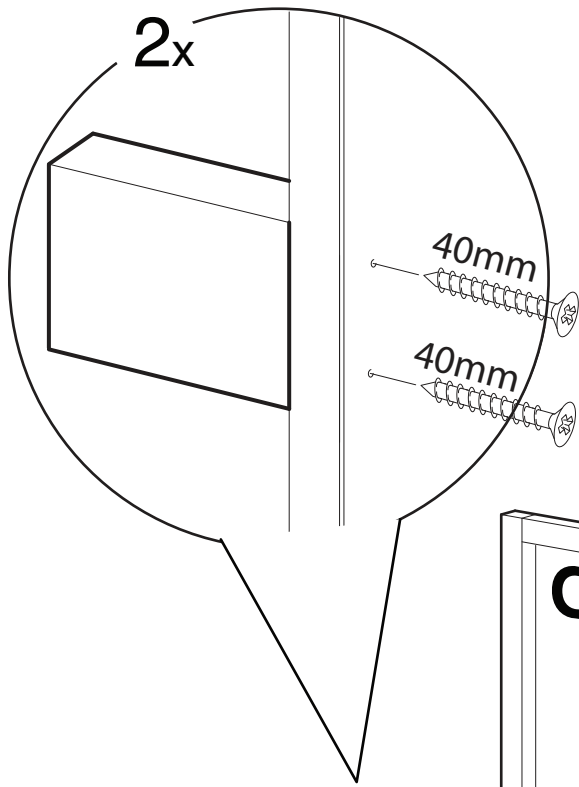
### Assembly Instructions



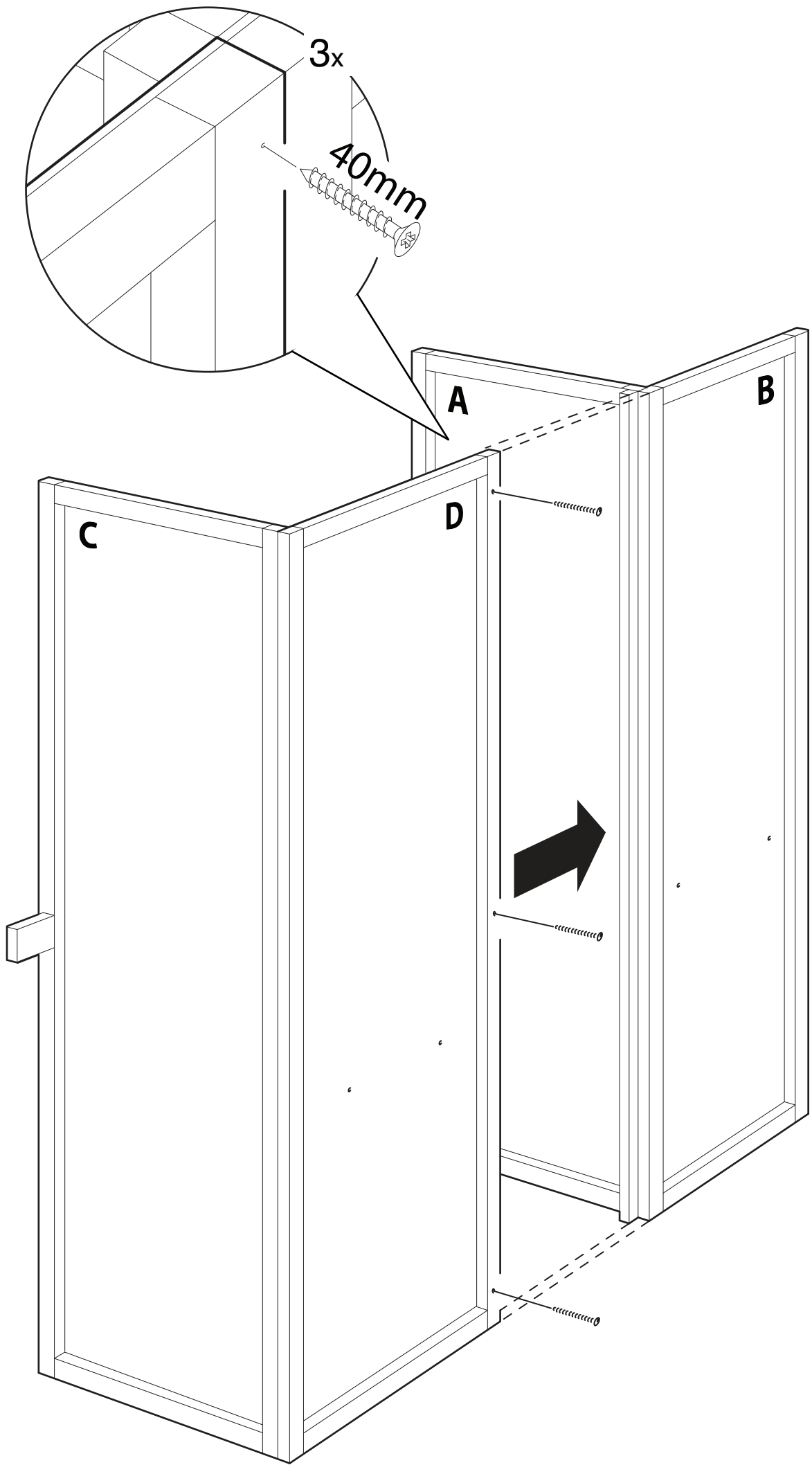
1



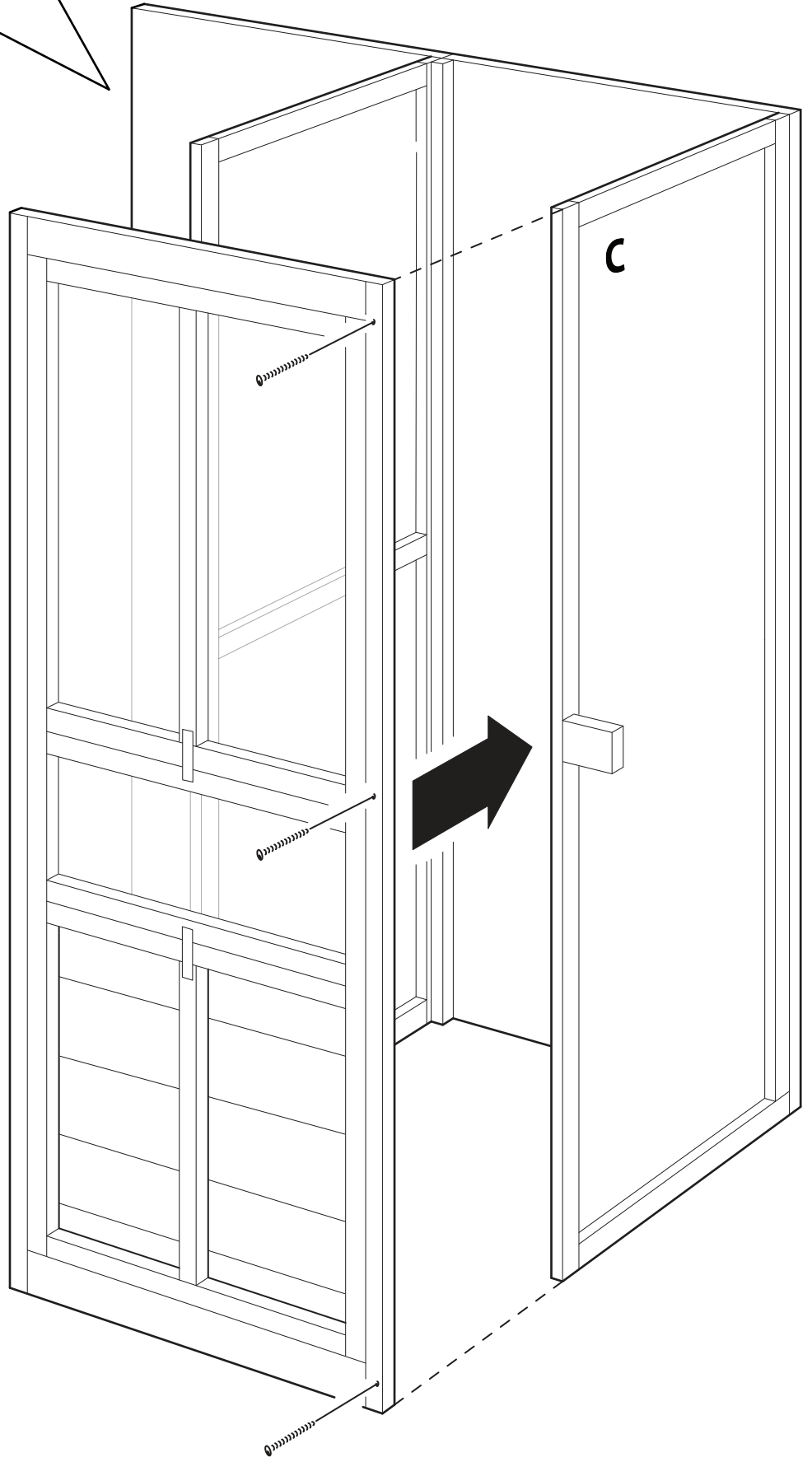
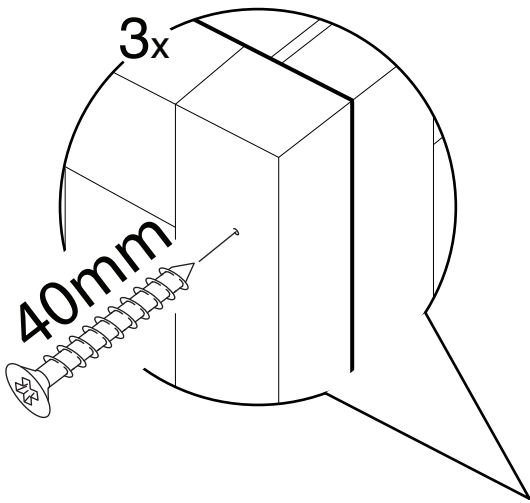
2



**3**



4

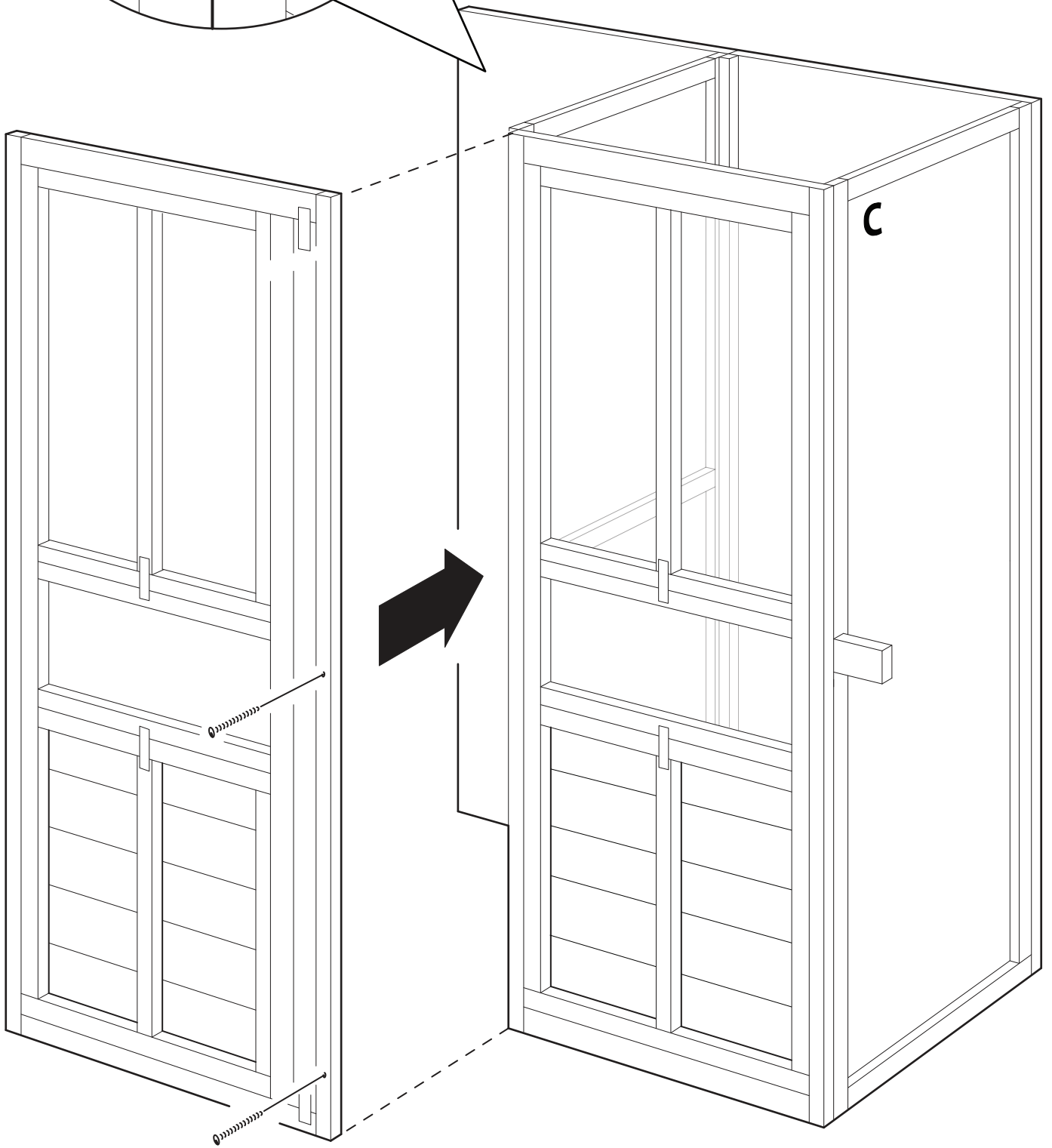


5

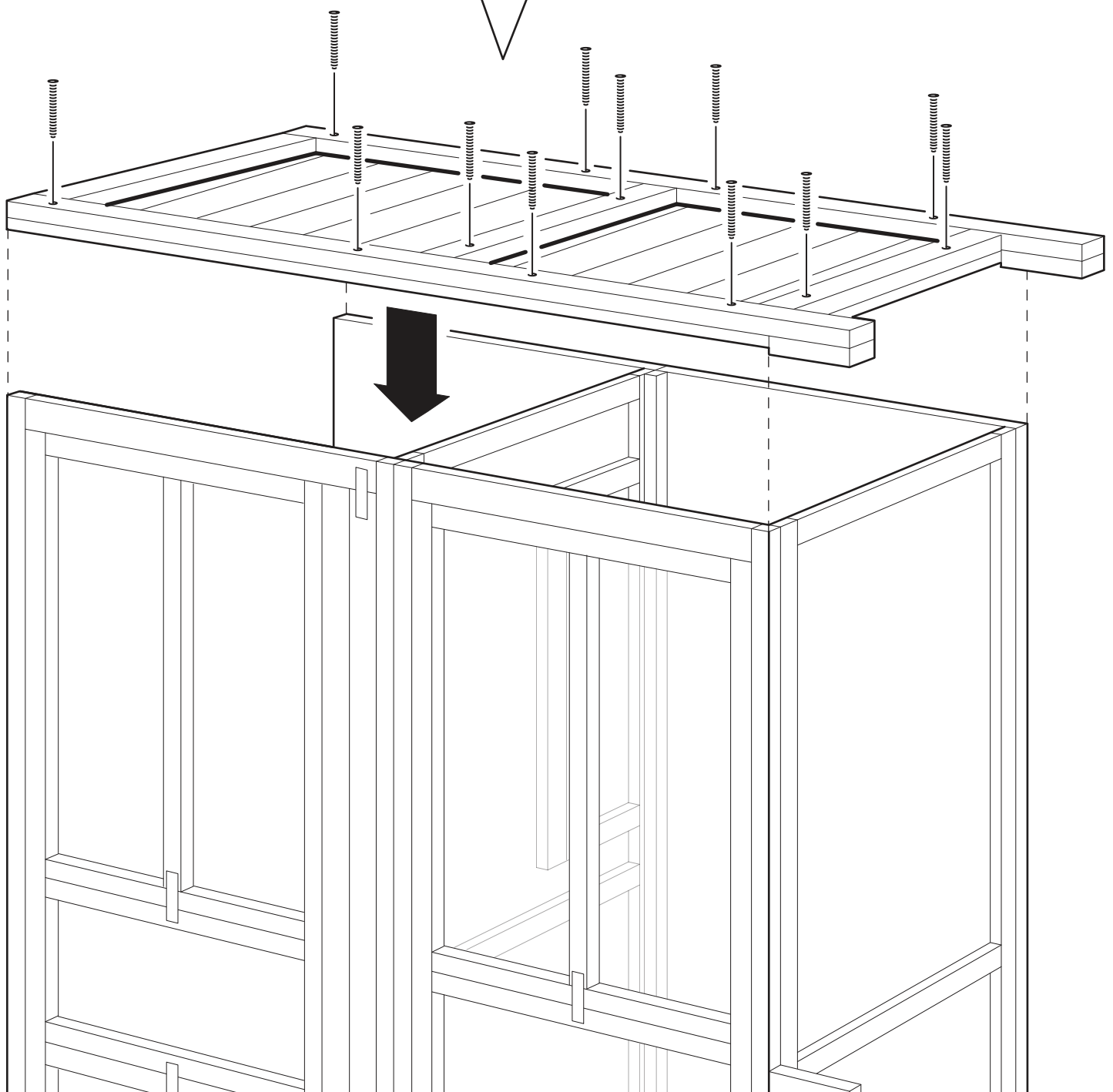
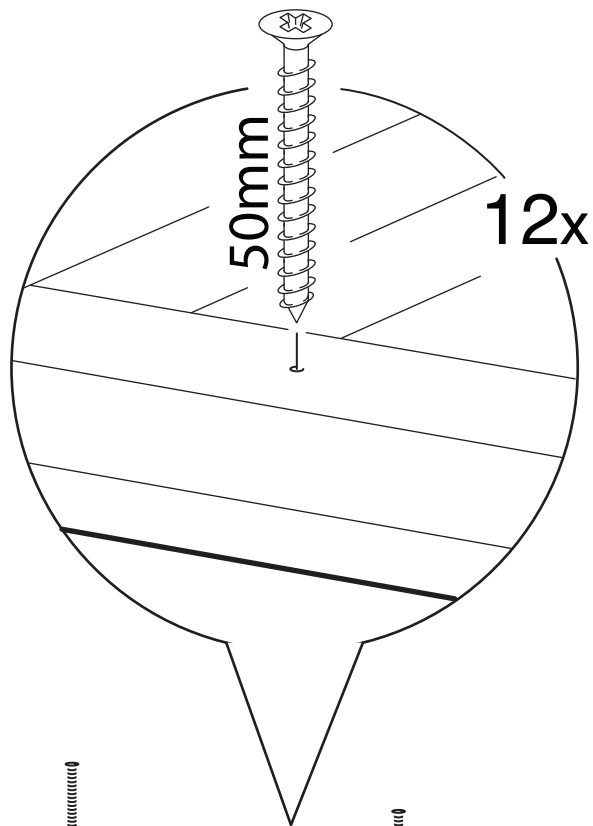
3x

40mm

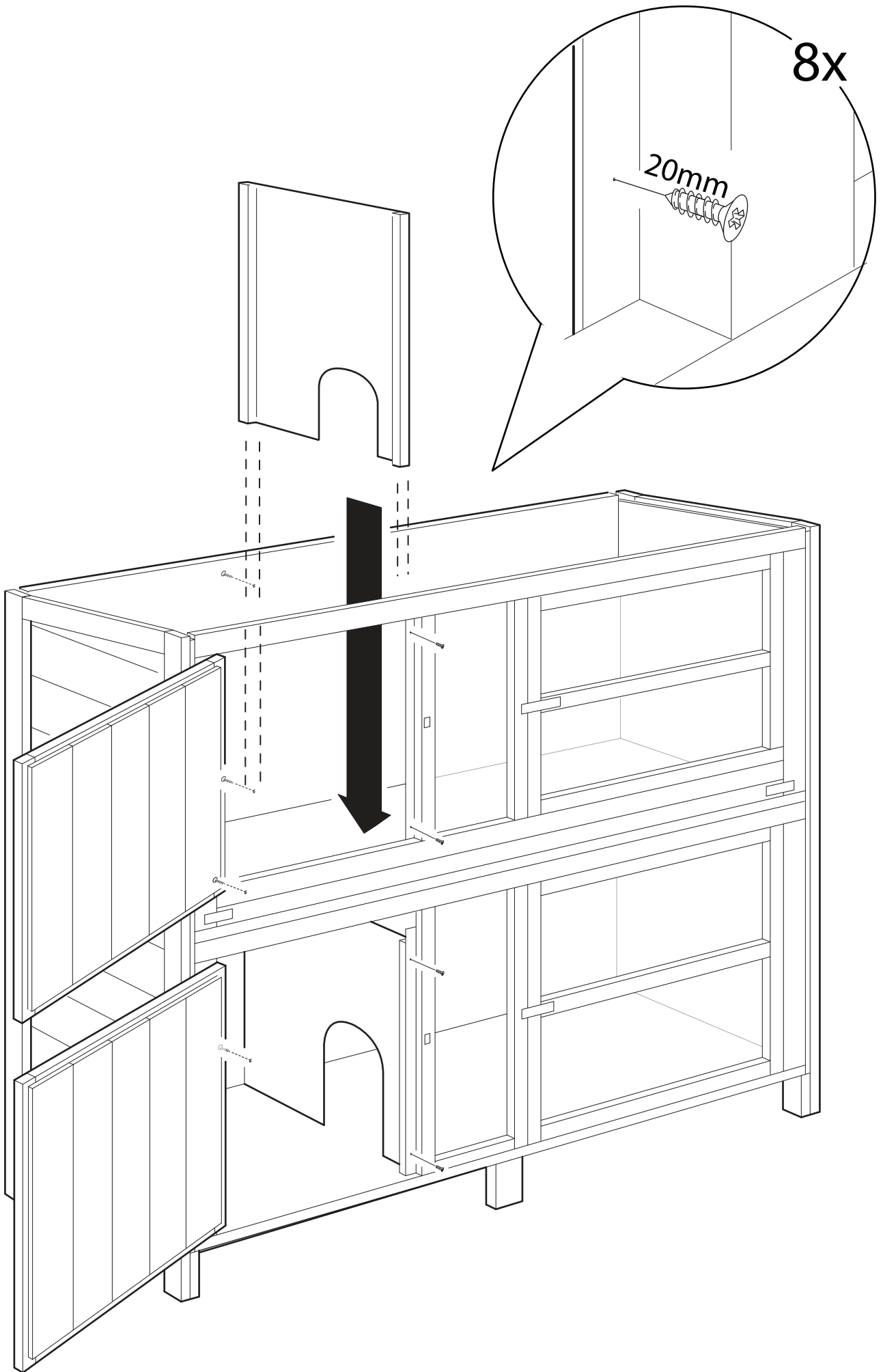
C



6



8



# 10

