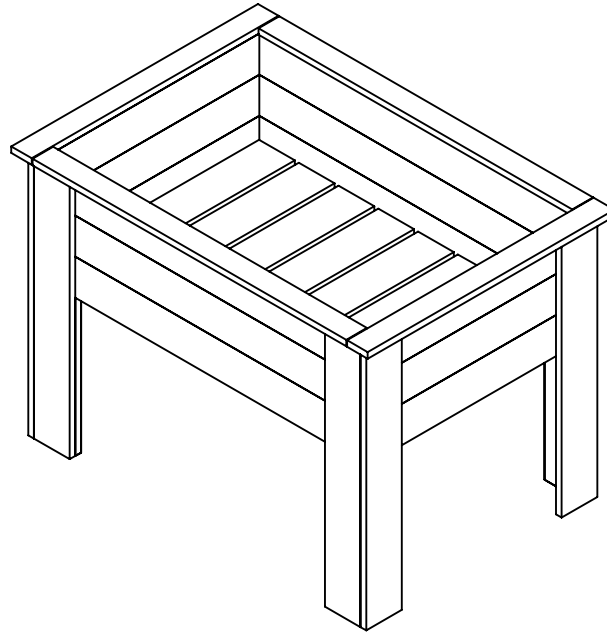


Kitchen Garden Planter 1mt

Product code:ESDXL21PT051

Assembly instruction

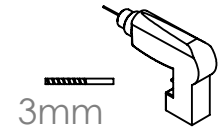


For assistance please contact customer care on : **01636880514**

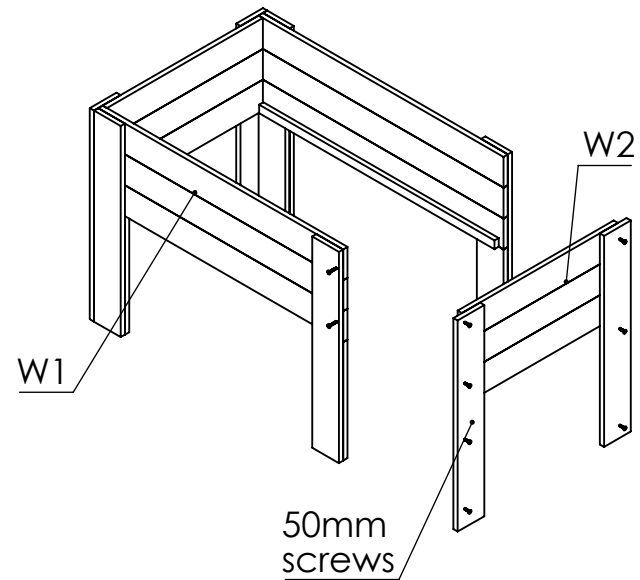
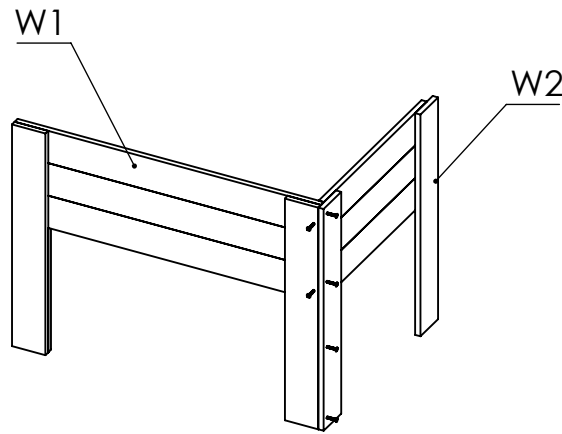
Mercia Garden Products Limited
Sutton on Trent,
Newark,
Nottinghamshire,
NG23 6QN

WWW.merciagardenproducts.co.uk

NB! Drill the pilot holes for the screws



40mm screws	22
50mm screws	24



W1		2
W2		2
F		1
1		2
2		2

