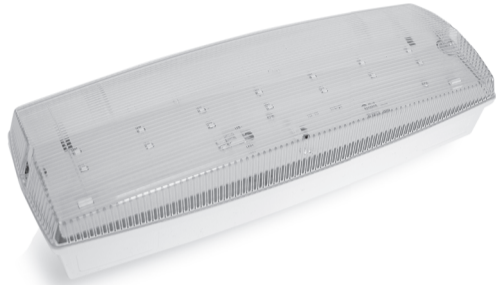


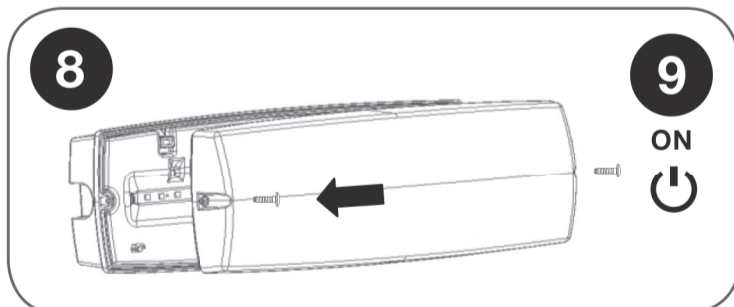
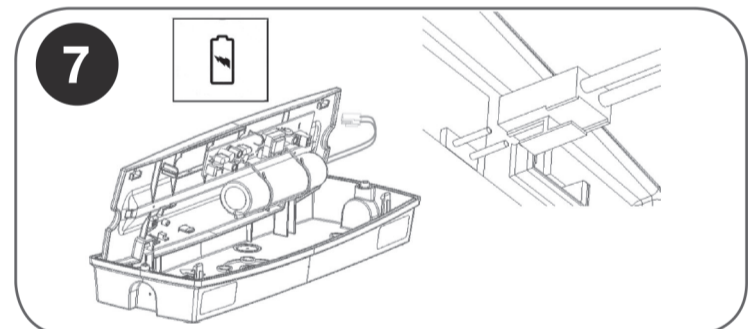
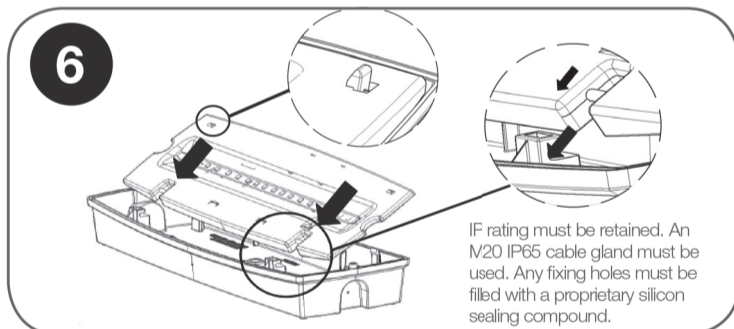
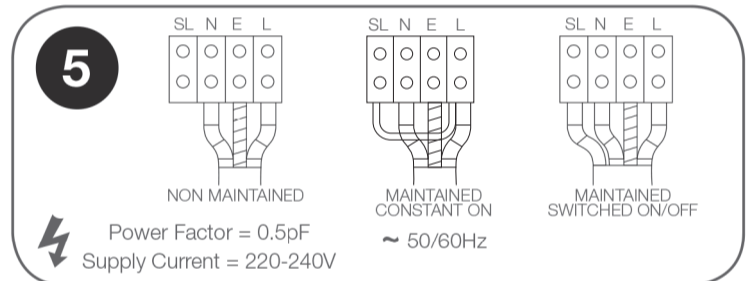
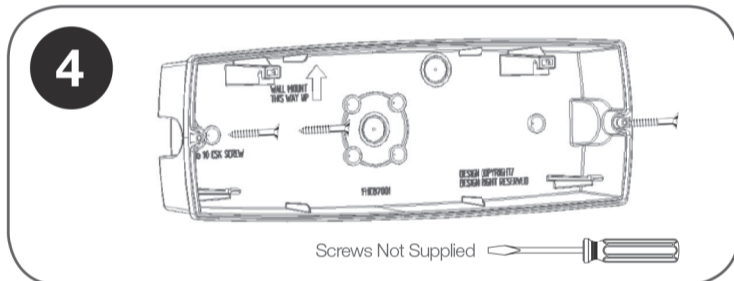
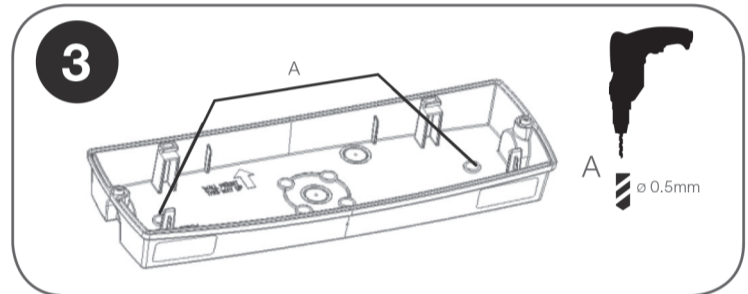
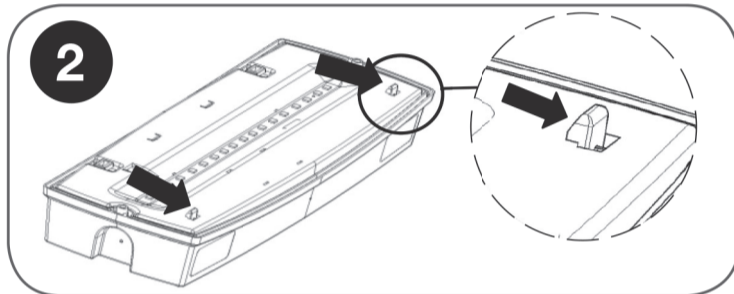
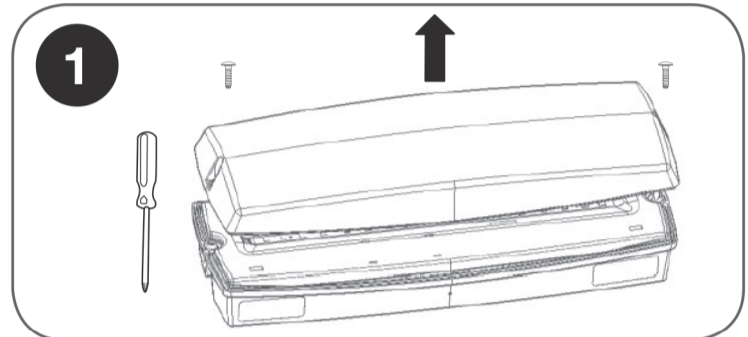
FHBL559-W-CL-EM
SIZE: 210 X 297 MM
JOB NO.: V-056C-19
DATE: JAN 14, 2021



Installation Instructions - Exodus LED Emergency Bulkhead



The light source contained in this luminaire shall only be replaced by the manufacturer or his service agent or a similar qualified person.



X	0	**E**	180	Non-Maintained
X	1	**E**	180	Maintained
X	0	**E*G	180	Non-Maintained with Legend
X	1	**E*G	180	Maintained with Legend

Apply correct supplied label to unit

	EXODUS LED	Circuit Breaker Type	No. of Products
Part Ref	FHBL559	C10	50
Lumen output (lm)	100	C13	65
System Power Consumption (W)	5	C16	80
Colour Temperature (K)	4000	C20	100
CRI (Ra)	>80	B10	30
Life (Hours)	50,000 (L70)	B13	39
Weight (kg)	1.1	B16	48
Dimensions (mm)	355 x 82 x 124	B20	60

SUITABLE FOR LOOPING IN



For more Information call +44 (0)1420 470 400 email lighting@fernhoward.com or visit www.fernhoward.com

Fern-Howard Ltd. 1 Featherstone Rd, Wolverton Mill, Wolverton, Milton Keynes MK12 5TH

FHL457 | ISSUE 9 | JAN2021

It is the responsibility of the installer to ensure correct installation. Fern-Howard do not accept any loss or damage to the product, private property and/or persons due to inadequate or incorrect installation. Fern-Howard reserve the right to alter the specifications and/or improve products without prior notice.