

UNIVERSAL MULTI WATTAGE TRI COLOUR LED GEAR TRAY



A one-component LED gear tray that allows you to upgrade existing bulkheads, adding new functions and improving energy-efficiency in less than 60 seconds.

Credit to the new invented 4-way fit system, this universal gear tray is compatible with Fern Howard's round bulkheads and a wide range of bulkheads on the market.

up to 170 lm/w	50,000 Hours L80	85 CRI (Ra)	2700K 4000K 6500K Colour Temperature
-----------------------------	-------------------------------	-----------------------	---

FEATURES

- NEW FEATURES** Highest efficacy in the market* - help saving energy and maintenance costs as well as reducing CO2 emissions
- NEW FEATURES** New invented 4-way fit system - compatible with most of the branded round bulkheads in the market.
- NEW FEATURES** Selectable wattage: 14W / 15W / 17W / 19W
- NEW FEATURES** Selectable colour temperature: 2700K / 4000K / 6500K
- NEW FEATURES** High quality LED chips and integrated LED Driver
- Long life span - 50,000 hours (L80)
- Available with all standard light management options



REUSE & UPGRADE

Gear tray functions within the following branded round bulkheads:

• FernHoward

Icebreaker / Drake / Alleycat Round / Galileo

- **ANSELL:**
Disco LED/ Disco Slim/ Disco Slim CCT
 - **JCC:**
Radia RapidLED Rapid 12W / 16W / 24W
 - **KSR:**
Roma Surface Bulkhead 12W
 - **ROBUS:**
Golf Bulkhead 10W / 15W
 - **RED ARROW:**
Polo 14W
- and many more.



*Based on in-house market research, August 2022

UNIVERSAL MULTI WATTAGE TRI COLOUR LED GEAR TRAY



DIP switch for wattage selection



DIP switch for colour temperature selection



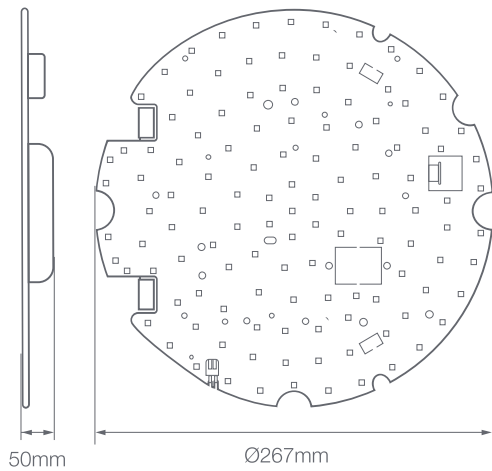
TECHNICAL INFORMATION

Dimensions:

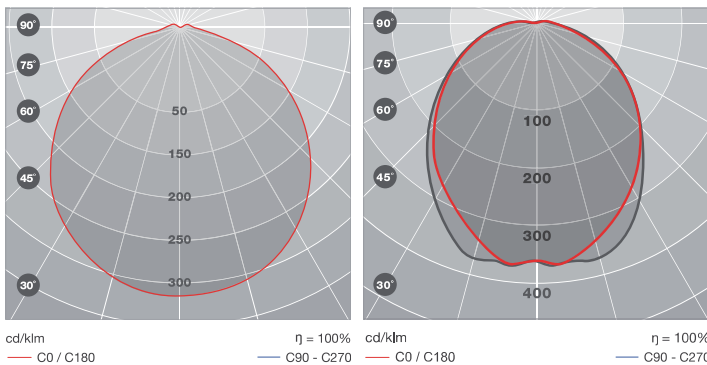
Ø267 x 50mm

Weight:

0.2kg



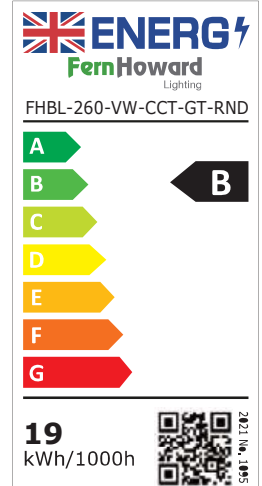
LIGHT DISTRIBUTION



Download:

Photometric files at www.fernhoward.com/resource

STANDARDS



UNIVERSAL MULTI WATTAGE TRI COLOUR LED GEAR TRAY

ORDERING GUIDE

Standard Product Code	Light Management Options Suffix*							Performance Data		
	DALI	Dimming (1-10V or Switch DIM)	Photocell	3hr Emergency	Self-Test	DALI Emergency	Microwave Sensor (Corridor function optional)**	Lumen Output lm (4000K)	Wattage W	Efficacy lm/W
MULTI WATTAGE TRI COLOUR GEAR TRAY										
FHBL-260-VW-CCT-GT-RND	DA	DIM	PH	EM	AT	DAEM	MS	2,380	14	170
								2,535	15	169
								2,822	17	166
								3,116	19	164

FHBL-260-VW-CCT-GT-RND - EM

Lumen Output in EM:
Clear diffuser - 220lm
Opal diffuser - 150lm

Example Code: Universal Multi Wattage Tri-Colour LED Gear tray, Emergency

*Most combinations are possible except the following:

- DA & DIM – Dimming and DALI cannot be combined
- AT & EM – AT represents Self-Test Emergency configuration
- DA = DALI on Mains Driver only, DAEM = DALI on Emergency Driver only
DA and DAEM can be combined
- Light output shown as LED geartray data, luminaire data will vary depending on luminaire and diffuser type

**Corridor Function (CF) is integrated with MS and can be turned off

up to 170 lm/w	50,000 Hours L80	85 CRI (Ra)	2700K 4000K 6500K Colour Temperature
-----------------------------	-------------------------------	-----------------------	---