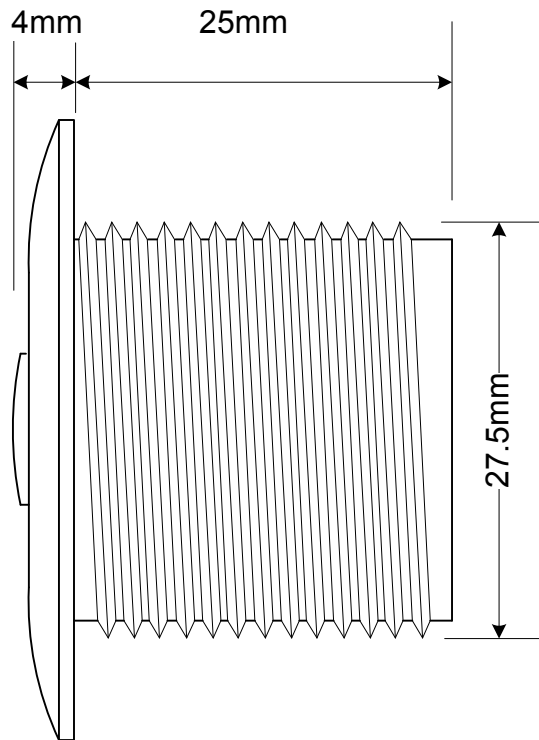
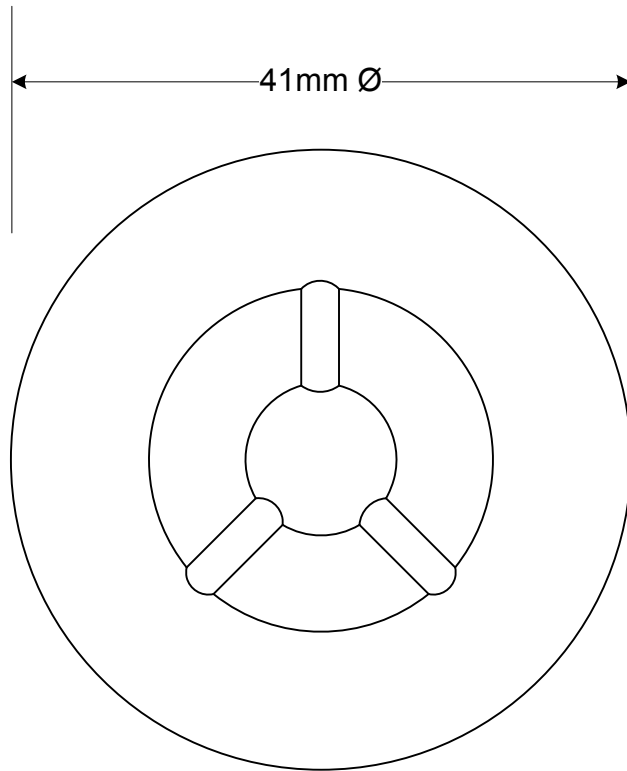


Code:

S/GRID-25PB-CP



© McALPINE
14/09/11

Drawing verified
correct as of:

DRAWN BY
ELLEN McLELLAN
CHROME PLATED

REVISED
SCALE
2: 1

FILENAME
S~GRID-25PB-CP.VSD
DATE
14.09.11