

AUGUST®

User Manual

DTA240

AUGUST®

August International Ltd
Rawmec Business Park
Hoddesdon EN11 0EE
United Kingdom
T: +44(0) 845 250 0586
(Carrier Rates Apply)
E: service@augustint.com

EU Distributor:
Daffodil Germany GmbH
Bayernstr. 10
D-30855 Langenhagen
Germany
T: +49 (0) 511 97812978

www.augustint.com



Digital TV Antenna

User Manual

Thank you for purchasing this August product. You may already be familiar with using similar products but please take the time to read these instructions carefully. They are designed to familiarise you with the product's many features and to ensure that you get the very best from your purchase.

Safety

Please read the Safety Instructions before using this product to ensure your safety and the safety of others.

Disposal

Please ensure the product and its accessories are disposed in compliance with WEEE (Waste Electrical and Electronic Equipment) Directive and any other applicable regulations. Please check with your local authority for current disposal regulations.

Declaration of Conformity

The Declaration of Conformity can be found on our website at <http://www.augustint.com/en/declaration/>

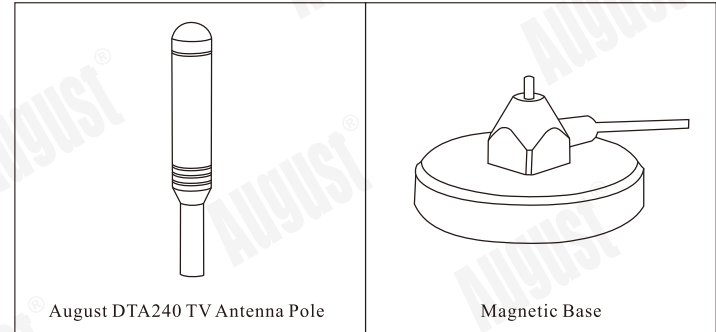
Customer Service

If you need help, please contact our Customer Service:

Telephone: +44 (0) 845 250 0586 (Carrier Rates Apply)

Email: service@augustint.com

1. Box Contents



August DTA240 TV Antenna Pole

Magnetic Base

2. Product Specifications

Working Frequency:	VHF(170-230MHz), UHF(470-860MHz)
Typical Antenna Gain:	3.0 dBi
Polarization:	Vertical
Impedance:	75 Ohm
Connector Type:	IEC Male (Standard Coaxial)
Antenna Cable Length:	2 Metres
Production Dimension:	Height: 130mm
Net Weight:	230g
Operation Temperature	- 30 °C ~ + 85 °C
Storage Temperature	- 30 °C ~ + 85 °C

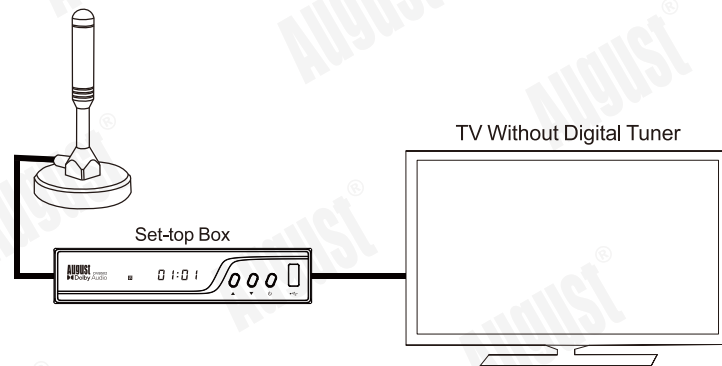
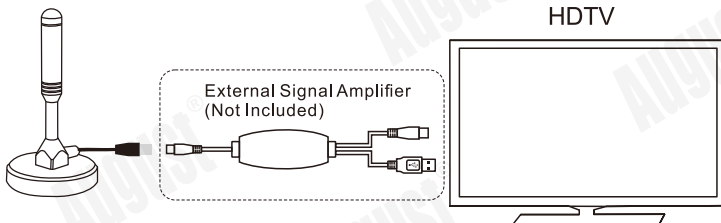
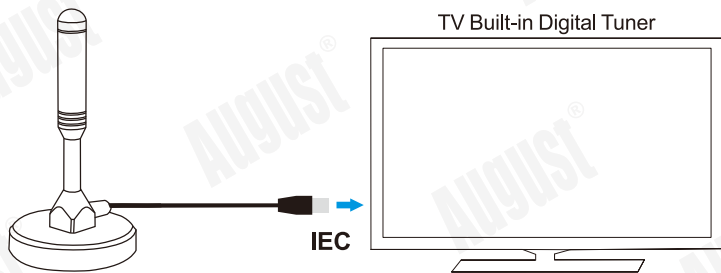
3. Product Features

- Receives Freeview TV (HD), DAB Radio and Analogue TV
- Strong Magnetic Base Operating Environment: Indoor or Outdoor Use
- Compatible with DVB-T / DVB-T2 / Freeview / ATSC / ISDB

4. Quick Start Guide

Step-by-step illustrated instructions:

- Step 1: Connect the antenna's coaxial cable to the "RF IN" port on your TV or set-top box.
- Step 2: Set TV input source to "TV" or "DTV"
- Step 3: Navigate to TV settings > Channel setup > Auto scan



Note: For TV's that require a Set-top box, connect the coaxial cable from the antenna to the ANT/IN or RF IN port in the back of antenna to the tuner box's ANT/IN or RF IN port.

Antenna Placement Tips:

- Place the antenna in an open area, near a window, away from corners or metallic surface, electronic devices like Wi-Fi routers or microwaves.
- Place the antenna in higher elevation for better reception

5. Signal Optimisation Tips

Visuals of common signal blockers:

- Concrete walls, high-rise buildings, bad weather, distance from towers

Best Practices:

- Try multiple placements (Mounting it higher or near a window)
- Changing Antenna orientation
- Re-scan channels after repositioning
- Verify signal source is set to DTV
- Using an antenna amplifier (not included)
- Trying High Gain Antenna August DTA300 (28dBi)
- Check coverage in your area: www.freeview.co.uk/freeview-channel-checker

Note: Due to the nature of the product and we can not guarantee reception due to environmental factors that influence signal capacity that are outside of our control.

For further information regarding this aerial capacity for reception please contact our service support.

6. FAQ & Troubleshooting

Issue	Possible Cause	Solution
No signal after connection	TV not set to DTV mode or not DVB-T2 compatible	Switch to "DTV" mode or use external digital tuner
'No Signal' message	Incompatible TV or location too far from signal source	Ensure your TV supports DVB-T/T2; consider high-gain model (e.g. DTA300)
No channels found	Weak signal or poor placement	Reposition the antenna and rescan; try higher placement
Channels lost after moving antenna	Channel scan not repeated	Always rescan channels after repositioning antenna
Channels found but poor quality	Suboptimal antenna placement	Move antenna closer to window or higher elevation
Magnetic base not holding	Defective base or surface type	Contact us for replacement or refund

7. Quick Tips

- Near a window: Walls reduce signal strength; placing the antenna near a window often gives better line of sight to the transmitter.
- High up: Elevation helps. Put the antenna as high as possible, even if it means mounting it on a wall or shelf.
- Away from electronics: Avoid placing it near TVs, routers, computers, or microwaves—they can cause interference.
- Rescan Channels After Every Move: Every time you reposition the antenna, do a channel scan on your TV or receiver.
- Use a Signal Amplifier (if needed): In some cases, you may need an external amplifier (not included). This can boost weak signals but can also overload strong ones, especially if you're close to a transmitter. Try with and without the amp to see what works best in your location.

8. Warranty

This product is guaranteed for twelve months from the date of the original purchase. In the unlikely event of any defect arising due to faulty materials or workmanship, the unit will be either replaced or repaired free of charge (where possible) during this period. An alternative product will be offered in case the product is no longer available or repairable.

This warranty is subject to the following conditions:

- The warranty is only valid within the country where the product is purchased
- The product must be correctly installed and operated in accordance with the instructions given in the user's manual.
- The product must be used solely for domestic purposes.
- The warranty only covers the main unit, and does not cover the accessories.
- The warranty does not cover the damage caused by misuse, negligence, accident and natural disaster.
- The warranty will be rendered invalid if the product is resold or has been damaged by inexpert repairs. The manufacturer disclaims any liability for incidental or consequential damages.
- Please consult our customer service before returning any product; we are not responsible for any unexpected product returns.
- Any faulty products must be kept and returned in the original packaging with all the accessories and the original copy of the purchase receipt.

The warranty is in addition to, and does not diminish, your statutory or legal rights.

Customer Support Details

If you require help with your product, please contact us

Email: service@augustint.com

Telephone: +44 (0) 8452 500 586 (Carrier Rates Apply)

Emails will be responded to within 48 hours

Telephone calls are received between 9am and 5pm on weekdays

This product is in compliance with the essential requirements and other relevant provisions of Directive 2014/53/EU. The Declaration of conformity may be consulted online at <http://www.augustint.com/en/declaration>.

