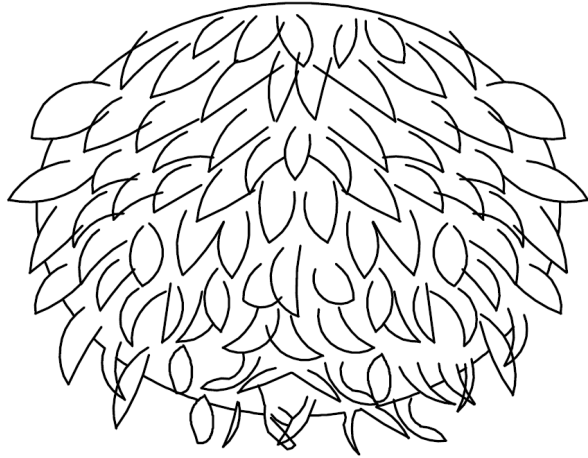


700392
700393
700394

the
lighting
collection

ASSEMBLY INSTRUCTIONS



ASSEMBLY

- No Assembly required.

SET UP

- Turn the electricity supply OFF.

1. Remove the skirt / shade ring from your existing lamp-holder .
2. Fit the shade gimbal over the threaded section of the lamp holder, whilst supporting the shade.

If your lamp holder is ES (Edison screw) type remove the plastic lamp holder adapter from the lamp holder ring in the centre of the pendant or shade frame (DIA.2). If your lamp holder is BC (Bayonet cap) type then you do not need to remove the plastic lamp holder adapter.

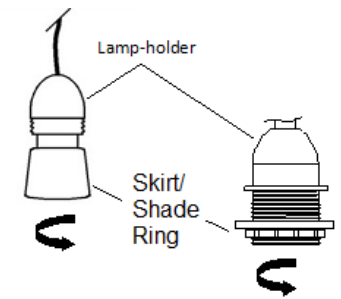
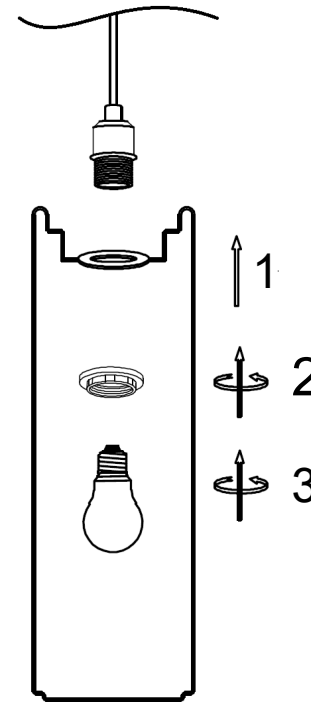
4. Re-fit the skirt / shade ring to the lamp holder and ensure it securely holds the shade gimbal.
5. Insert the bulb into the lamp-holder as stated on the pendant, or shade. (Never exceed the recommended wattage indicated on the product. Always dispose of bulbs carefully).
6. Fit the feather shade over the pre-fixed gimbal.

- Turn the electricity supply ON

SAFETY

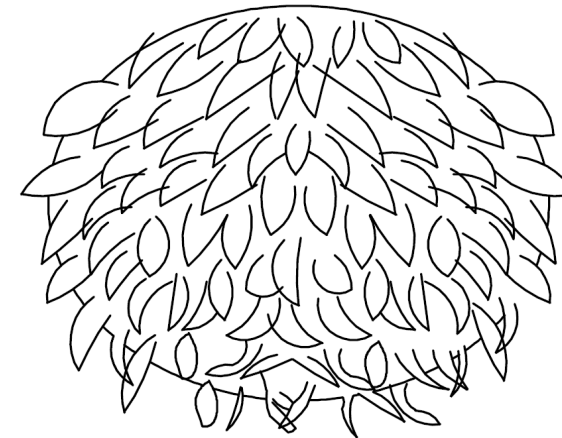
- Before inserting or replacing bulbs make sure that the light is switched off and has cooled down.
- Dust with a soft dry cloth.

DIA. 1



DIA. 2

Reducer for 29mm lamp-holder



↑ 4



Indoor Use Only

Domestic Use Only

Q.C

APPROVED
04/01/2018
ISSUE 1