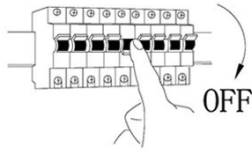


701137  
701139  
701140

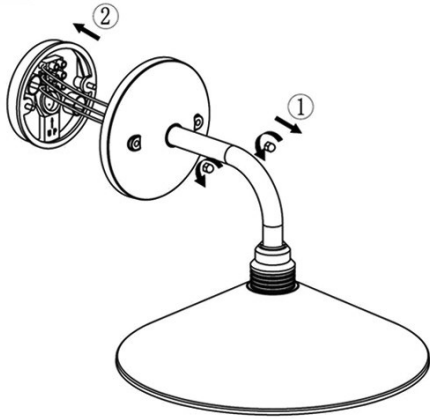
the lighting collection

ASSEMBLY INSTRUCTIONS

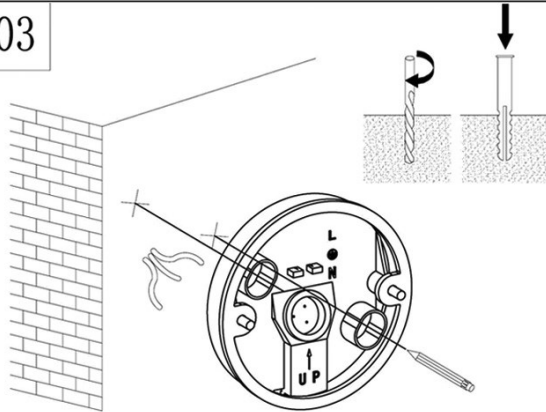
01



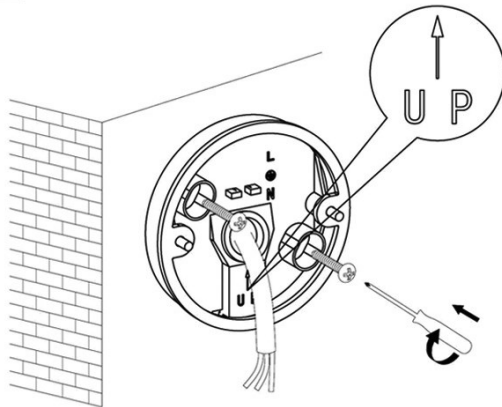
02



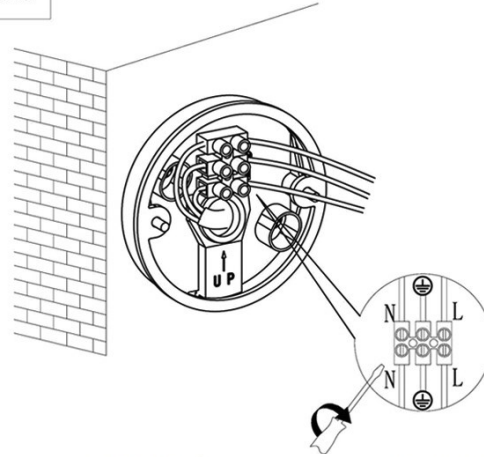
03



04



05

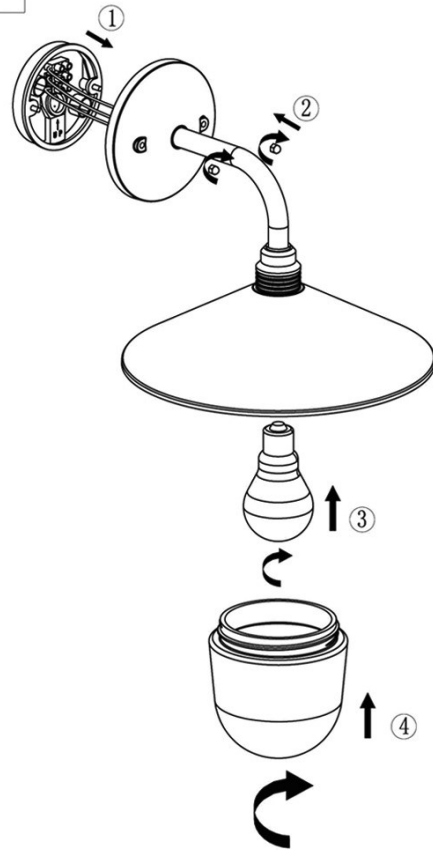


**MAINS SUPPLY**

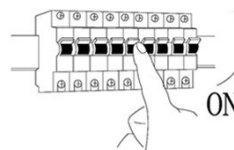
**LIGHT FITTING**

LIVE - Possible colours : Red or Brown ———— L  
EARTH - Un sleeved copper or (Green / Yellow) ———— E  
NEUTRAL - Possible colours : Black or Blue ———— N

06



07



Q.C APPROVED  
09/09/2021  
ISSUE 1

IP44



CE UK CA

