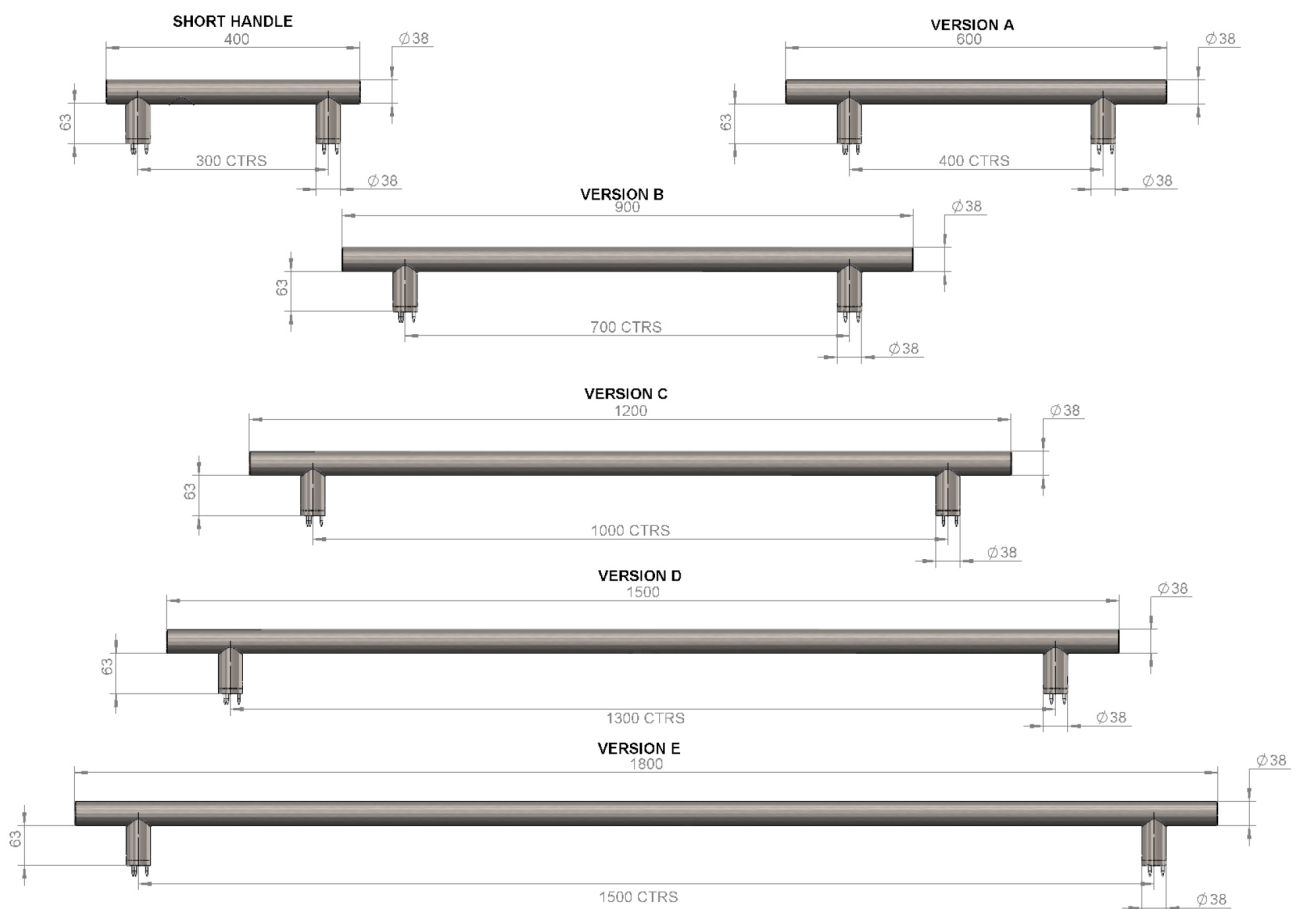


# STRAIGHT PULL HANDLES FITTING INSTRUCTION



## Size

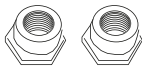
400mm Straight Pull Handle - Satin Stainless Steel - Includes Fixings  
 600mm Straight Pull Handle - Satin Stainless Steel - Includes Fixings  
 900mm Straight Pull Handle - Satin Stainless Steel - Includes Fixings  
 1200mm Straight Pull Handle - Satin Stainless Steel - Includes Fixings  
 1500mm Straight Pull Handle - Satin Stainless Steel - Includes Fixings  
 1800mm Straight Pull Handle - Satin Stainless Steel - Includes Fixings

## Code

PH400S-SSS  
 PH600S-SSS  
 PH900S-SSS  
 PH1200S-SSS  
 PH1500S-SSS  
 PH1800S-SSS

**BOLT THROUGH FIXING**  
(ONE SIDE ONLY)

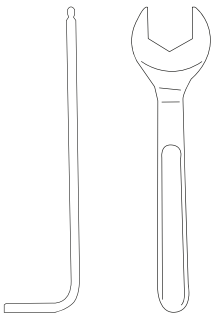
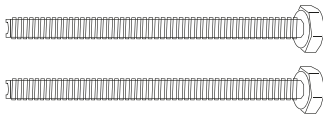
**FITTING B**



**CAPS**



**BOLTS**



**Method 2:**  
**BOLT THROUGH FIXING**  
- ONE SIDE ONLY

1) Suitably line the holes up to where the handle will be fitted on the door making sure it is straight (Refer to page 1, tech sheet, for centres) and make 2 holes in the door where you have marked.

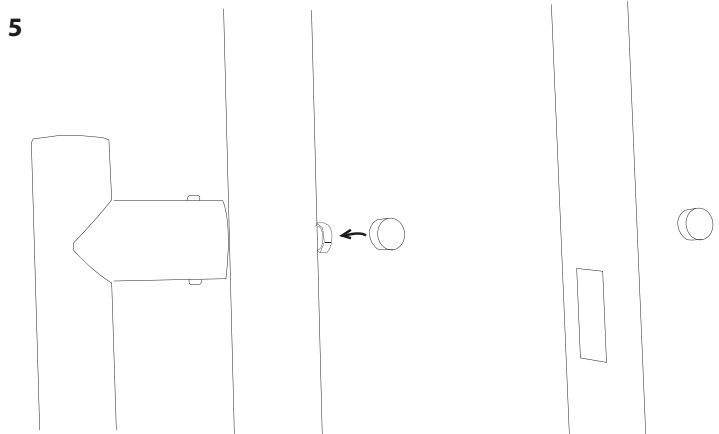
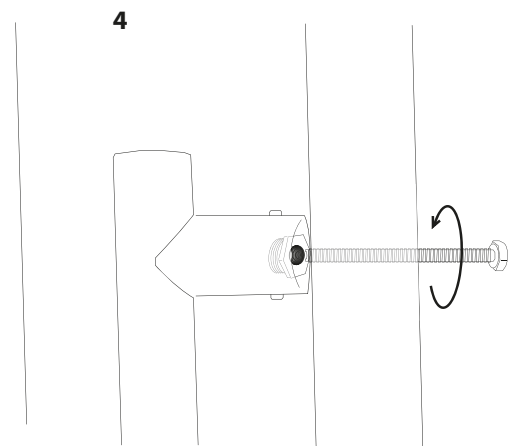
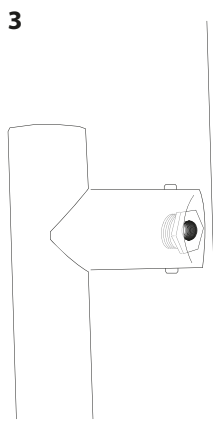
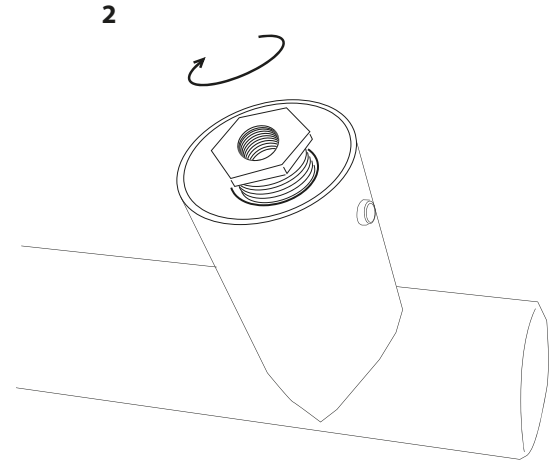
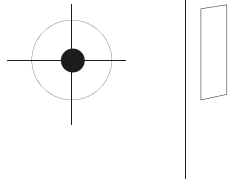
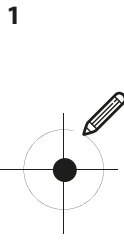
2) Take 'fitting B' and screw it into the handle, both at the top and the bottom (as shown in diagram 3.)

3) Place it in position on the door, so that each 'fitting B' lines up with the holes.

4) Take 2x bolts and from the other side of the door put 1 through the hole at the top into 'fitting 2' and screw it in tightly. Do the same at the bottom.

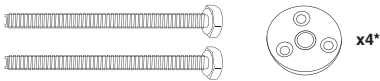
5) Put the cap on the bolt at the back of the door.

6) Screw the grub screws up tightly to secure the fitting.

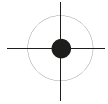
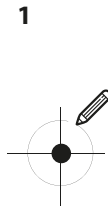
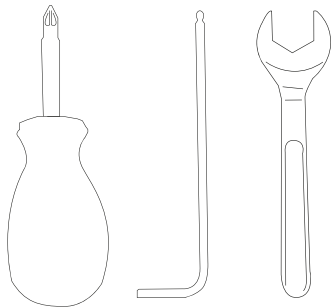


# BACK TO BACK FIXING

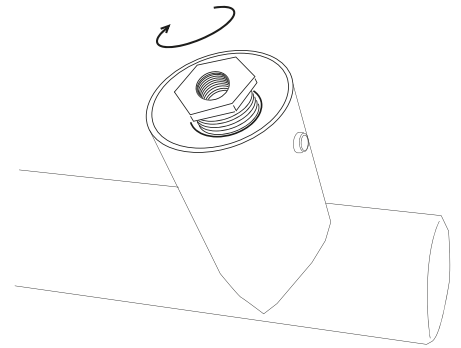
**FITTING A**



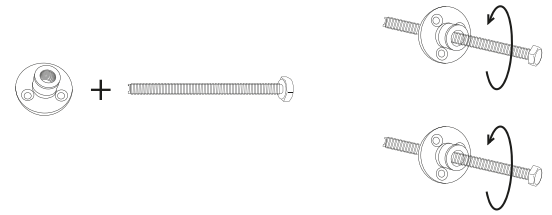
**FITTING B**



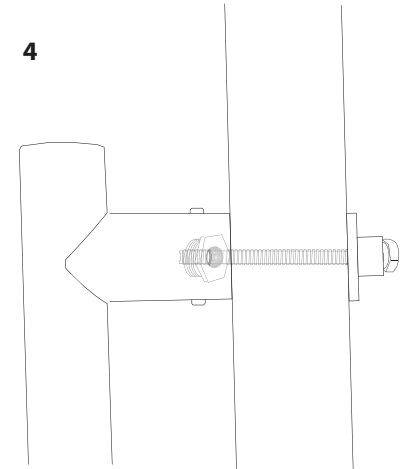
2



3



4



**Method 3: BACK TO BACK**

1) Suitably line the holes up to where the handle will be fitted on the door making sure it is straight (refer to page 1, tech sheet, for centres) and make 2 holes in the door where you have marked.

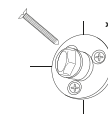
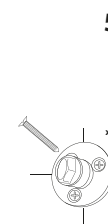
2) Take 'fitting B' and screw it into 1 of the handles at both the top and the bottom (as shown in diagram 2.) NOTE: This handle will be used on the external side of the door.

3) Take the 2x bolts and screw them into 'fitting A' all the way (as shown in diagram 3.)

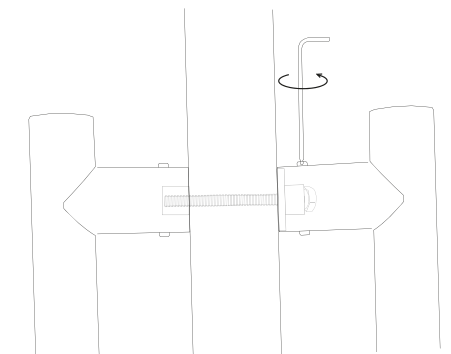
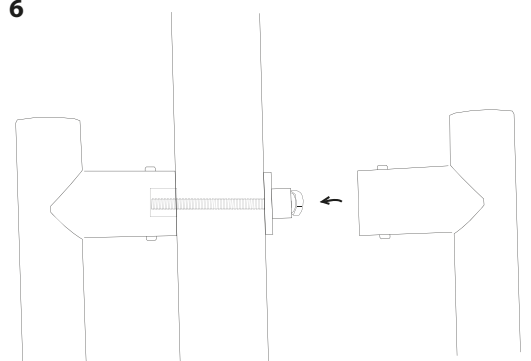
4) Line the external handle up with the holes and screw the bolts into 'fitting B' by inserting them through each hole, from the other side of the door.

5) Screw 'fitting A' to the door at both the top and the bottom using 3 screws in each, securing the fitting to the back of the door.

6) Put the second handle on the back of the door onto each 'fitting A'. Tighten the grub screws to secure.



6

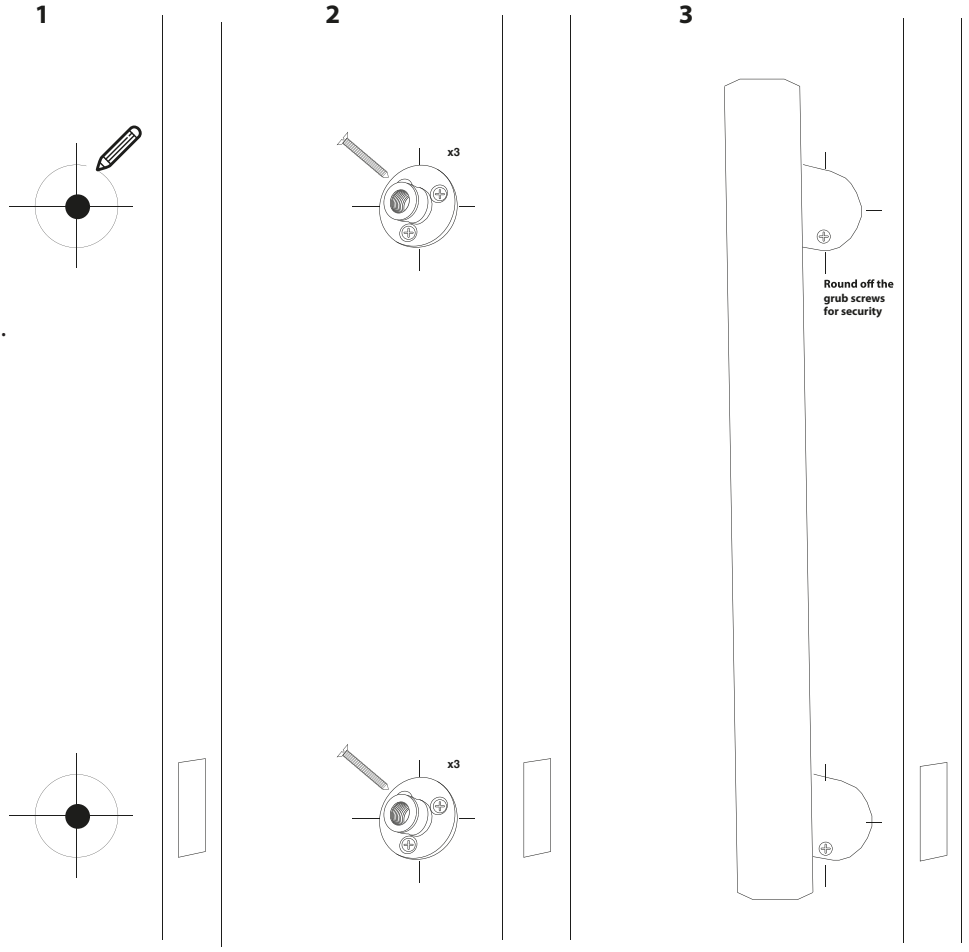
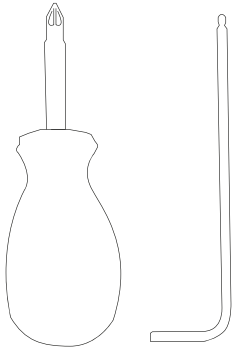
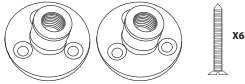


\* For Glass Fittings

## HIDDEN FIX (ONE SIDE ONLY)

Only recommended for solid door types.

### FITTING A



### Method 1: HIDDENFIX - ONE SIDE ONLY

1) Suitably line the holes up to where the handle will be fitted on the door, making sure it is straight. (Refer to page 1, tech sheet, for centres)

2) Using the 3 screws provided, screw 'fitting A' to the door where you have marked, one on the top marking and one on the bottom. Make sure it is secure.

3) Simply fix the handle onto the 2 fittings that are now securely on the door

4) Tighten the grub screws at both the top and bottom fixing the handle to 'fitting A'

NOTE: If using this as an external handle, secure it by drilling out the grub screw head

NOTE: We recommend that you use the bolt through option for a longer lasting fixing.

