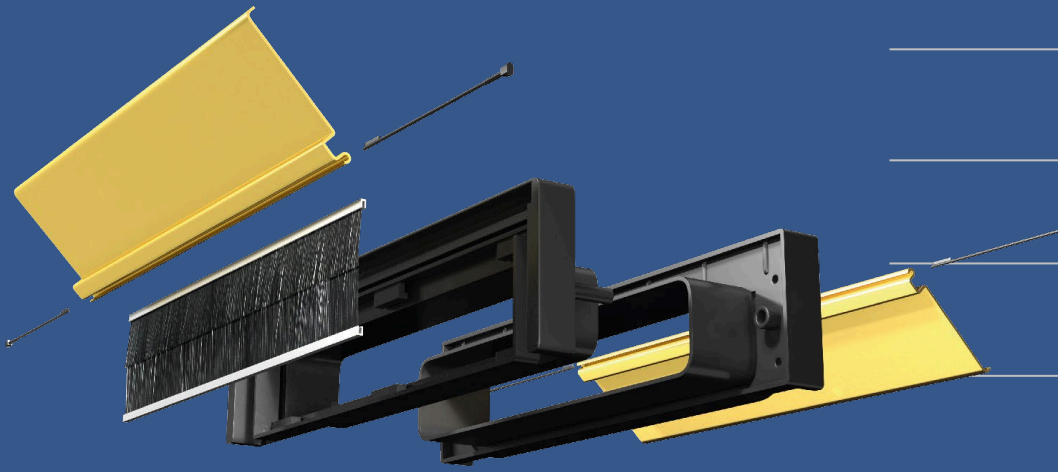


UAP Framemaster 12" Letterplate Letterbox for uPVC, Composite and Wooden Doors - Draught Excluder



Internal water seal prevents post from getting wet

Matt etched frame helps to conceal scratches

180° opening prevent the flap snapping off

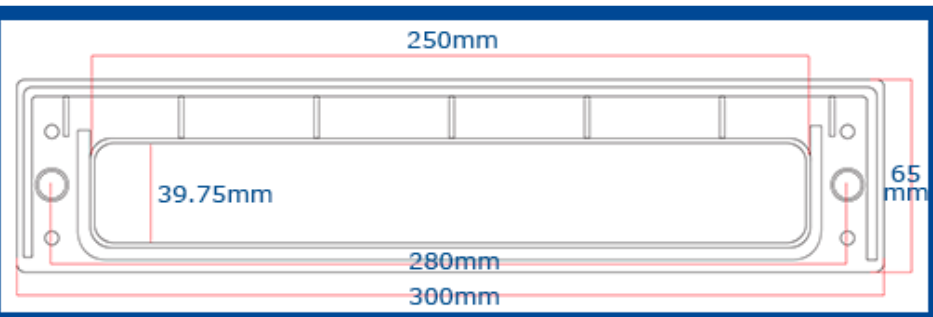
Screw boss to guide screws in
Outward facing, draft proof brushes prevents vandals placing unwanted items into the cavity

- **Universal Fit** - Suitable for uPVC, composite, and wooden doors
- **12-Inch Compact Design** - Ideal replacement for most standard-sized letterboxes.
- **Telescopic Sleeves** - Ensures a secure, easy fit with smooth alignment on both sides.
- **Durable Construction** - Built to meet BS EN 13724:2013 for postal flap standards.
- **High-Strength Springs** - Tested to withstand over 100,000 open/close cycles.
- **Weather-Resistant Finish** - Maintains a clean, modern appearance over time.
- **Hassle-Free Installation** - Includes alignment screws and fixings for quick setup.
- **Ideal for Retrofits** - Perfect solution for updating worn-out or broken letterplates.

Ultra-flexible springs withstand thousands of opening

Blind bolts to the exterior stops it being unscrewed and taken off from outside

Sleeve designed for different door thicknesses (20-40mm and 40-80mm)



Frame Size:

Distance between screw holes	272mm
Letterplate Length	300mm
Letterplate Height	65mm
Frame Material	Plastic
Cavity Hole Size	257mm x 42mm