

## Congratulations on your purchase!

We sincerely hope you are satisfied with your new product. Here are a few points to help you prolong the life of your feature.

# Installation Instruction

### Ambienté recommends



Fountain Safe should be used all year round. This will help to reduce maintenance and to maintain the lustre of your feature by slowing or stopping the build up of algae etc.

Frost Free should be added to the feature as the colder months draw in. It lowers the freezing point of water helping to prevent frost damage. If water freezes in a fountain, it will expand and crack the feature.



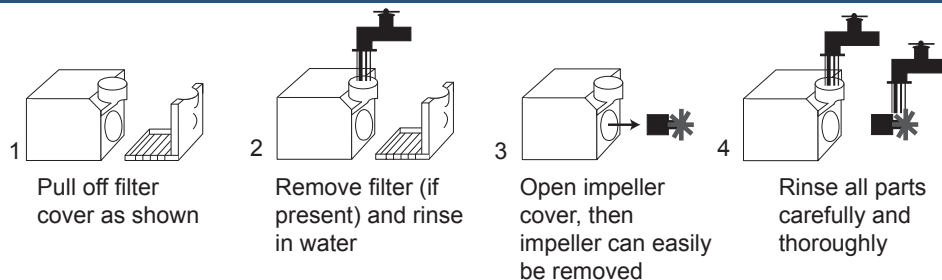
All water features should be drained, dried and covered before severe frost or snow.

For pumps to function properly, they need to be completely free of air bubbles. Whilst submerged, a gentle shake or tap should be sufficient to dislodge any such bubbles.

If excessive noise is coming from the pump this could be due to either trapped air or the pump rattling against the sides of the reservoir. Please ensure the pump is "suckered" to the base of the reservoir by the rubber feet.



### For regular pump maintenance



For more information:

Web: [www.ambientewaterfeatures.co.uk](http://www.ambientewaterfeatures.co.uk)

Address: Ambienté – Fynzi Limited, 173 Curie Avenue, Didcot, OX11 0QG

Phone number: UK: 0800 161 3832 Int: +44 (0)2087 785 612

Email: [info@ambientewaterfeatures.com](mailto:info@ambientewaterfeatures.com)

## 90cm Stainless Steel Waterfall Blade Cascade (Sheer descent)



## Installation Instruction



## 90cm Stainless Steel Waterfall Blade Cascade (Sheer descent)

### Step 1

Place reservoir into position onto a level surface.

Place pump into reservoir.

### Step 2

a) Connect ribbed hose to the pump and to the flow adjuster.

b) Connect the other ribbed hoses to the flow adjuster and the hose tail. Tighten with the jubilee clip.

c) Attach the hose tail to the inlet pipe on the cascade.

### Step 3

Fill reservoir with clean water and ensure pump is fully submerged.

### Step 4

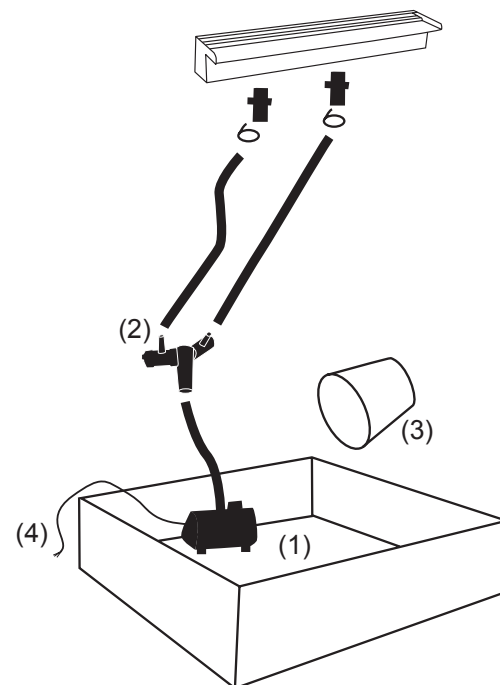
Connect the power cable, wait until trapped air has worked its way out of the pump.

Use the flow adjuster to adjust the flow of the water.



**As this pump is water cooled, allowing it to run dry may result in the pump burning out, invalidating the warranty.**

**DO NOT allow the pump to run dry!**



### Pump recommendations

See table for suggestions on which pump you should use for the height of your cascade.

Water Projection	Cascade Width	
	150cm	90cm
150cm	15000lph	
125cm	12000lph	
100cm	10000lph	

### Stainless Steel Maintenance

When maintaining your feature, it is important to adhere to the following points:

**Important** – Always use Ambienté fountain safe (see reverse of this leaflet) when filling the feature with water or just topping up the water level.

Do not use any other chemical water treatments such as salt water.

We do not recommend the use of fish or water plants with your stainless steel feature.

Do not use chlorine or bleach to clean the feature.

**Warning** – Always unplug the pump while cleaning the feature.

Should the pump cable or pump become damaged. You will need to replace the pump as the cable can not be replaced.

If you need to replace the pump please refer to the original pump and use the same specification as per the original order.

**Remember** – This feature will require maintenance.

Use non-abrasive soft cloths with clean water or a glass and hard surface cleaner to wipe over the surfaces. Abrasive polishes and cloths will scratch the finish.