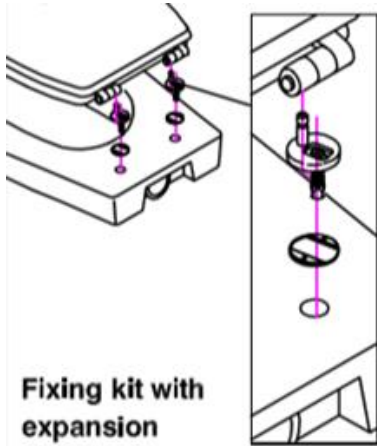


**DO NOT STAND  
ON THE SEAT!**

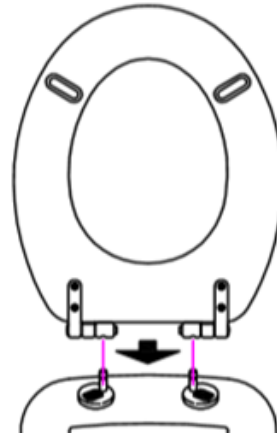
## Fitting Instructions

Step 1.



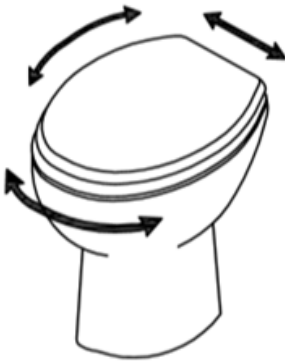
Insert the expansion fixing kit into the toilet bowl.

Step 2.



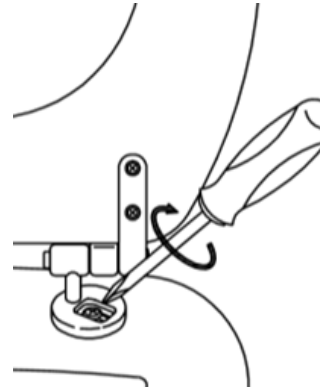
Carefully holding the toilet seat vertically, slide it down onto the metal pins – it will “CLICK” into place.

Step 3.



Lower the seat and carefully centre the seat on the toilet bowl.

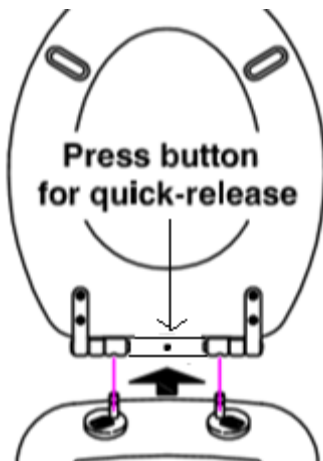
Step 4.



Slowly and carefully raise the seat vertically – and start tightening the screw. This expands the rubber bung and holds the seat firmly in position.

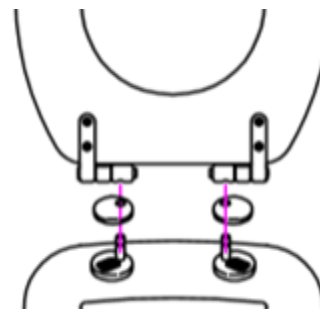
**WARNING – do not over tighten as this could damage the fixing or the toilet bowl.**

Step 5.



Press the centre quick release button and pull up to free the seat.

Step 6.



Place the cover disks over the pins and then replace the seat. Again, it will “CLICK” into place. Your seat is now ready for use.

**Cleaning and Maintenance** – Clean and inspect on a regular basis. Do not use any abrasive or corrosive cleaners or cleaning aids. Be careful with chemical and cosmetic products as these could damage the surface of the product.