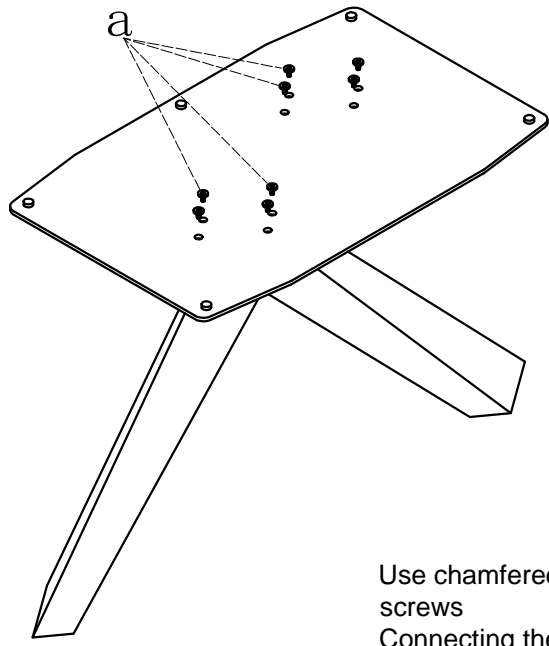
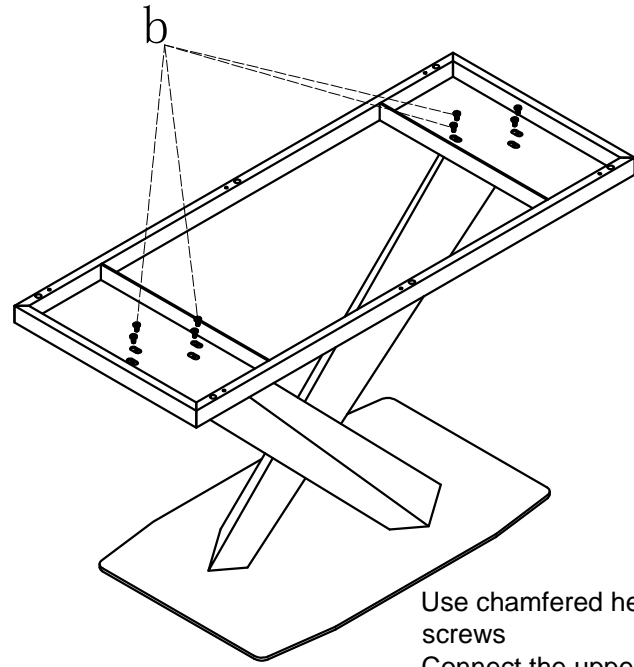


A



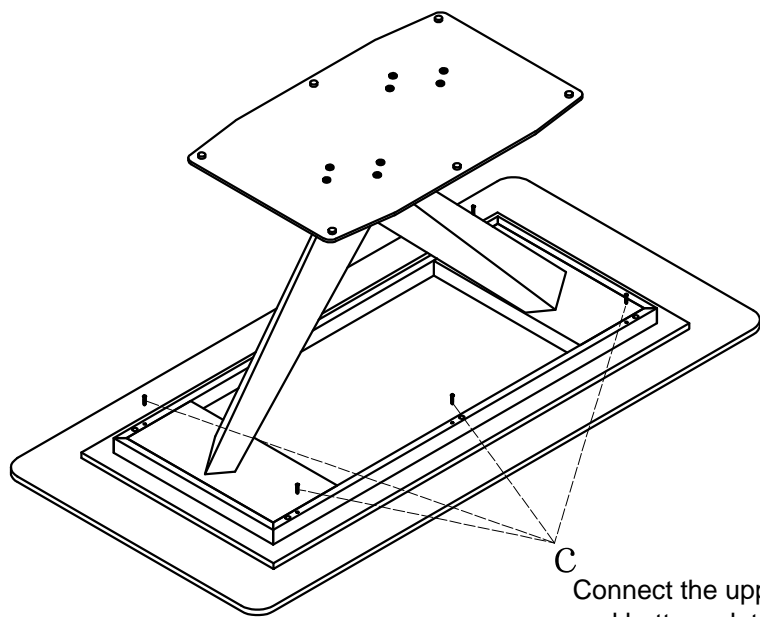
Use chamfered hexagonal screws  
Connecting the base plate and steel feet

B

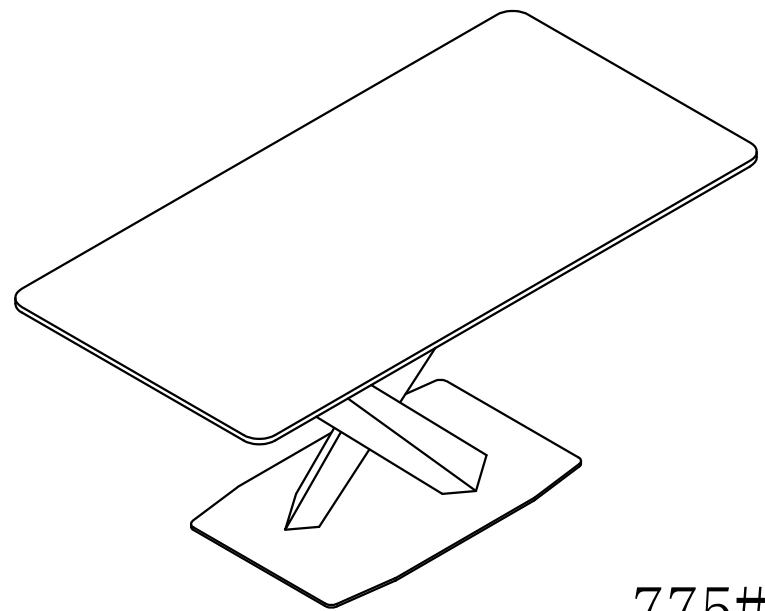


Use chamfered hexagonal screws  
Connect the upper frame and steel feet

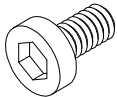
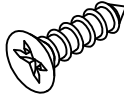
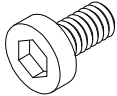
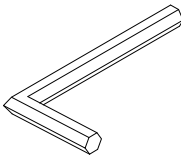
C



Connect the upper frame and bottom plate with self tapping screws



775#

NO.	Name	Size (mm)	QTY	NO.	Name	Size (mm)	QTY
a	 Six degree screws	M8*16	8	c	 Tapping Screws	4*14	6
b	 Half round hexagonal socket screw	M8*8	8		 Spanner	M5/M6	2